

PLEASE CHECK WWW.MOLEX.COM FOR LATEST PART INFORMATION

Part Number: [5019512010](#)
Status: **Active**
Description: 0.50mm (.020") Pitch Easy-On™ FFC/FPC Connector, Vertical, SMT, Gold Plating, 20 Circuits

Documents:

[3D Model](#) [Product Specification PS-501951-002 \(PDF\)](#)
[Drawing \(PDF\)](#) [RoHS Certificate of Compliance \(PDF\)](#)

General

Product Family FFC/FPC Connectors
 Series [501951](#)
 Product Name Easy-On™

Physical

Circuits (Loaded) 20
 Circuits (maximum) 20
 Color - Resin Brown, Natural
 Contact Position N/A
 Durability (mating cycles max) 20
 Entry Angle Vertical
 Mated Height (in) 0.159 In
 Mated Height (mm) 4.05 mm
 Material - Metal Phosphor Bronze
 Material - Plating Mating Gold
 Material - Plating Termination Gold
 Number of Rows 1
 Orientation Vertical
 PCB Locator No
 PCB Retention Yes
 Packaging Type Embossed Tape on Reel
 Pitch - Mating Interface (in) 0.020 In
 Pitch - Mating Interface (mm) 0.50 mm
 Pitch - Term. Interface (in) 0.020 In
 Pitch - Term. Interface (mm) 0.50 mm
 Polarized to PCB No
 Stackable No
 Surface Mount Compatible (SMC) Yes
 Temperature Range - Operating -25°C to +85°C
 Termination Interface: Style Surface Mount
 Wire/Cable Type FFC/FPC

Electrical

Current - Maximum per Contact 0.4A
 Voltage - Maximum 50V AC (RMS)/DC

Material Info

Reference - Drawing Numbers

Product Specification PS-501951-002, RPS-501951-001, RPS-501951-003, RPS-501951-004, RPS-501951-005, RPS-501951-006, RPS-501951-007, RPS-501951-009, RPS-501951-014, RPS-501951-015
 Sales Drawing SD-501951-003, SD-501951-004

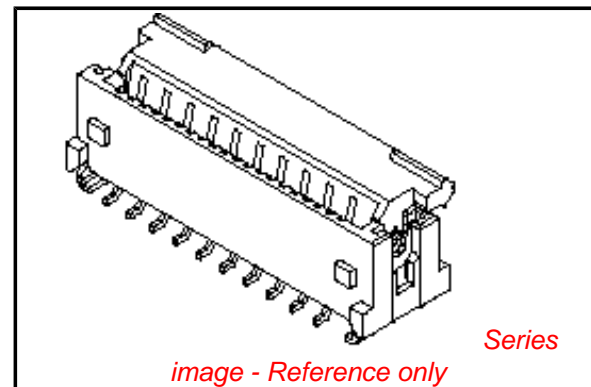


image - Reference only

EU RoHS

**ELV and RoHS
 Compliant**
REACH SVHC
 Not Reviewed
**Halogen-Free
 Status**

China RoHS



**Need more information on product
 environmental compliance?**

Email productcompliance@molex.com
 For a multiple part number RoHS Certificate of Compliance, [click here](#)

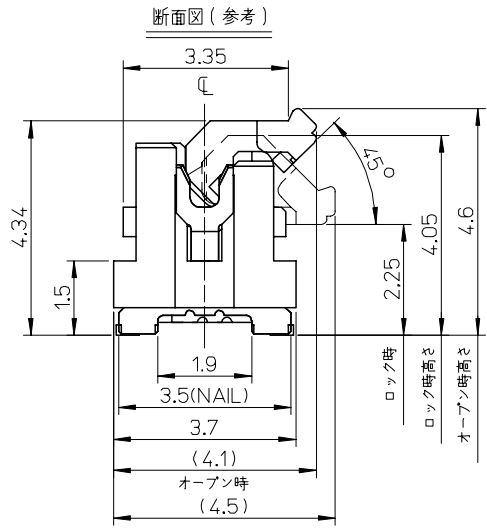
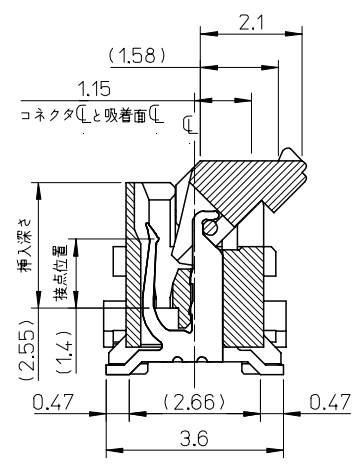
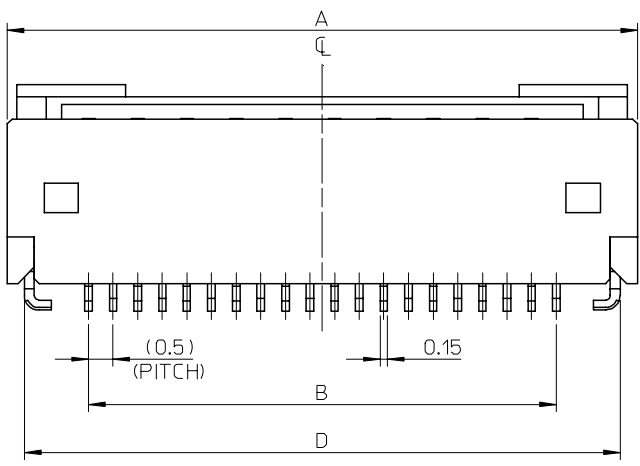
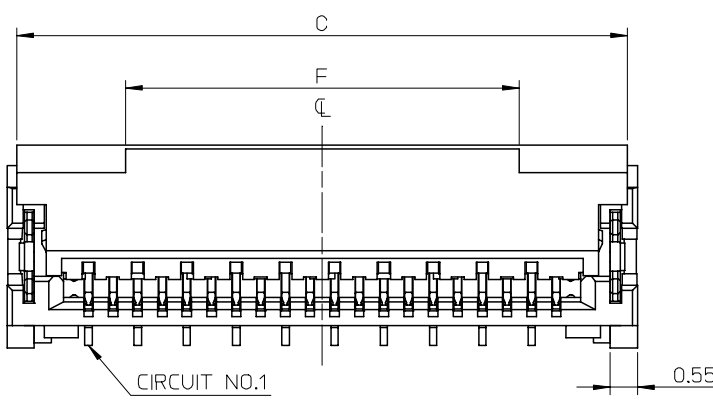
Please visit the [Contact Us](#) section for any non-product compliance questions.

Search Parts in this Series
[501951Series](#)

This document was generated on 04/19/2010

PLEASE CHECK WWW.MOLEX.COM FOR LATEST PART INFORMATION

10 9 8 7 6 5 4 3 2 1



注記 NOTES

- 使用材料 MATERIAL
 - ハウジング : 液晶ポリマー ガラス充填, UL94V-0(白)
 - HOUSING : LIQUID CRYSTAL POLYMER GLASS FILLED, UL94V-0 (WHITE)
 - アクチュエータ : ポリアミド 9T, ガラス充填, UL94V-0(茶)
 - ACTUATOR : POLYAMIDE 9T, GLASS FILLED, UL94V-0 (BROWN)
 - ターミナル : 銅合金(1=0.15)
 - TERMINAL : COPPER ALLOY
 - 金具 : 銅合金(1=0.2)
 - FITTING NAIL : COPPER ALLOY
 - めっき仕様 PLATING
 - ターミナル TERMINAL : ニッケル下鍍金めっき GOLD(AU) OVER NICKEL(NI) PLATING.
 - 金具 FITTING NAIL : ニッケル下鍍金めっき TIN(Sn) OVER NICKEL(NI) PLATING.
 - テールと金具を併せた平坦度は 0.1ミリメートル以下(リフロー前) TAILS AND NAILS COPLANARITY TO BE 0.1 MAX. (BEFORE REFLOW)
 - ELV及びRoHS適合品 ELV AND RoHS COMPLIANT
- ⚠ R0.3は、FPC導体部にかからないこと。 R0.3 MUST NOT BE OVERLAPPED TO PATTERN OF FPC.

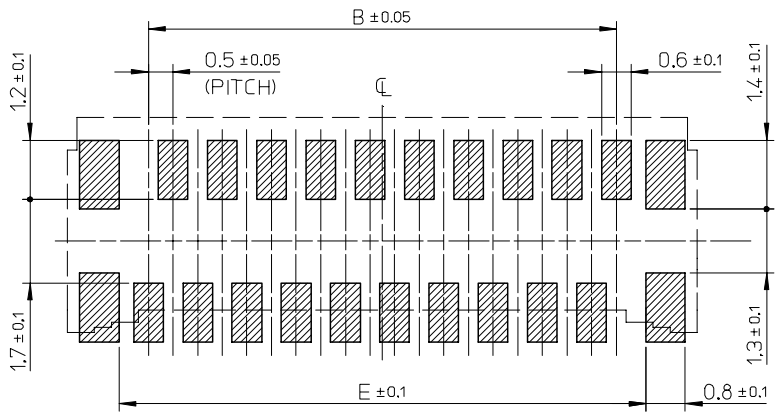
8	35.7	37.1	37.4	34.5	37.8	501951-7019	70
	30.7	32.1	32.4	29.5	32.8	501951-6019	60
	25.7	27.1	27.4	24.5	27.8	501951-5019	50
	23.2	24.6	24.9	22	25.3	501951-4519	45
	20.7	22.1	22.4	19.5	22.8	501951-4019	40
	16.7	18.1	18.4	15.5	18.8	501951-3219	32
	15.7	17.1	17.4	14.5	17.8	501951-3019	30
	12.7	14.1	14.4	11.5	14.8	501951-2419	24
	11.7	13.1	13.4	10.5	13.8	501951-2219	22
	10.7	12.1	12.4	9.5	12.8	501951-2019	20
F	E	D	C	B	A	MATERIAL NO.	CIRCUITS

REVISED EC NO: J2008-1229 DRW:HYAJIMA 2007/10/11 CHKD:THARUYAMA 2007/10/11 APPR:NUKITA 2007/10/12	GENERAL TOLERANCES (UNLESS SPECIFIED)		DIMENSION STYLE MM ONLY		SCALE 10:1	DESIGN UNITS METRIC	THIRD ANGLE PROJECTION	
	10 UNDER	±0.2	DRAWN BY TRSUZUKI		DATE 2006/08/21	TITLE 0.5 FPC CONN. HSG ASSY EASY ON / STRAIGHT (GOLD)		
	10 OVER 30 UNDER	±0.25	CHECKED BY HHIRATA		DATE 2006/08/21	MOLEX INCORPORATED		
	30 OVER	±0.3	APPROVED BY MSASAO		DATE 2006/08/21			
	ANGULAR	±1 °	MATERIAL NO.		DOCUMENT NO.	SHEET NO. 1 OF 2		
DRAFT WHERE APPLICABLE MUST REMAIN WITHIN DIMENSIONS		SEE CHART		SD-501951-003				

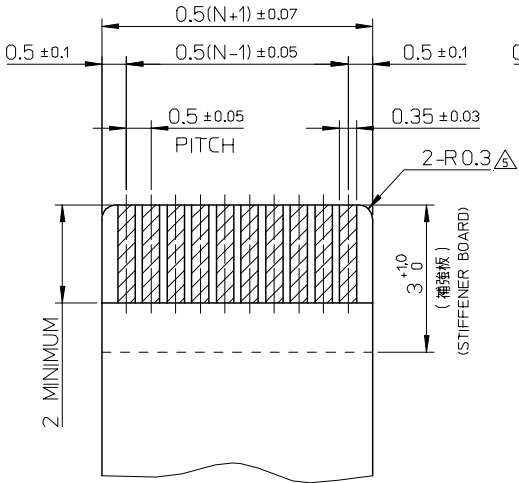
10 9 8 7 6 5 4 3 2 1

F
E
D
C
B
A

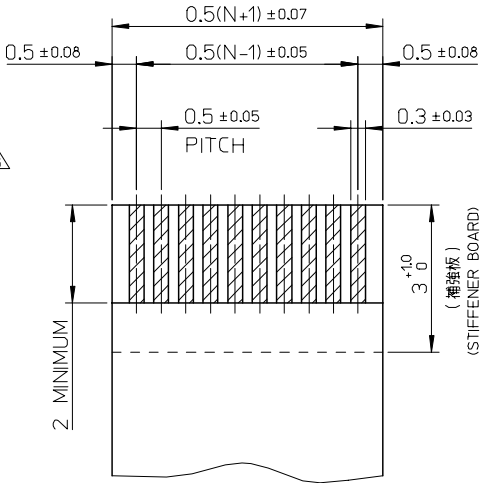
F
E
D
C
B
A



参考基板レイアウト(マウント面)
P.C. BOARD PATTERN DIMENSION (REF.)
(MOUNT AREA)



適合FPC推奨寸法
APPLICABLE FPC
RECOMMENDED DIMENSION
(仕上がり厚さ: 0.3 ± 0.03)
(THICKNESS: 0.3 ± 0.03)
N: 極数
N: CIRCUITS

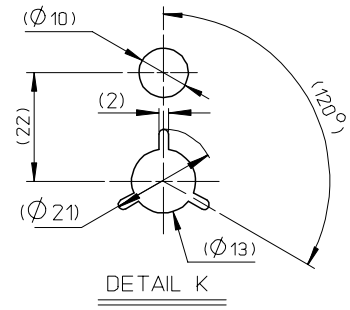
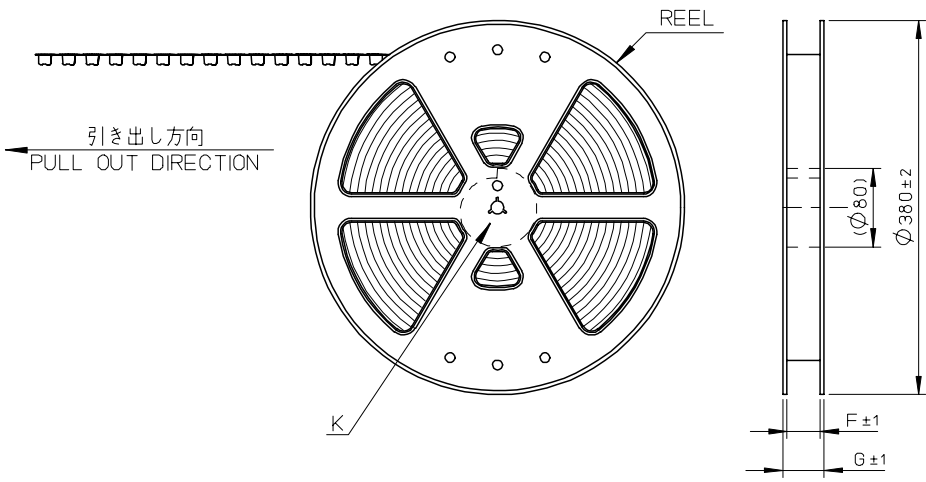


適合FFC推奨寸法
APPLICABLE FFC
RECOMMENDED DIMENSION
(仕上がり厚さ: 0.3 ± 0.03)
(THICKNESS: 0.3 ± 0.03)
N: 極数
N: CIRCUITS

FPC について:
打ち抜き方向は導体側から補強板側を推奨します。
導体部については軟銅箔35 μ mまたは50 μ mを推奨します。
補強フィルム材質はポリイミドを推奨します。ベースフィルムは25 μ mを推奨します。
接着剤は熱硬化接着剤を推奨します。
尚、接着剤の接点部への付着は導通不良の原因になりますので、染み出しが無い様お願い致します。

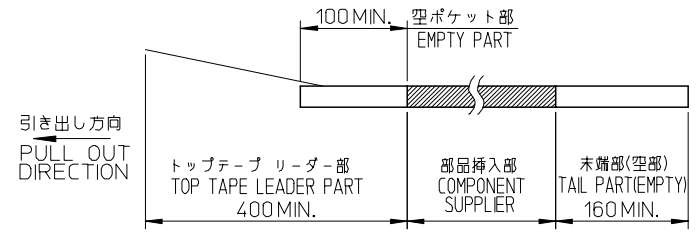
ABOUT FPC
RECOMMENDED PUNCHER DIRECTION : FROM CONDUCTOR SIDE TO STIFFENER FILM SIDE.
RECOMMENDED CONDUCTOR SPEC :
THICKNESS OF SOFT COPPER FOIL : 35 MICROMETER OR 50 MICROMETER.
RECOMMENDED MATERIAL/THICKNESS.
STIFFENER FILM : POLYIMIDE
BASE FILM THICKNESS : 25 μ m
BONDING AGENT : THERMOSETTING BONDING AGENT
PLEASE PUT APPROPRIATE AMOUNT OF ADHESIVE ON ADHEREND BECAUSE THERE IS A POSSIBILITY THAT THE EXTRA ADHESIVE CAUSES THE DEFECT IN ELECTRICAL CONTINUITY.

SEE SHEET 1 EC NO: J2008-1229 DRAWN BY: DRW:HYAJIMA 2007/10/11 CHKD: THARUYAMA 2007/10/11 APPR: NUKITA 2007/10/12	GENERAL TOLERANCES (UNLESS SPECIFIED)		DIMENSION STYLE MM ONLY		SCALE ---	DESIGN UNITS METRIC	THIRD ANGLE PROJECTION	
	10 UNDER	± 0.2	DRAWN BY TRSUZUKI	DATE 2006/08/21	TITLE 0.5 FPC CONN. HSG ASSY EASY ON / STRAIGHT (GOLD)			
	10 OVER 30 UNDER	± 0.25	CHECKED BY HIRATA	DATE 2006/08/21				
	30 OVER	± 0.3	APPROVED BY MSASAO	DATE 2006/08/21	MOLEX INCORPORATED			
	ANGULAR	± 1 °	MATERIAL NO.					
DRAFT WHERE APPLICABLE MUST REMAIN WITHIN DIMENSIONS		SEE SHEET 1						



NOTES

- 製品詳細寸法については図面 SD-501951-003を参照下さい。
FOR DIMENSIONS OF PRODUCT, REFER TO RSD-501951-007.
- 梱包数量 : 2000個/リール
NUMBER OF CONNECTORS : 2000PIECES/REEL
- リードテープ長さ
LEAD TAPE LENGTH



4. 材料 MATERIAL

キャリアテープ : ポリプロピレン
CARRIER TAPE : POLYPROPYLENE
トップテープ : ポリエチレンテレフタレート, ポリエチレン
TOP TAPE : POLYETHYLENE TEREPHTHALATE , POLYETHYLENE
リール : ポリスチレン<リサイクル材を含む>
REEL : POLYSTYRENE<RECYCLE MATERIAL CONTAINED>

5. ELV及びRoHS適合品 ELV AND RoHS COMPLIANT

REVISED EC NO: J2008-1229 DRW:HYAJIMA 2007/10/11 CHKD:THARUYAMA 2007/10/11 APPR:NUKITA 2007/10/12	GENERAL TOLERANCES (UNLESS SPECIFIED)		DIMENSION STYLE MM ONLY		SCALE ---	DESIGN UNITS METRIC	THIRD ANGLE PROJECTION	
	10 UNDER	±0.2	DRAWN BY TRSUZUKI	DATE 2006/09/05	TITLE 0.5 FPC CONN. HSG ASSY E/O STRAIGHT EMBSTP PKG (GOLD)			
	10 OVER 30 UNDER	±0.25	CHECKED BY HIRATA	DATE 2006/09/05	APPROVED BY MSASAO			
	30 OVER	±0.3	APPROVED BY MSASAO		DATE 2006/09/05	MOLEX INCORPORATED		
	ANGULAR	±1 °	MATERIAL NO. SEE SHEET 2		DOCUMENT NO. SD-501951-004	SHEET NO. 1 OF 2		
DRAFT WHERE APPLICABLE MUST REMAIN WITHIN DIMENSIONS		THIS DRAWING CONTAINS INFORMATION THAT IS PROPRIETARY TO MOLEX INCORPORATED AND SHOULD NOT BE USED WITHOUT WRITTEN PERMISSION						

10 9 8 7 6 5 4 3 2 1

F

E

D

C

B

A

F

E

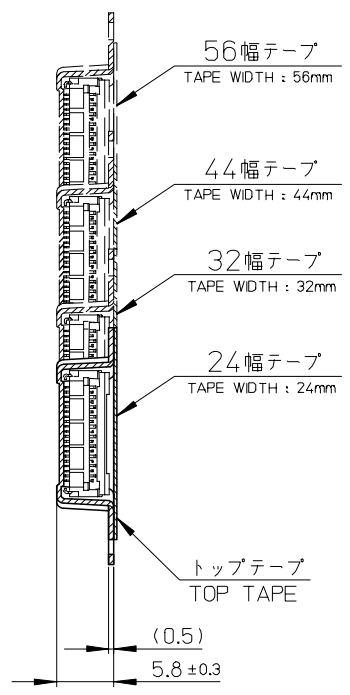
D

C

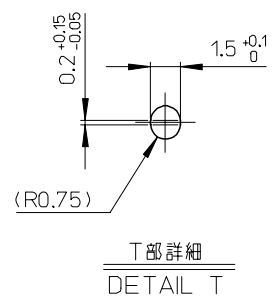
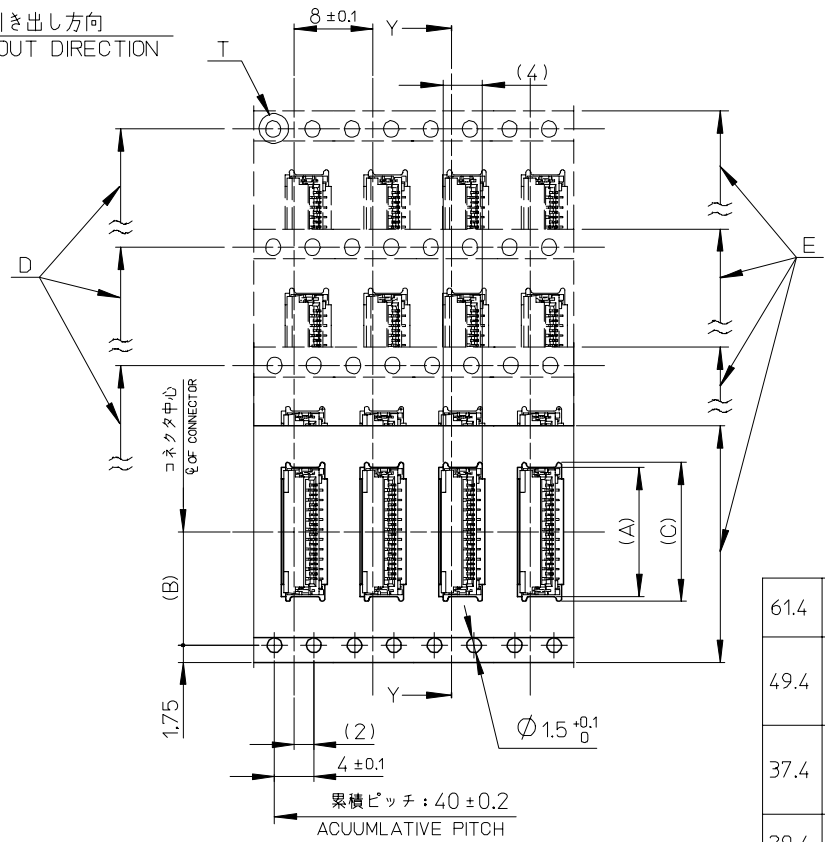
B

A

引き出し方向
PULL OUT DIRECTION



断面 Y-Y
SECTION Y-Y



61.4	57.4	56±0.3	52.4	39.1	26.2	38.1	501951-7010	70
				34.1		33.1	501951-6010	60
49.4	45.4	44±0.3	40.4	29.1	20.2	28.1	501951-5010	50
				24.1		25.6	501951-4510	45
				20.1		23.1	501951-4010	40
37.4	33.4	32±0.3	28.4	19.1	14.2	19.1	501951-3210	32
				16.1		18.1	501951-3010	30
				15.1		15.1	501951-2410	24
29.4	25.4	24±0.3		14.1	11.5	14.1	501951-2210	22
				14.1		13.1	501951-2010	20
G	F	E キャリアテープ幅 CARRIER TAPE WIDTH	D	(C)	(B)	(A)	製品番号 MATERIAL NO.	極数 CIRCUITS

SEE SHEET 1 EC NO: J2008-1229 DRW: HVAJIMA 2007/10/11 CHKD: THARUYAMA 2007/10/11 APPR: NUKITA 2007/10/12	GENERAL TOLERANCES (UNLESS SPECIFIED)		DIMENSION STYLE MM ONLY		SCALE ---	DESIGN UNITS METRIC	THIRD ANGLE PROJECTION	
	10 UNDER	±0.2	DRAWN BY TRSUZUKI	DATE 2006/09/05	TITLE 0.5 FPC CONN. HSG ASSY E/O STRAIGHT EMBSTP PKG (GOLD)			
	10 OVER 30 UNDER	±0.25	CHECKED BY HIRATA	DATE 2006/09/05	MOLEX INCORPORATED			
	30 OVER	±0.3	APPROVED BY MSASAO	DATE 2006/09/05	DOCUMENT NO. SD-501951-004			
	ANGULAR	±1 °	MATERIAL NO.		SHEET NO. 2 OF 2			
DRAFT WHERE APPLICABLE MUST REMAIN WITHIN DIMENSIONS		SEE CHART						
THIS DRAWING CONTAINS INFORMATION THAT IS PROPRIETARY TO MOLEX INCORPORATED AND SHOULD NOT BE USED WITHOUT WRITTEN PERMISSION								