

**PLEASE CHECK WWW.MOLEX.COM FOR LATEST PART INFORMATION**

**Part Number:** [0900750139](#)  
**Status:** **Active**  
**Overview:** [modular\\_plugs\\_jacks](#)  
**Description:** Modular Plug, Short Body, 8/8

**Documents:**

[3D Model](#) [Product Specification PS-90075 \(PDF\)](#)  
[Drawing \(PDF\)](#) [RoHS Certificate of Compliance \(PDF\)](#)

**Agency Certification**

UL E107635

**General**

Product Family Modular Jacks/Plugs  
 Series [90075](#)  
 Component Type Wire Plug  
 Magnetic No  
 Overview [modular\\_plugs\\_jacks](#)  
 Performance Category 3  
 Power over Ethernet (PoE) N/A  
 Product Name RJ45

**Physical**

Boot Color N/A  
 Breakaway No  
 Circuits (maximum) 8  
 Color - Resin Clear  
 Durability (mating cycles max) 500  
 Flammability 94V-0  
 Inverted / Top Latch N/A  
 Lightpipes/LEDs None  
 Material - Metal Phosphor Bronze  
 Material - Plating Mating Gold  
 Material - Plating Termination Tin  
 Material - Resin Polycarbonate  
 Number of Rows 1  
 Orientation N/A  
 PCB Retention None  
 Packaging Type Reel  
 Pitch - Mating Interface (in) 0.040 In  
 Pitch - Mating Interface (mm) 1.02 mm  
 Pitch - Term. Interface (in) 0.040 In  
 Pitch - Term. Interface (mm) 1.02 mm  
 Plating min: Mating (µin) 50.8  
 Plating min: Mating (µm) 1.27  
 Plating min: Termination (µin) 50  
 Plating min: Termination (µm) 1.27  
 Ports 1  
 Positions / Loaded Contacts 8/8  
 Surface Mount Compatible (SMC) No  
 Temperature Range - Operating -40°C to +60°C  
 Termination Interface: Style N/A  
 Waterproof / Dustproof No  
 Wire/Cable Type Flat Oval

**Electrical**

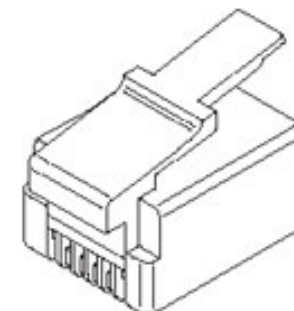


image - Reference only

Series

**EU RoHS**

**ELV and RoHS  
Compliant**  
**REACH SVHC**  
 Not Reviewed  
**Halogen-Free  
Status**

**China RoHS**



**Need more information on product  
environmental compliance?**

Email [productcompliance@molex.com](mailto:productcompliance@molex.com)  
 For a multiple part number RoHS Certificate of  
 Compliance, [click here](#)

Please visit the [Contact Us](#) section for any  
 non-product compliance questions.

**Search Parts in this Series**

[90075Series](#)

**Mates With**

FCC 68 Jacks...

**Application Tooling | FAQ**

*Tooling specifications and manuals are  
 found by selecting the products below.  
 Crimp Height Specifications are then  
 contained in the Application Tooling  
 Specification document.*

**Global**

Description	Product #
Arbor Press Fixture for 90075, Modular Plug, FCC 68, Short Body, 8/8 Circuit	<a href="#">0690200140</a>
Parallel Action Handtool for 90075 Modular Plug, FCC 68, 8/8 Circuit, Short Body	<a href="#">0690081124</a>

Current - Maximum per Contact	1.5A
Grounding to Panel	N/A
Shielded	No
Voltage - Maximum	125V DC

Mini-Mac™ Fully Tooled	<u>0690371190</u>
---------------------------	-------------------

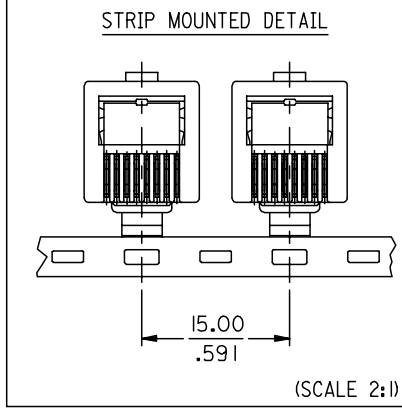
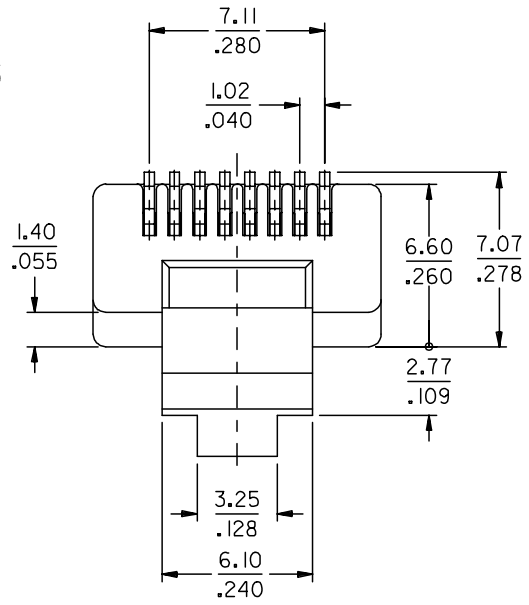
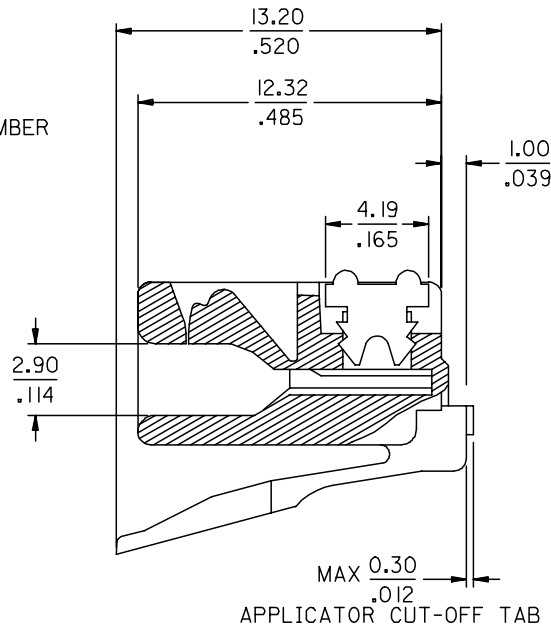
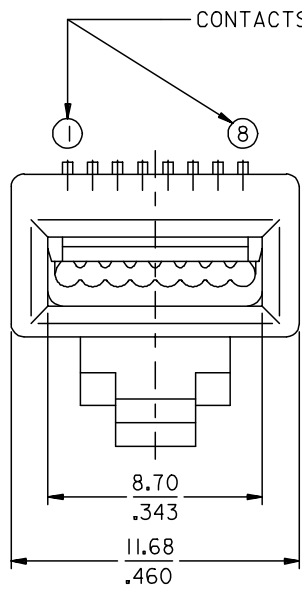
### **Material Info**

### **Reference - Drawing Numbers**

Application Specification	AS-90075
Product Specification	PS-90075
Sales Drawing	SDA-90075

This document was generated on 06/08/2010

**PLEASE CHECK [WWW.MOLEX.COM](http://WWW.MOLEX.COM) FOR LATEST PART INFORMATION**



**NOTES:**

- 1- MATERIAL:  
 HOUSING: POLYCARBONATE CLEAR.  
 TERMINAL: (0.38)/.015 THICK PHOSPHOR BRONZE.  
 PLATING: (1.27)/0.050 MIN. GOLD IN CONTACT AREA  
 (0.00127)/.000050 MIN. PURE TIN IN PIERCE AREA BOTH  
 OVER (0.00127)/.000050 MIN. NICKEL.
- 2- PRODUCT INTENDED TO TERMINATE FLAT OVAL CABLE  
 CONFORMING TO REA BULLETIN 345-80-PE 75 HAVING  
 (0.94)/.037 Ø MAXI OVER CONDUCTORS INSULATION.
- 3- PRODUCT SPECIFICATION: PS-90075
- 4- APPLICATION SPECIFICATION: AS-90075.

CKTS	NUMBER OF LOADED CONTACTS	STRIP MOUNTED		LOOSE PIECE	
		PART NUMBER	TOOLED	PART NUMBER	TOOLED
8	8	90075-0139	YES	90075-0141	YES

2	N
1	NI

EC NO: MG2005-0418 DRWN: MARTIN 2005/06/16 CHKD: FCARABETTA 2005/06/16 APPR: KNOLLER 2005/06/16	DESCRIPTION N1	QUALITY SYMBOLS ▽=0 ▽=0	GENERAL TOLERANCES (UNLESS SPECIFIED)	DIMENSION STYLE MM/IN	SCALE 5:1	DESIGN UNITS METRIC	THIRD ANGLE PROJECTION													
		<table border="1"> <tr> <th></th> <th>mm</th> <th>INCH</th> </tr> <tr> <td>4 PLACES</td> <td>± ---</td> <td>± ---</td> </tr> <tr> <td>3 PLACES</td> <td>± ---</td> <td>± .010</td> </tr> <tr> <td>2 PLACES</td> <td>± 0.25</td> <td>± .014</td> </tr> <tr> <td>1 PLACE</td> <td>± 0.35</td> <td>± ---</td> </tr> </table>		mm	INCH	4 PLACES	± ---	± ---	3 PLACES	± ---	± .010	2 PLACES	± 0.25	± .014	1 PLACE	± 0.35	± ---	DRAWN BY: FB CHECKED BY: TB APPROVED BY: JB	TITLE 8 POSITIONS MODULAR PLUG W.E. TYPE	MOLEX INCORPORATED DOCUMENT NO. SDA-90075 SHEET NO. 1 OF 2
			mm	INCH																
		4 PLACES	± ---	± ---																
3 PLACES	± ---	± .010																		
2 PLACES	± 0.25	± .014																		
1 PLACE	± 0.35	± ---																		
DRAFT WHERE APPLICABLE MUST REMAIN WITHIN DIMENSIONS	SEE CHART																			
THIS DRAWING CONTAINS INFORMATION THAT IS PROPRIETARY TO MOLEX INCORPORATED AND SHOULD NOT BE USED WITHOUT WRITTEN PERMISSION																				