

**PLEASE CHECK WWW.MOLEX.COM FOR LATEST PART INFORMATION**

**Part Number:** [0190070082](#)  
**Status:** **Active**  
**Description:** InsulKrimp™ Female Fully Insulated Quick Disconnect Flag for 10-12 AWG Wire, Tab 6.35mm (.250") x .813mm (.032"), 94 V-0 Material

**Documents:**

[Drawing \(PDF\)](#) [RoHS Certificate of Compliance \(PDF\)](#)  
[Product Specification PS-19902-008 \(PDF\)](#)

**Agency Certification**

UL E79133

**General**

Product Family Quick Disconnects  
 Series [19007](#)  
 Crimp Quality Equipment Yes  
 Product Name InsulKrimp™  
 Type Quick Disconnect

**Physical**

Barrel Type Closed  
 Color - Resin Natural  
 Flammability 94V-0  
 Gender Female  
 Glow-Wire Compliant No  
 Insulation Nylon (PA)  
 Lock to Mating Part None  
 Material - Resin Nylon  
 Orientation Flag  
 Packaging Type Bag  
 Polarized to Mating Part No  
 Tab Thickness 0.81mm (.032")  
 Tab Width 6.35mm (.250")  
 Temperature Range - Operating -65°C to +105°C  
 Wire Insulation Diameter 6.60mm (.260")  
 Wire Size AWG 10, 12  
 Wire Size mm<sup>2</sup> 2.70 - 6.60

**Electrical**

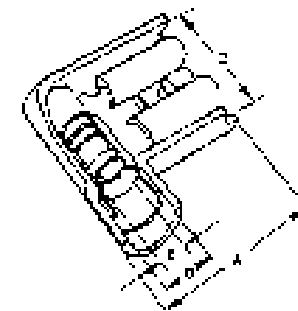
Voltage - Maximum 600V

**Material Info**

Old Part Number C-2211V

**Reference - Drawing Numbers**

Product Specification PS-19902-008  
 Sales Drawing SD-19007-004



*Series  
image - Reference only*

**EU RoHS**

**ELV and RoHS  
Compliant**  
**REACH SVHC**  
 Not Reviewed  
**Halogen-Free  
Status**

**China RoHS**



**Not Reviewed**

**Need more information on product  
environmental compliance?**

Email [productcompliance@molex.com](mailto:productcompliance@molex.com)  
 For a multiple part number RoHS Certificate of Compliance, [click here](#)

Please visit the [Contact Us](#) section for any non-product compliance questions.

**Search Parts in this Series**

[19007Series](#)

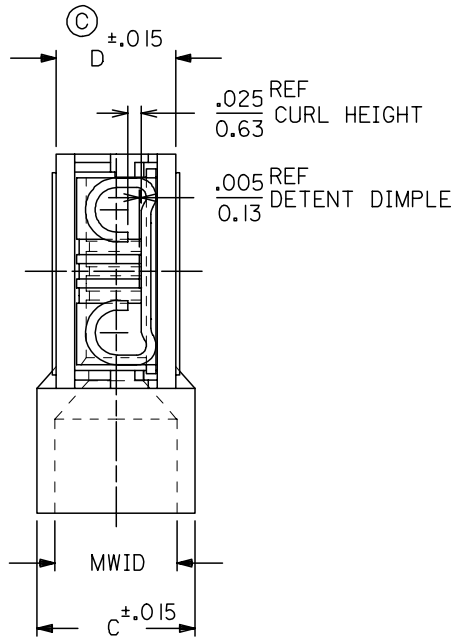
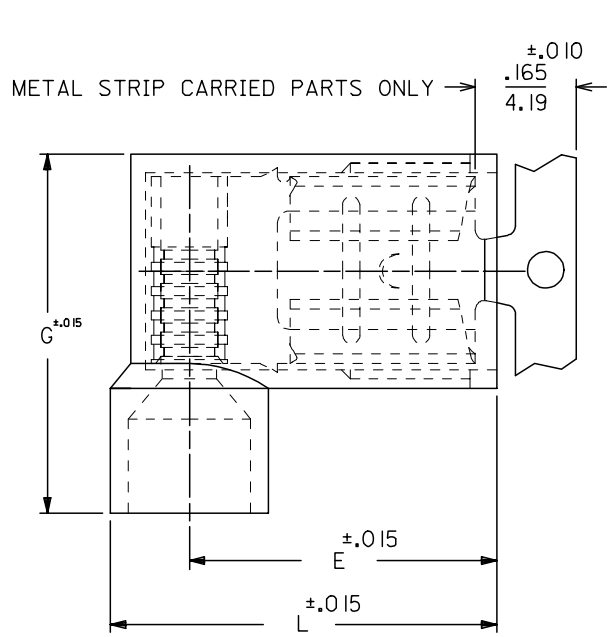
**Application Tooling | [FAQ](#)**

*Tooling specifications and manuals are found by selecting the products below. Crimp Height Specifications are then contained in the Application Tooling Specification document.*

**Global**

Description	Product #
Hand Crimp Tool	<a href="#">0640012800</a>
Crimp Head for the AT-200™ Pneumatic Hand Tool	<a href="#">0640052800</a>

MATERIAL NUMBER	ENGINEERING NUMBER	CARRIER STYLE	AWG	COLOR	MWID	L	G	E	C	D (C)
190070001	AA-2220	LOOSE	22-18	RED	.176/4.47	.630/16.00	.585/14.86	.512/13.00	.236/5.99	.197/5.00
190070005	AA-2220X	LOOSE	22-18	RED	.240/6.10	.662/16.81	.625/15.88	.512/13.00	.300/7.26	.197/5.00
190070021	BB-2221	LOOSE	16-14	BLUE	.200/5.08	.630/16.00	.585/14.86	.500/12.70	.260/6.60	.197/5.00
190070025	BB-2221X	LOOSE	16-14	BLUE	.265/6.73	.670/17.02	.625/15.88	.500/12.70	.325/8.26	.197/5.00
190070040	C-2211	LOOSE	12-10	YELLOW	.260/6.60	.667/16.93	.677/17.20	.511/12.98	.311/7.90	.246/6.25
190070008	AA-2220Z	METAL STRIP	22-18	RED	.176/4.47	.630/16.00	.585/14.86	.512/13.00	.236/5.99	.197/5.00
190070007	AA-2220XZ	METAL STRIP	22-18	RED	.240/6.10	.662/16.81	.625/15.88	.512/13.00	.300/7.26	.197/5.00
190070028	BB-2221Z	METAL STRIP	16-14	BLUE	.200/5.08	.630/16.00	.585/14.86	.500/12.70	.260/6.60	.197/5.00
190070027	BB-2221XZ	METAL STRIP	16-14	BLUE	.265/6.73	.670/17.02	.625/15.88	.500/12.70	.325/8.26	.197/5.00
190070041	C-2211Z	METAL STRIP	12-10	YELLOW	.260/6.60	.667/16.93	.677/17.20	.511/12.98	.311/7.90	.246/6.25



- NOTES:
1. MWID = MAX. WIRE INSULATION DIA.
  2. ALL DIMENSIONS = INCHES/MM
  3. MATERIAL:  
HOUSING: NYLON  
TERMINAL: TIN PLATED BRASS
  4. ASSEMBLY IS ROHS COMPLIANT.

REDWN W/DIM. D ADDED EC NO: ETC2007-0229 DRW: NEHLE 2006/12/15 CHKD: JMACNEIL 2006/12/15 APPR: JMACNEIL 2006/12/15	QUALITY SYMBOLS ▽=0 ▽=0	GENERAL TOLERANCES (UNLESS SPECIFIED)		DIMENSION STYLE	SCALE	DESIGN UNITS	THIRD ANGLE PROJECTION	
		mm	INCH	IN/MM	5:1	INCH		
		4 PLACES ±---	±---	DRAWN BY	DATE	TITLE		
		3 PLACES ±---	±.005	RCM	1989/07/26	FLAG QUICK DISCONNECT, FULLY INSULATED, .250 X .032 TAB SIZE		
2 PLACES ±0.13	±.01	JM	1989/07/26	APPROVED BY				
1 PLACE ±0.25	±---	FP	1989/07/26	DATE				
ANGULAR ±1/2°		MATERIAL NO.		DOCUMENT NO.		SHEET NO.		
DRAFT WHERE APPLICABLE MUST REMAIN WITHIN DIMENSIONS		SEE CHART		SD-19007-004		1 OF 1		
SIZE B				THIS DRAWING CONTAINS INFORMATION THAT IS PROPRIETARY TO MOLEX INCORPORATED AND SHOULD NOT BE USED WITHOUT WRITTEN PERMISSION				