



**Hall Effect Sensor IC with Complementary Output Drivers and Frequency Generator**

**Features:**

- Operate from 2.8V to 20V supply voltage.
- On-chip Hall sensor.
- Internal bandgap regulator allows temperature compensated operations and a wide operating voltage range.
- High output sinking capability up to 400mA for driving large load.
- Lower current change rate reduces the peak output voltages during switching.
- Available in rugged low profile SIP-4L/SIP-5L packages.
- Built-in protection diode for reverse power supply fault.

**General Description:**

WSH410 is designed to integrate Hall sensor with complementary output drivers and frequency generator together on the same chip, it is suitable for speed measurement, revolution counting, positioning, and DC brushless motors. It includes a temperature compensated voltage regulator, a differential amplifier, a Hysteresis controller, two open-collector output drivers capable of sinking 400mA current load. An on-chip protection diode is implemented to prevent reverse power fault.

The temperature-dependent bias increases the supply voltage of the hall plates and adjusts the switching points to the decreasing induction of magnets at higher temperatures. Subsequently, the open collector output switches to the appropriate state. WSH410 are rated for operation over temperature range from -20° C to 125°C and voltage ranges from 2.8V to 20V.

**Pin Descriptions: SIP-4L**

Name	P/I/O	Pin#	Description
Vcc	P	1	Positive Power Supply
OUT1	O	2	Output Pin #1
OUT2	O	3	Output Pin #2
Vss	P	4	Ground

Winson reserves the right to make changes to improve reliability or manufacturability.



**Pin Descriptions: SIP-5L**

Name	P/I/O	Pin#	Description
Vcc	P	1	Positive Power Supply
OUT1	O	2	Output Pin #1
OUT2	O	3	Output Pin #2
FG	O	4	Frequency Generator
Vss	P	5	Ground

**Absolute Maximum Rating (at Ta=25° C)**

Supply Voltage	Vcc	-----	20V	
Output / FG breakdown Voltage	Vout/Vfg	-----	25V	
Magnetic flux density	B	-----	Unlimited	
Reverse Protection Voltage	Vr	-----	20V	
Output Current	Ic	-----	300mA	
	Hold current	Ih	-----	400mA
	Peak current	Ip	-----	800mA
FG ON Current (continuous)	If	-----	20mA	
Operating Temperature Range	Ta	-----	(-20°C to +125°C)	
Storage Temperature Range	Ts	-----	(-65°C to +150°C)	
Package Power Dissipation	Pd	-----	500mw for SIP-4L	

SIP-5L

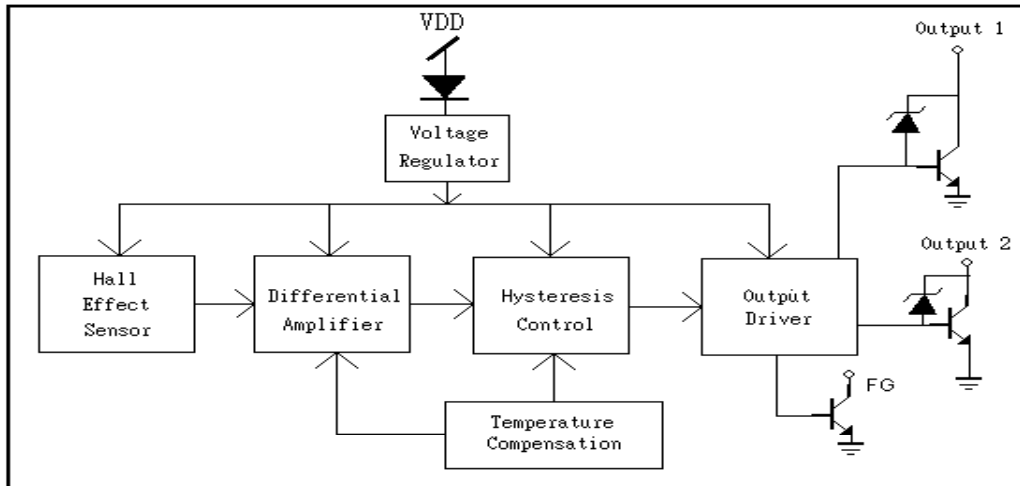
**Electrical Characteristics:**

(T=+25° C, Vcc=2.8V to 20V)

Characteristic	Symbol	Test Conditions	Min	Typ	Max	Units
Supply Voltage	Vcc	—	2.8	—	20	V
Output Saturation Voltage	Vout(sat)	Vcc=20V, Ic=200mA B > Bop	—	0.2	0.4	V
FG Saturation Voltage	Vfg(sat)	Vcc=20V, If=10mA B > Bop	—	0.15	0.4	V
Output Leakage Current	Ileakage	Vcc=20V, B < Brp	—	<0.1	10	UA
Supply Current	Isupply	Vcc=20V, Output & FG Open	—	14	25	MA
Output / FG Rising Time	Tr	Vcc=12V, RL=820Ω CL=20Pf	—	3.0	10	Us
Output / FG Falling Time	Tf	Vcc=12V, RL=820Ω CL=20Pf	—	0.3	1.5	Us
Output / FG Time Differential	△t	Vcc=12V, RL=820Ω CL=20Pf	—	0.3	3	Us

Winson reserves the right to make changes to improve reliability or manufacturability.

**Function Block:**



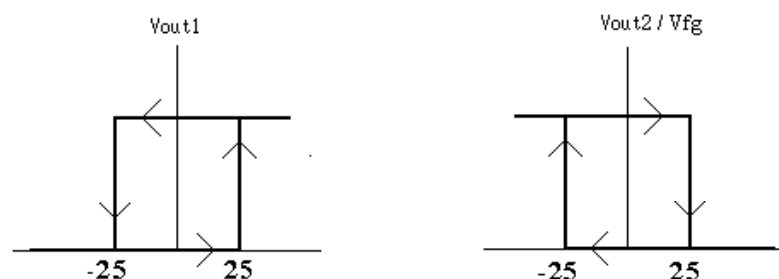
**Magnetic Characteristics:**

Characteristics	Symbol	Quantity	Ta= -20°C to +90°C		Unit
			Min	Typ. Max	
Operate Point	Bop		70	120	Gauss
Release Point	Brp		-120	-70	Gauss
Hysteresis Window	Bop-Brp		40	200	Gauss

**Ordering Information:**

SIP- 4L: WSH410-XPAN3	(120 Guass) <b>N:Non-lead Process</b>
SIP- 5L: WSH410-XPCN3	(120 Guass)

WSH410 Complementary Output1 vs.Output2/Vfg

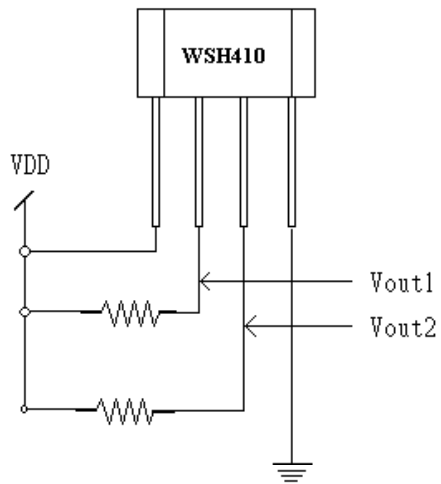


Magnetic Flux Density in Gauss

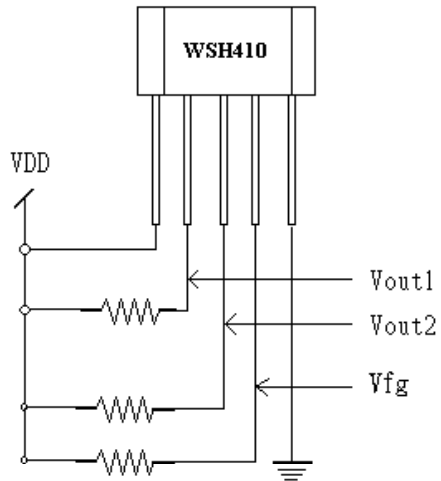
Winson reserves the right to make changes to improve reliability or manufacturability.

**Test Circuit:**

**SIP-4L**



**SIP-5L**

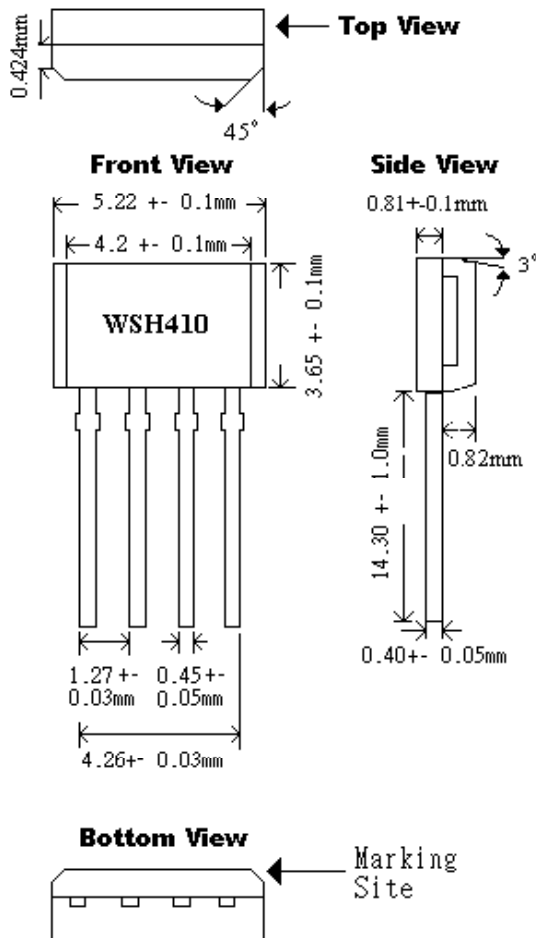


Winson reserves the right to make changes to improve reliability or manufacturability.

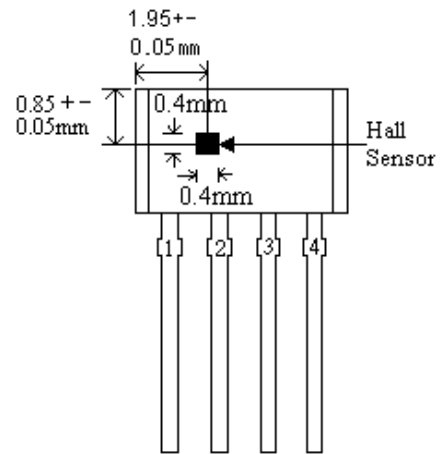
**Package Information:**

SIP-4L

**Package Dimension**



**Hall Sensor Location**

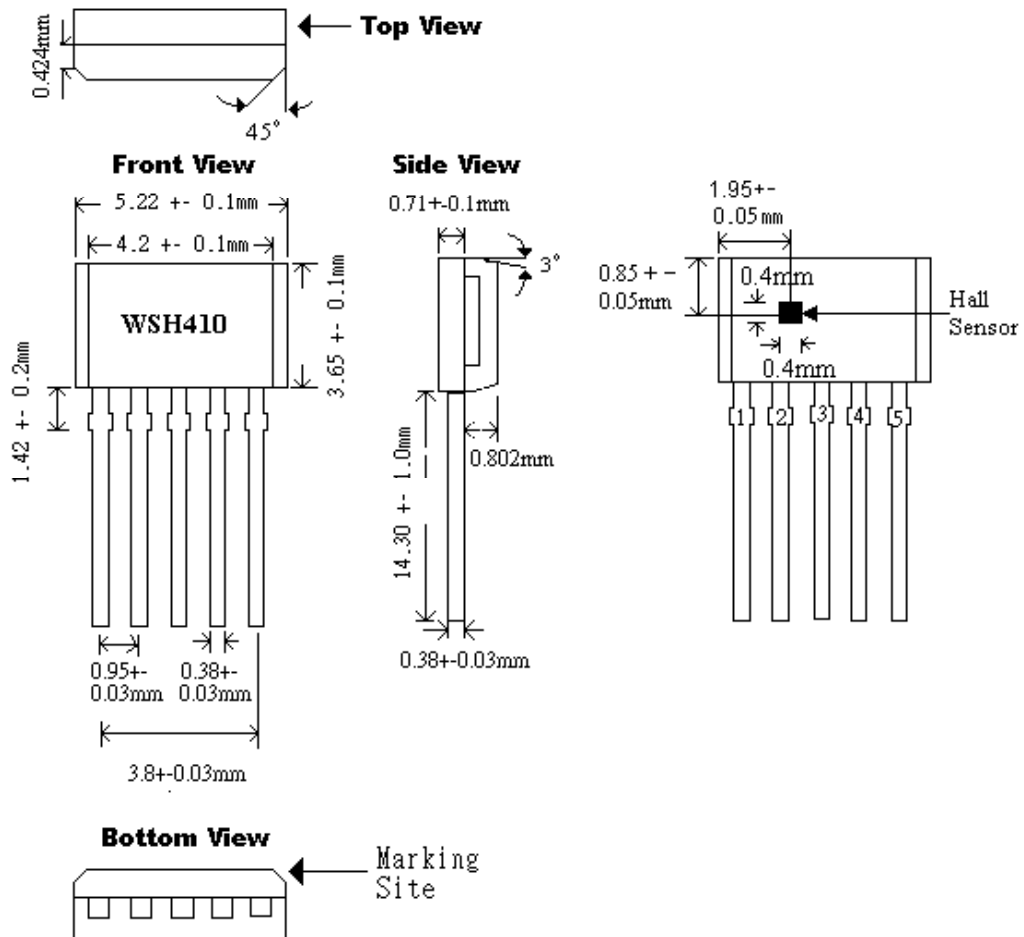


Winson reserves the right to make changes to improve reliability or manufacturability.

SIP-5L

**Package Dimension**

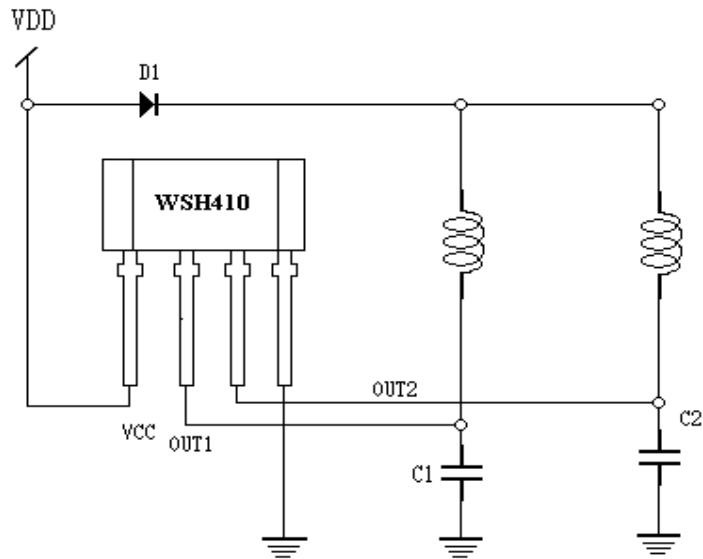
**Hall Sensor Location**



Winson reserves the right to make changes to improve reliability or manufacturability.

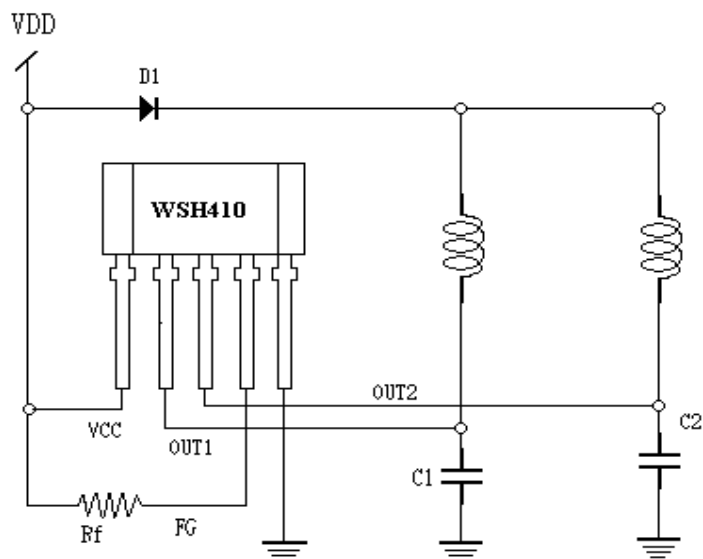
**Application Circuit:**

**SIP-4L**



**Figure 1.**

**SIP-5L**



**Figure 2.**

Winson reserves the right to make changes to improve reliability or manufacturability.