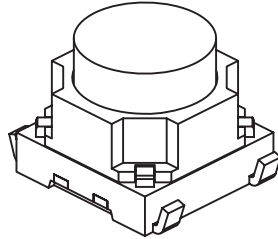
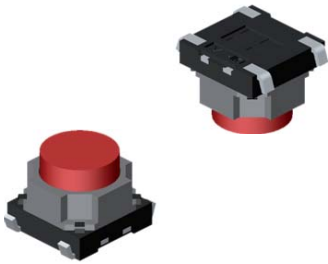


Tactile Switches

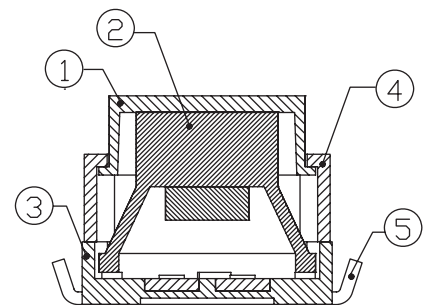
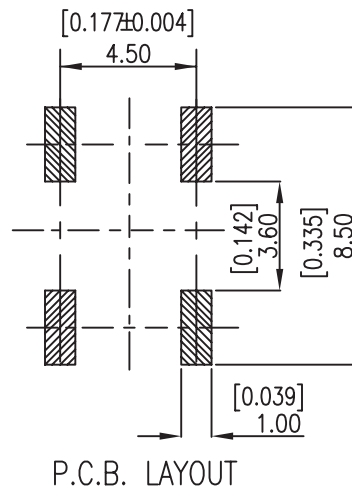
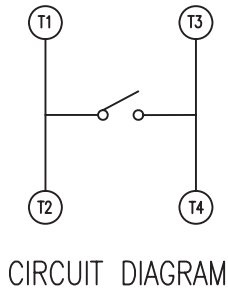
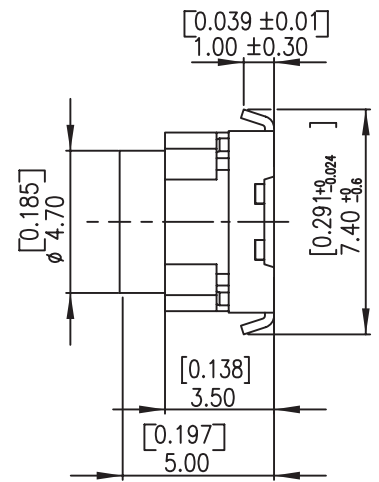
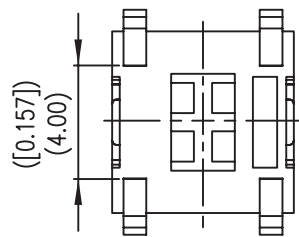
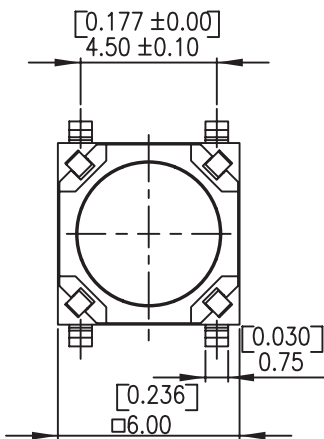
Long Travel SMT Tactile Switches

TP36 Series



NOTE:

1. ALL DIMENSIONS ARE IN MILLIMETER, BRACKETED DIMENSIONS ARE IN INCHES.
2. GENERAL TOLERANCES $\pm 0.20\text{mm}$.



How to order:

TP36 1 2 3 4

1 TERMINAL TYPE:
B SMT Bending Terminals

2 TRAVEL:
13 1.3 mm

3 OPERATING FORCE:
C 200 gf
S 350 gf

4 PACKAGING:
TR Tape and Reel

ITEM	DESC	QTY	MATERIALS	TREATMENT	REMARK
1	Stem	1	HIGH-TEMP THERMOPLASTIC NYLON UL 94V-0	Color : Red	-
2	Silicone Dome	1	Silicone rubber with metal contact	With Gold Plating	-
3	Base	1	HIGH-TEMP THERMOPLASTIC NYLON UL 94V-0	Color : Black	-
4	Cover	1	HIGH-TEMP THERMOPLASTIC NYLON UL 94V-0	Color : Black	-
5	Terminal	1	BRASS	With Silver Plating	-