

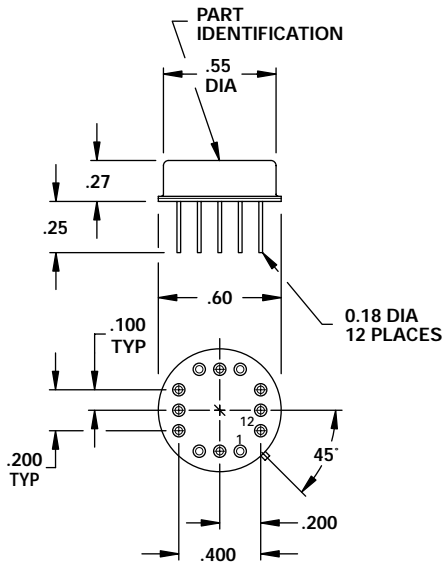
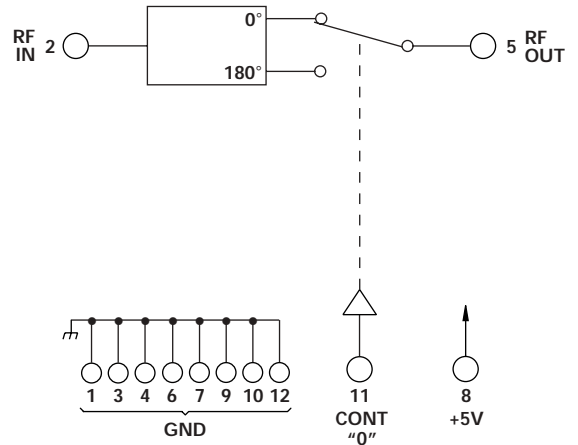
FEATURES

- 10 - 500 MHz
- ± 1 Deg. Phase Accuracy
- 0.3 mA, +5 VDC
- 1.0 dB Insertion Loss
- 35 nSec Transition Time
- 50 nSec Switching Speed
- 22 mV Transients
- TTL Control
- TO-8 Package



MODEL NO.
DPB0938

GaAs Bi-Phase Modulator



GUARANTEED PERFORMANCE

Parameter	Min	Typ	Max	Units	Conditions
Operating Frequency	10		500	MHz	
DC Current		0.3	2	mA	At +5 VDC Supply
Control Type		TTL			1 Line Logic "1" = Phase Reversal
Control Current	High Low	0 0	± 20 ± 20	μ A	$V_{IH} = +3.0$ V $V_{IL} = +0.6$ V
Insertion Loss		1.0 1.8	1.5 2.5	dB	10 - 100 MHz 100 - 500 MHz
Phase	Step Accuracy	180 ± 1.0	± 3.0	DEG	
VSWR		1.25/1	1.4/1		
Impedance		50		OHMS	
Switching Speed		50	70	nSec	50% TTL to 90% / 10% RF
Transition (Rise/Fall) Time		35	50	nSec	90% / 10% or 10% / 90% RF
Switching (Video) Transients		22	50	mV	Peak Value
Intercept Points	2nd 3rd	+80 +51		dBm	70 MHz / 50 MHz 35 MHz / 50 MHz
RF Power	Operate No Damage	+17	+13 +23	dBm	0.1 dB Compression
Operating Temperature	-55	+25	+85	$^{\circ}$ C	TA

