

PLEASE CHECK WWW.MOLEX.COM FOR LATEST PART INFORMATION

Part Number: [0879390001](#)
Status: **Active**
Overview: [cgrid_iii](#)
Description: 2.54mm (.100") Pitch C-Grid® Header, Surface Mount, Dual Row Dual Body, with Plastic Pegs, 16 Circuits, 0.76µm (30µ") Gold (Au) Selective Plating, 14.61mm(.575") Stacking Height, Tray Packaging, Lead-free

Documents:

[3D Model](#) [Product Specification PS-87920-019 \(PDF\)](#)
[Drawing \(PDF\)](#) [RoHS Certificate of Compliance \(PDF\)](#)

General

Product Family	PCB Headers
Series	87939
Application	Board-to-Board, Wire-to-Board
Comments	Custom Header, without Cap
Overview	cgrid_iii
Product Name	C-Grid®, Dual Body

Physical

Breakaway	Yes
Circuits (Loaded)	16
Circuits (maximum)	16
Color - Resin	Black
First Mate / Last Break	No
Glow-Wire Compliant	No
Guide to Mating Part	No
Keying to Mating Part	None
Lock to Mating Part	None
Mated Height (in)	0.240 In
Mated Height (mm)	6.10 mm
Material - Metal	Copper Alloy
Material - Plating Mating	Gold
Material - Plating Termination	Tin
Material - Resin	Polyester
Number of Rows	2
Orientation	Vertical
PCB Locator	Yes
PCB Retention	Yes
PCB Thickness Recommended (in)	0.062 In
PCB Thickness Recommended (mm)	1.60 mm
Packaging Type	Tray
Pitch - Mating Interface (in)	0.100 In
Pitch - Mating Interface (mm)	2.54 mm
Pitch - Term. Interface (in)	0.100 In
Pitch - Term. Interface (mm)	2.54 mm
Plating min: Mating (µin)	30
Plating min: Mating (µm)	0.76
Plating min: Termination (µin)	75
Plating min: Termination (µm)	1.90
Polarized to Mating Part	No
Polarized to PCB	No
Shrouded	No
Stackable	No
Temperature Range - Operating	-55°C to +105°C
Termination Interface: Style	Surface Mount

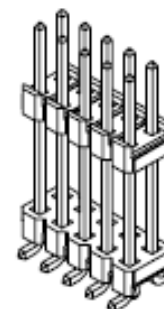


image - Reference only

Series

EU RoHS

**ELV and RoHS
Compliant**
**REACH SVHC
Not Reviewed**
**Halogen-Free
Status
Not Reviewed**

China RoHS



**Need more information on product
environmental compliance?**

Email productcompliance@molex.com
For a multiple part number RoHS Certificate of Compliance, [click here](#)

Please visit the [Contact Us](#) section for any non-product compliance questions.

Search Parts in this Series

[87939Series](#)

Mates With

[87985 Milli-Grid™ 2mm IDT Receptacle with Metal Latch](#)

Electrical

Current - Maximum per Contact

3A

Voltage - Maximum

250V

Material Info**Reference - Drawing Numbers**

Product Specification

PS-87920-019

Sales Drawing

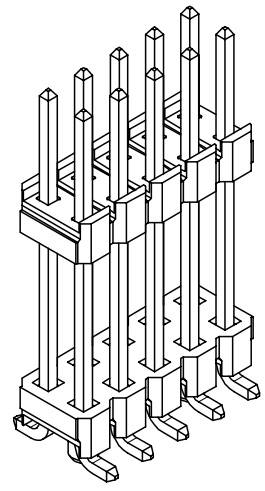
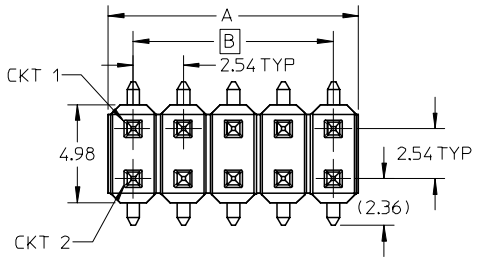
SD-87939-001

This document was generated on 05/26/2010

PLEASE CHECK WWW.MOLEX.COM FOR LATEST PART INFORMATION

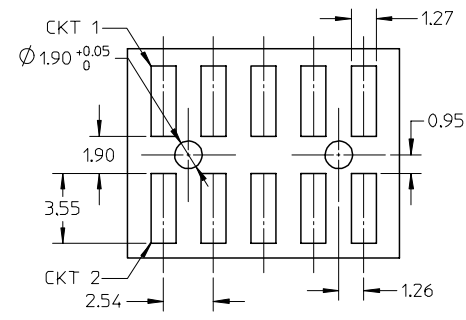
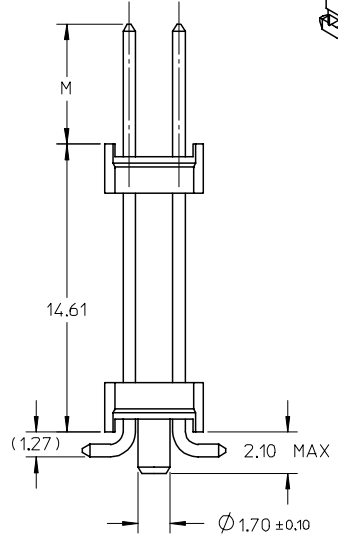
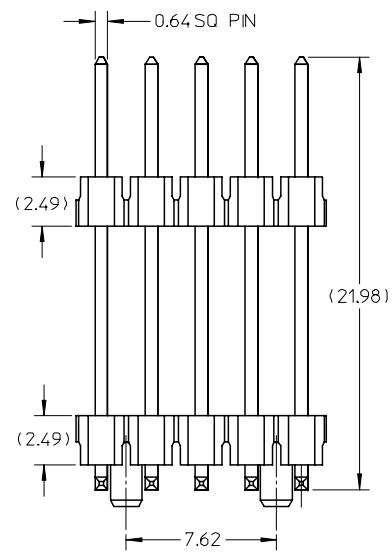
10 9 8 7 6 5 4 3 2 1

PART NO IN TRAY	CKT SIZE	DIMENSION		
		A	B	M
87939-0001	16	20.32	17.78	6.10



- NOTES:
- MATERIAL:
HOUSING: 30% G.F. POLYESTER, UL94V-0,
COLOR: BLACK
TERMINAL: COPPER ALLOY
 - PLATING TYPE:

(5) : 30 MICRO INCHES MIN. GOLD PLATE ON CONTACT AND
75 MICRO INCHES MIN. TIN ON SOLDER TAIL OVER
50 MICRO INCHES MIN. NICKEL OVERALL.
 - PIN PUSHOUT FORCE: 1KG MIN IN EITHER DIRECTION
 - THE ABOVE 10 CKT IS FOR ILLUSTRATION PURPOSE ONLY.
 - PART TO BE PACK IN TRAY.
 - PRODUCT SPEC: PS-87920-019
 - PARTS ARE NOT STACKABLE ON 2.54 CENTER
 - HEADER MAY BE BROKEN TO DESIRE CKT SIZE.
SLIGHTLY FLASHES SHOULD BE ACCEPTED.



RECOMMENDED PCB LAYOUT

F
E
D
C
B
A

F
E
D
C
B
A

EC NO: S2006-1110 DRWNS:SKL:IM01 2006/05/04 CHKD:CLAM 2006/05/04 APPR:PATEY 2006/05/08	DESCRIPTION REV	QUALITY SYMBOLS	GENERAL TOLERANCES (UNLESS SPECIFIED)	DIMENSION STYLE	SCALE	DESIGN UNITS	THIRD ANGLE PROJECTION	
		$\nabla=0$ $\sphericalangle=0$	mm INCH 4 PLACES ± --- ± --- 3 PLACES ± --- ± --- 2 PLACES ± 0.20 ± --- 1 PLACE ± --- ± --- ANGULAR ± 3 °	MM ONLY	NTS	METRIC	\odot \square	
				DRAWN BY DATE	TITLE	SALES DRAWING C-GRID, DUAL ROW HEADER DUAL WAFER SMT WITH PEG		
				KCHO 2005/06/28 CHECKED BY DATE BHLOW 2005/07/04 APPROVED BY DATE PTL IM 2005/07/05	MOLEX INCORPORATED DOCUMENT NO. SD-87939-001 SHEET NO. 1 OF 1			
			DRAFT WHERE APPLICABLE MUST REMAIN WITHIN DIMENSIONS	SIZE	THIS DRAWING CONTAINS INFORMATION THAT IS PROPRIETARY TO MOLEX INCORPORATED AND SHOULD NOT BE USED WITHOUT WRITTEN PERMISSION			

9 8 7 6 5 4 3 2 1