

PLEASE CHECK WWW.MOLEX.COM FOR LATEST PART INFORMATION

Part Number: [0758856870](#)

Status: **Active**

Overview: [vhdm](#)

Description: 2.00mm (.079") Pitch VHDM® Board-to-Board Daughtercard Receptacle, Right Angle, 6-Row, 2 Blades Power Module, 1 Circuit, Lead Free

Documents:

[Drawing \(PDF\)](#)

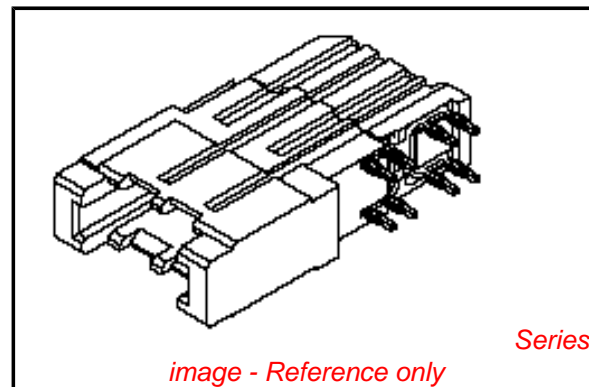
[RoHS Certificate of Compliance \(PDF\)](#)

General

Product Family	Backplane Connectors
Series	75885
Application	Daughtercard
Application Tooling Documents	Tooling Manual
Comments	Daughtercard Receptacle Module, Power, 2-Blade
Component Type	Power Receptacle
Overview	vhdm
Product Name	VHDM®
Style	N/A

Physical

Circuits (Loaded)	2
Circuits (maximum)	2
Color - Resin	Black
Durability (mating cycles max)	200
First Mate / Last Break	No
Guide to Mating Part	No
Keying to Mating Part	None
Material - Metal	High Performance Alloy (HPA)
Material - Plating Mating	Gold
Material - Plating Termination	Tin
Material - Resin	High Temperature Thermoplastic
Number of Columns	N/A
Number of Pairs	Open Pin Field
Number of Rows	1
Orientation	Right Angle
PC Tail Length (in)	0.110 In
PC Tail Length (mm)	2.80 mm
PCB Locator	No
PCB Retention	None
PCB Thickness Recommended (in)	0.071 In
PCB Thickness Recommended (mm)	1.80 mm
Packaging Type	Tube
Pitch - Mating Interface (in)	0.157 In
Pitch - Mating Interface (mm)	4.00 mm
Pitch - Term. Interface (in)	0.157 In
Pitch - Term. Interface (mm)	4.00 mm
Plating min: Mating (µin)	50
Plating min: Mating (µm)	1.25
Plating min: Termination (µin)	35
Plating min: Termination (µm)	0.875
Polarized to PCB	No
Stackable	No
Surface Mount Compatible (SMC)	Yes
Temperature Range - Operating	105°C



EU RoHS

**ELV and RoHS
Compliant**
**REACH SVHC
Contains SVHC: No**
**Halogen-Free
Status**

China RoHS



**Need more information on product
environmental compliance?**

Email productcompliance@molex.com
For a multiple part number RoHS Certificate of
Compliance, [click here](#)

Please visit the [Contact Us](#) section for any
non-product compliance questions.

Search Parts in this Series

[75885Series](#)

Termination Interface: Style

Through Hole - Compliant Pin

Electrical

Current - Maximum per Contact

10A

Data Rate

2.5 Gbps

Real Signals (per 25mm)

0

Shielded

No

Voltage - Maximum

120V AC (RMS)/DC

Material Info

Reference - Drawing Numbers

Packaging Specification

PK-70873-200

Sales Drawing

SD-75885-001

VHDM and Very High Density Metric are trademarks of Amphenol Corporation

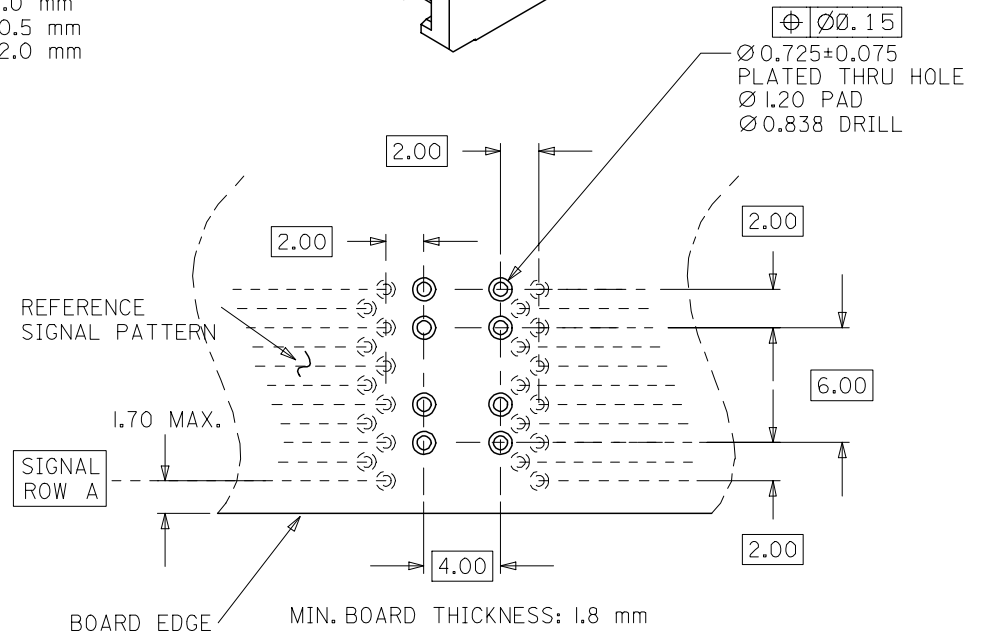
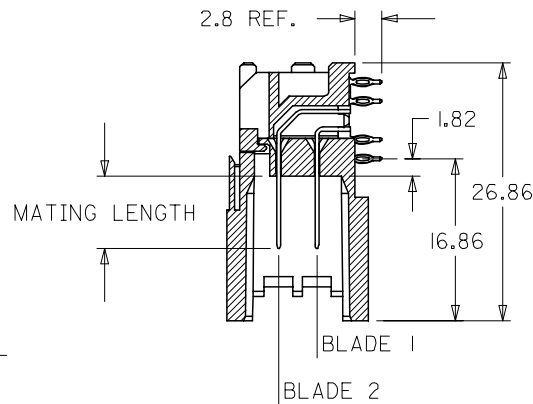
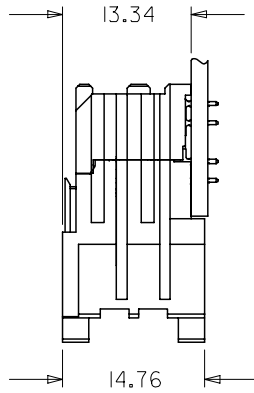
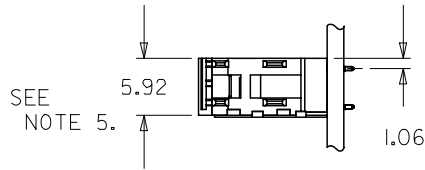
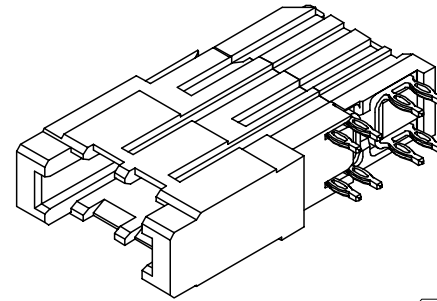
This document was generated on 05/28/2010

PLEASE CHECK WWW.MOLEX.COM FOR LATEST PART INFORMATION

MATERIAL NUMBER ASSIGNMENT

75885 - 6 * * 0 SEE NOTE 2. & 3.

BLADE 1		BLADE 2	
MATING LENGTH		MATING LENGTH	
1	= 7.5 mm	1	= 7.5 mm
2	= 9.0 mm	2	= 9.0 mm
3	= 10.5 mm	3	= 10.5 mm
4	= 12.0 mm	4	= 12.0 mm
6	= 7.5 mm	6	= 7.5 mm
7	= 9.0 mm	7	= 9.0 mm
8	= 10.5 mm	8	= 10.5 mm
9	= 12.0 mm	9	= 12.0 mm



NOTES:

- MATERIALS:**
HOUSING - LIQUID CRYSTAL POLYMER (LCP)
UL94 V-0 RATED, COLOR: BLACK
TERMINAL - COPPER ALLOY
- FINISH:** SELECT GOLD ON MATING SURFACE, 30 microINCH THICK; MATTE TIN ON TAILS; NICKEL OVERALL.
(WHEN * = 1, 2, 3, OR 4)
- FINISH:** SELECT GOLD ON MATING SURFACE, 50 microINCH THICK; MATTE TIN ON TAILS; NICKEL OVERALL.
(WHEN * = 6, 7, 8, OR 9)
- THIS PART CONFORMS TO PRODUCT SPECIFICATION PS-74031-999.
- PART SHOWN IS 75885-6110.
- USE 6.00 mm NOMINAL FOR DAUGHTERCARD LAYOUT.

RELEASED EC NO: UCP2006-3055 DRWNG:VARVARA 2006/06/21 CHKD:SREED 2006/06/21 APPR:SREED 2006/06/22	DESCRIPTION A	QUALITY SYMBOLS ▽=0 ▽=0	GENERAL TOLERANCES (UNLESS SPECIFIED)		DIMENSION STYLE MM ONLY		SCALE 4:1	DESIGN UNITS METRIC	THIRD ANGLE PROJECTION	
			mm	INCH	DRAWN BY VARVARA	DATE 06/06/20	TITLE VHDM LEAD FREE POWER 6 ROW DAUGHTERCARD SALES ASSEMBLY			
			4 PLACES ± ---	± ---	CHECKED BY SREED	DATE 06/06/20				
			ANGULAR ±1/2°		APPROVED BY SREED		DATE 06/06/20	MATERIAL NO. SEE CHART		
DRAFT WHERE APPLICABLE MUST REMAIN WITHIN DIMENSIONS		MATERIAL NO. SEE CHART		DOCUMENT NO. SD-75885-001		SHEET NO. 1 OF 1				