

PLEASE CHECK WWW.MOLEX.COM FOR LATEST PART INFORMATION

Part Number: [0588660003](#)

Status: **Active**

Description: HMC™ Rectangular Industrial End Bell Cap Assembly, PG36, 20.00 to 25.00mm (.787 to .984") dia. Wire Size, Orange Bush, for External Threaded Hoods

Documents:

[3D Model](#)

[Drawing \(PDF\)](#)

[Product Specification PS-58719-005 \(PDF\)](#)

[Product Specification PS-58719-006 \(PDF\)](#)

[RoHS Certificate of Compliance \(PDF\)](#)

Agency Certification

TUV R72081037

General

Product Family	I/O Connectors
Series	58866
Application	Panel-Mount
Component Type	Bell Cap Assembly
Product Name	HMC™
Type	N/A

Physical

Circuits (Loaded)	48, 72
Color - Resin	Orange
Lock to Mating Part	Yes
Material - Metal	Brass
Material - Plating Mating	n/a
Material - Resin	PVC
Orientation	Vertical
Packaging Type	Bag
Panel Mount	N/A
Pitch - Mating Interface (in)	0.000 In
Pitch - Mating Interface (mm)	0.00 mm
Polarized to Mating Part	Yes
Termination Interface: Style	N/A
Waterproof / Dustproof	Yes
Waterproof / Dustproof Type	IP65

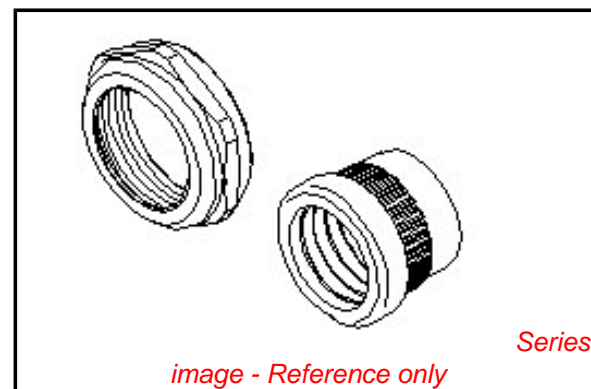
Electrical

Current - Maximum per Contact N/A

Material Info

Reference - Drawing Numbers

Product Specification	PS-58719-005, PS-58719-006, RPS-58719-003, RPS-58719-004, RPS-58719-006, RPS-58719-007, RPS-58719-008
Sales Drawing	SD-58866-002



EU RoHS

RoHS Compliant by Exemption
REACH SVHC Not Reviewed
Halogen-Free Status Not Reviewed

China RoHS



Need more information on product environmental compliance?

Email productcompliance@molex.com
For a multiple part number RoHS Certificate of Compliance, [click here](#)

Please visit the [Contact Us](#) section for any non-product compliance questions.

Search Parts in this Series

[58866Series](#)

Use With

[58723-0010 hood](#)

DWG. NO. SD-58866-002

F

D

V

C

B

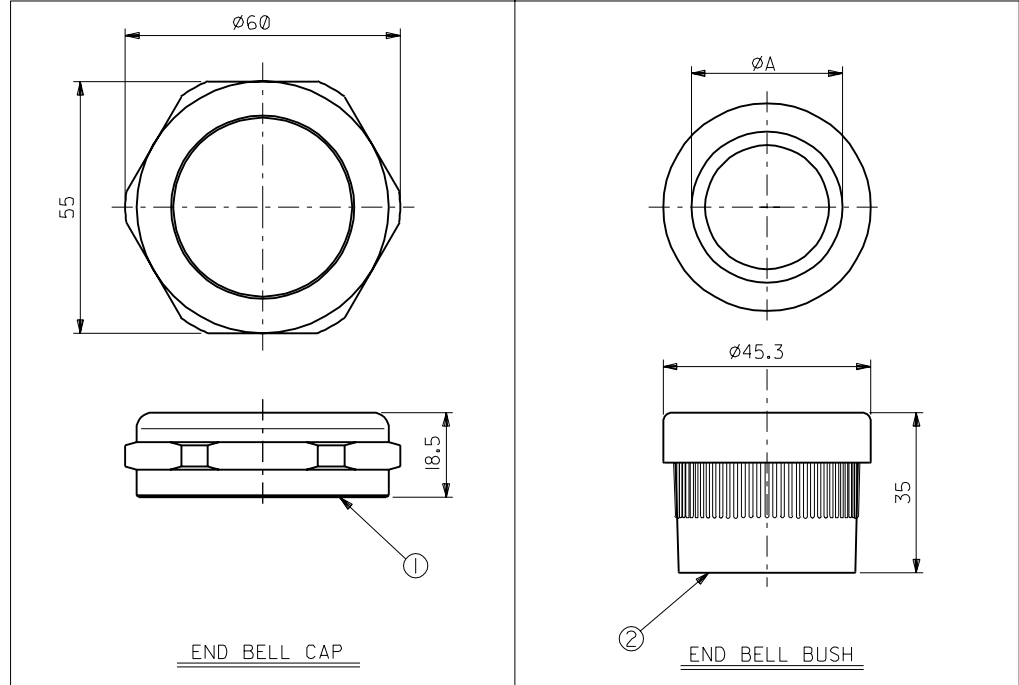
DO NOT SCALE DRAWING

EC NO. DRWN: CHK: APPR:	REVISED '01/05/14 EC No. JD2001-1521 DRWN: S.AKIYAMA CHK: J.MIYAZAWA APPR: H.IKESUGI	REVISED '01/01/22 EC No. JD2001-0972 DRWN: S.AKIYAMA CHK: J.MIYAZAWA APPR: H.IKESUGI	REVISED '99/10/06 EC No. JD2000-0333 DRWN: S.AKIYAMA CHK: J.MIYAZAWA APPR: H.IKESUGI	RELEASED EC No. JD90700'98/11/0 DRWN: Y.TETSUKA CHK: S.AKIYAMA/YO.ITO APPR: H.IKESUGI
REV	DESCRIPTION			
INS. RANGE 被覆外径	MATERIAL 材料			
	FINISH 仕上付			
	WIRE RANGE 適用電線径			

REV	DESCRIPTION	MATERIAL 材料
	SEE CHART	
	FINISH 仕上付	
	WIRE RANGE 適用電線径	
	INS. RANGE 被覆外径	

GENERAL TOLERANCES: (UNLESS SPECIFIED) 一般公差		SCALE 1-1	DESIGN UNITS <input checked="" type="checkbox"/> mm <input type="checkbox"/> INCH	DIMENSIONS: THIRD ANGLE PROJECTION	SHT REV
10 UNDER 未満	±0.2	DRAWN BY & DATE Y.TETSUKA '98/11/10	<input type="checkbox"/> mm <input type="checkbox"/> INCH <input checked="" type="checkbox"/> mm ONLY	REVISION ON CAD ONLY	REV
10 OVER 以上	±0.25	CHECKED BY & DATE S. Akiyama / 98/11/12			
30 OVER 以上	±0.3	APPROVED BY & DATE H. Ikessugi / '98/11/12			
	ANGLE 角度	±3°			

TITLE: POWER CONN. END BELL CAP SET (PG36)		MATERIAL NO. DRAWING NO.		SHEET NO.
MOLEX INCORPORATED		58866002.S01	SD-58866-002	1 OF 1
THIS DRAWING CONTAINS INFORMATION THAT IS PROPRIETARY TO MOLEX INCORPORATED AND SHOULD NOT BE USED WITHOUT WRITTEN PERMISSION.				
				SIZE B



部番 NO.	部品名 PARTS NAME	個数 QUAN.	材質 MATERIAL
①	ケーブル キャップ CABLE CAP	1	黄銅、ニッケルメッキ BRASS, NI PLATING
②	ブッシュ BUSH	1	ポリ塩化ビニル PVC

橙 ORANGE	φ20~φ25	25	58866-0003	58866-****
青 BLUE	φ14~φ18	18	58866-0002	
黄 YELLOW	φ24~φ28	28	58866-0001	
黒 BLACK	φ29~φ33	33	58866-0000	
ブッシュ色 BUSH COLOR	適用電線径 WIRE SIZE	A	MATERIAL NO.	MODEL NO.
製品番号				