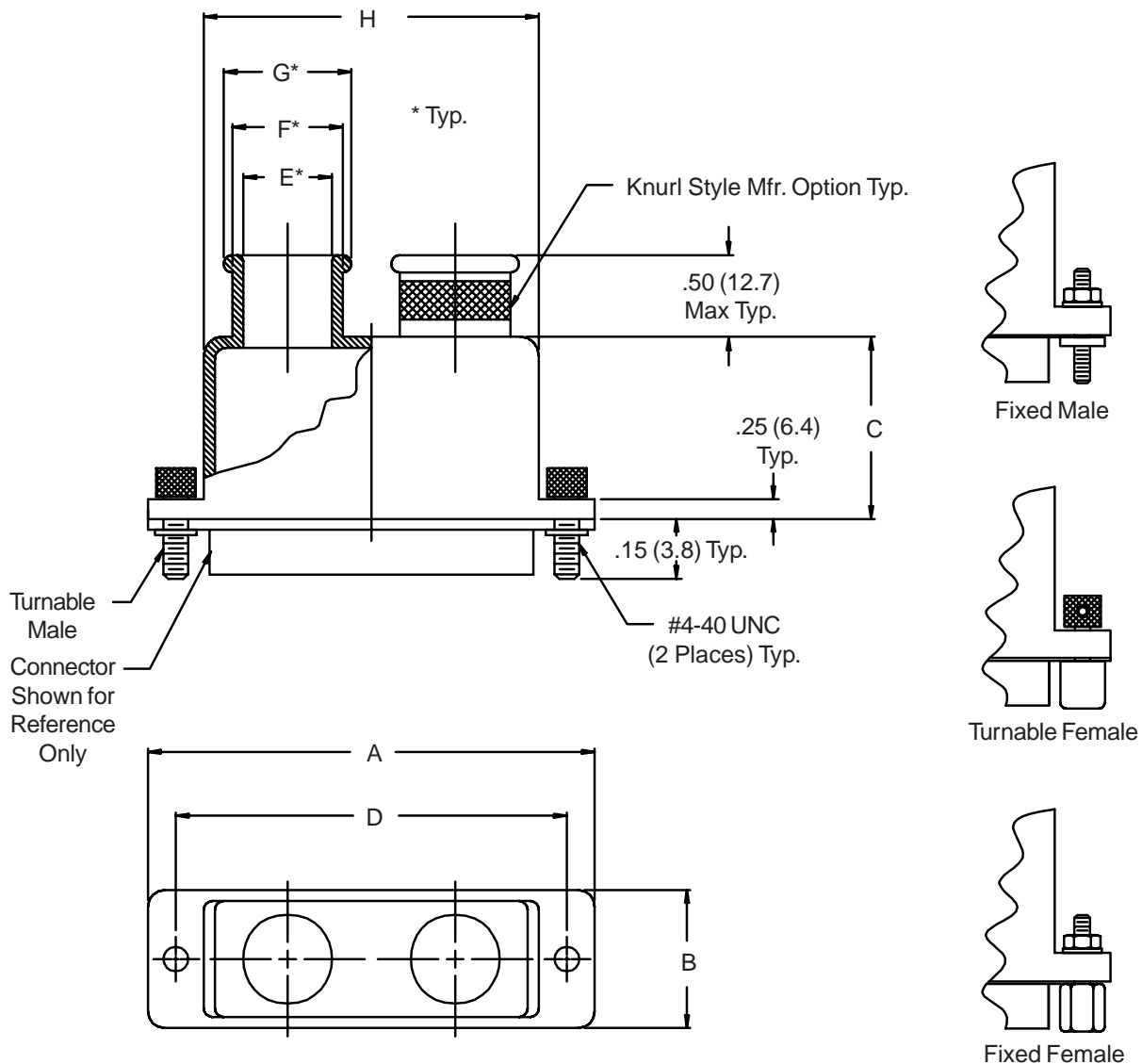


# 557-080 D-Subminiature Dual-Entry Solid Banding Backshell

- 557-080 M 2 L B**
- Basic Part No. \_\_\_\_\_
  - Finish Symbol (Page 3) \_\_\_\_\_
  - Shell Size (Table I) \_\_\_\_\_
  - B = Band Supplied (600-052), Omit for None
  - Hardware Options, Omit for Standard 2 Turnable Males
  - L = Part Supplied Less Jackscrew and Clip
  - R = Fixed Males
  - P = Fixed Females
  - N = 1 Fixed Male and 1 Fixed Female
  - T = Turnable Females
  - F = 1 Turnable Male and 1 Turnable Female
  - RT = 1 Fixed Female and 1 Turnable Female
  - PF = 1 Fixed Female and 1 Turnable Male



**TABLE I: SHELL SIZE & BACKSHELL DIMENSIONS**

Shell Size	A Max	B	C	D ±.005 (.1)
1	1.25 (31.8)	.53 (13.5)	.75 (19.1)	.984 (25.0)
2	1.58 (40.1)	.53 (13.5)	.75 (19.1)	1.312 (33.3)
3	2.13 (54.1)	.53 (13.5)	1.00 (25.4)	1.852 (47.0)
4	2.77 (70.4)	.53 (13.5)	1.00 (25.4)	2.500 (63.5)
5	2.68 (68.1)	.66 (16.8)	1.25 (31.8)	2.406 (61.1)
6	2.77 (70.4)	.73 (18.5)	1.25 (31.8)	2.500 (63.5)

**TABLE I (Continued): CABLE ENTRY**

Shell Size	E Dia	F Dia	G Dia	H
1	.125 (3.2)	.250 (6.4)	.312 (7.9)	.76 (19.3)
2	.250 (6.4)	.375 (9.5)	.437 (11.1)	1.09 (27.7)
3	.250 (6.4)	.375 (9.5)	.437 (11.1)	1.62 (41.1)
4	.250 (6.4)	.375 (9.5)	.437 (11.1)	2.28 (57.9)
5	.375 (9.5)	.500 (12.7)	.562 (14.3)	2.18 (55.4)
6	.500 (12.7)	.625 (15.9)	.688 (17.5)	2.28 (57.9)

1. Metric dimensions (mm) are indicated in parentheses.
2. **DO NOT USE CONNECTORS WITH FLOAT MOUNTINGS.**