

# 1.27X1.27mm DUAL ROW BOX HEADER OF VARIOUS HEIGHT FOR BOARD TO BOARD SERIES



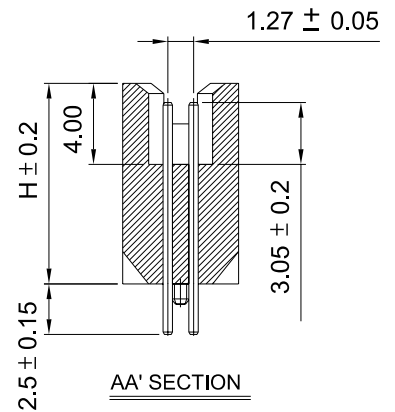
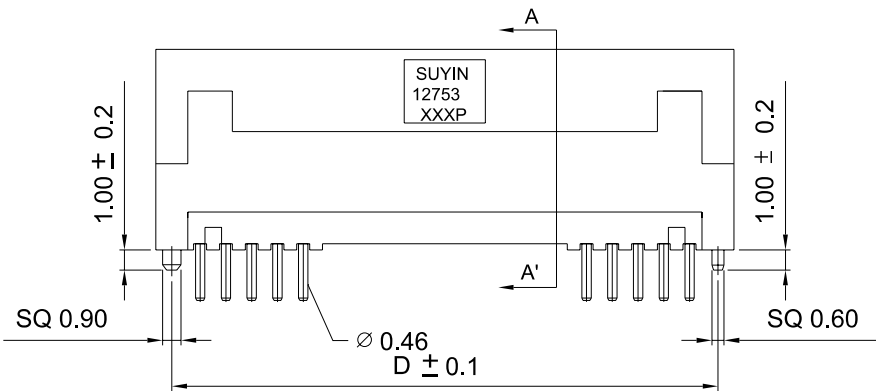
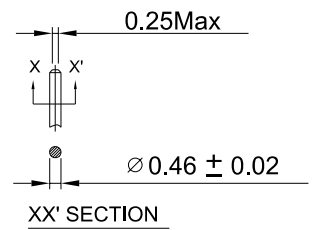
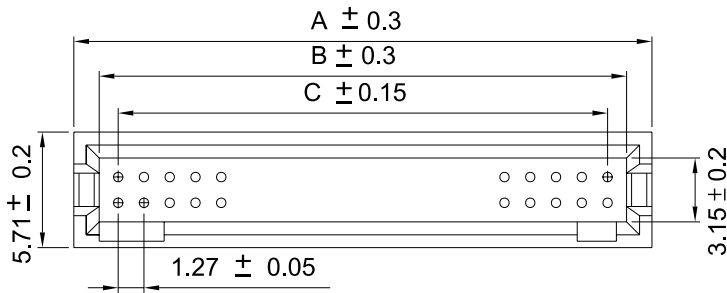
## 12713 MS, 12714 MS Series

Mates with SUYIN 127150, 127151 Series

### Specifications:

- 10-100 Circuits
- Various Heights : Refer Dimensional Information II
- Insulator material : Black High Temp . Plastic
- Operating Temp. Range : -40°C to +150°C
- Terminal Material : Brass
- Plating : Contact-Gold Plated
- Max. Current Rating : 1.0A
- Voltage Rating : 150V AC
- Dielectric Strength : 500V (Min. 60 seconds)

1.27 mm



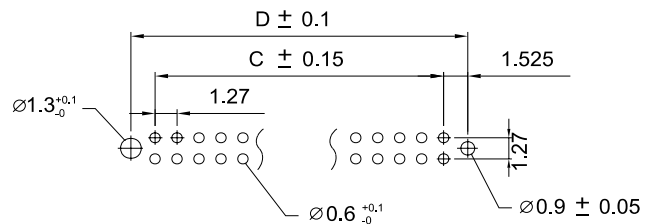
## Order Information

12713 MS 1 2 3 4 5 00ZU

12714 6

1. 'S' : Straight DIP Type
  2. No. of Pins
  3. Plating
  4. Color 'Z' : Black
  5. Package
    - 'U' : Tube Package Without CAP
  6. Indicate Plastic Height See Attached Dimensional Information II
- Reference Page 11

## Recommended P.C.B. Layout



## Dimensional Information I.

SUYIN P/NO.	NO. PINS	DIM.A	DIM.B	DIM.C	DIM.D
127□□□MS010□□00ZU	10	9.45	6.95	5.08	8.13
127□□□MS016□□00ZU	16	13.26	11.50	8.89	11.94
127□□□MS020□□00ZU	20	15.80	13.30	11.43	14.48
127□□□MS024□□00ZU	24	18.34	15.84	13.97	17.02
127□□□MS028□□00ZU	28	20.88	18.38	16.51	19.56
127□□□MS030□□00ZU	30	22.15	19.65	17.78	20.83
127□□□MS040□□00ZU	40	28.50	26.00	24.13	27.18
127□□□MS044□□00ZU	44	31.04	28.54	26.67	29.72
127□□□MS050□□00ZU	50	34.85	32.35	30.48	33.53
127□□□MS060□□00ZU	60	41.20	38.70	36.83	39.88
127□□□MS068□□00ZU	68	46.28	43.78	41.91	44.96
127□□□MS070□□00ZU	70	47.55	45.05	43.18	46.23
127□□□MS080□□00ZU	80	53.90	51.40	49.53	52.58
127□□□MS090□□00ZU	90	60.25	57.75	55.88	58.93
127□□□MS100□□00ZU	100	66.60	64.10	62.23	65.28

1.27  
mm

## Dimensional Information II.

SUYIN P/NO	H ± 0.2	H1 ± 0.3
127134MS□□□□□00ZU	17.60	18.00
127136MS□□□□□00ZU	10.40	10.80
127137MS□□□□□00ZU	10.70	11.10
127138MS□□□□□00ZU	15.20	15.60
127139MS□□□□□00ZU	7.15	7.55
127140MS□□□□□00ZU	14.20	14.60
127141MS□□□□□00ZU	13.50	13.90
127142MS□□□□□00ZU	12.40	12.80
127143MS□□□□□00ZU	9.20	9.60
127144MS□□□□□00ZU	15.90	16.30
127145MS□□□□□00ZU	8.70	9.10
127146MS□□□□□00ZU	13.00	13.40
127147MS□□□□□00ZU	11.50	11.90
127149MS□□□□□00ZU	16.70	17.10

