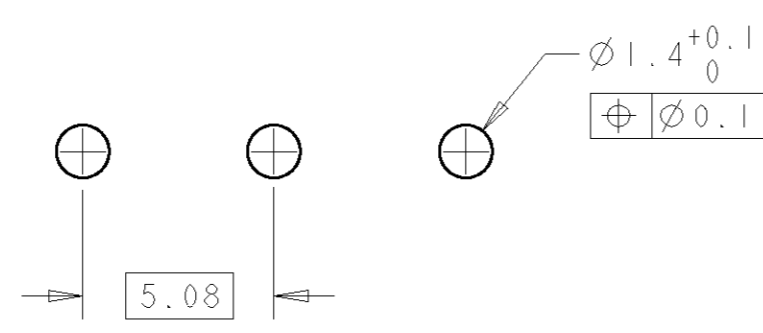
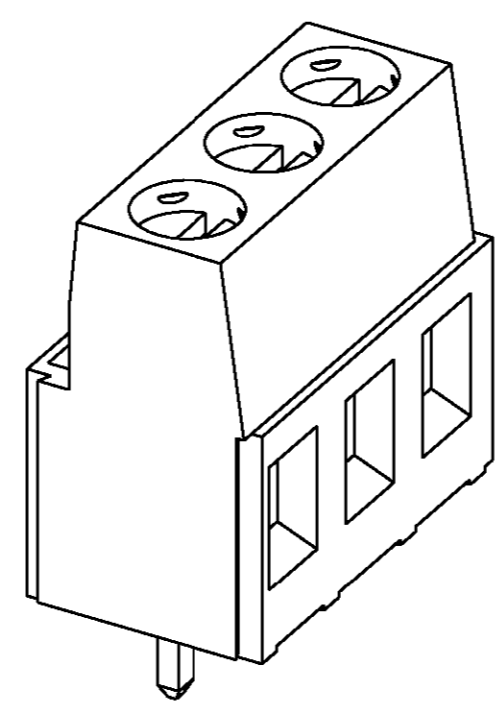
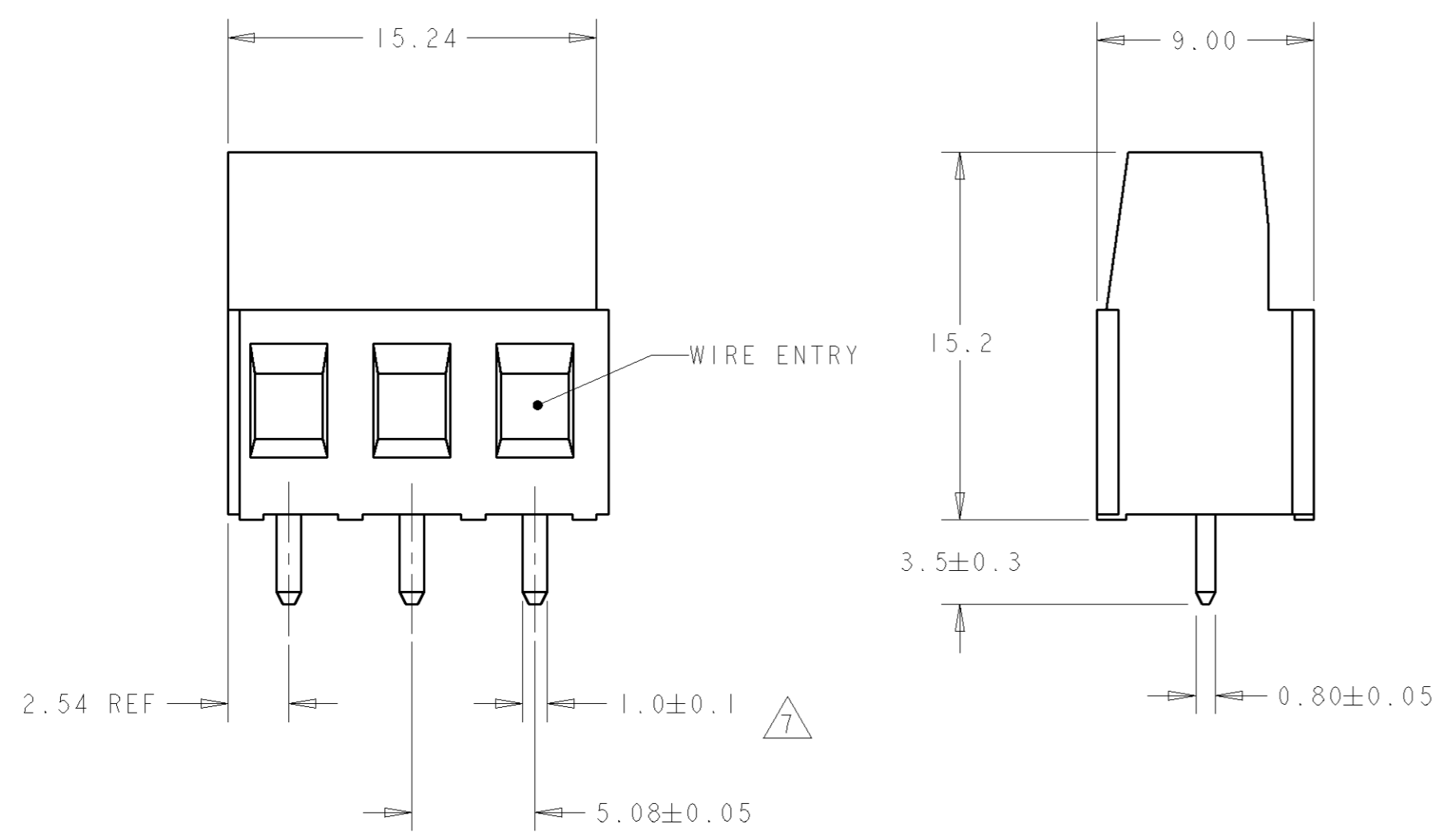
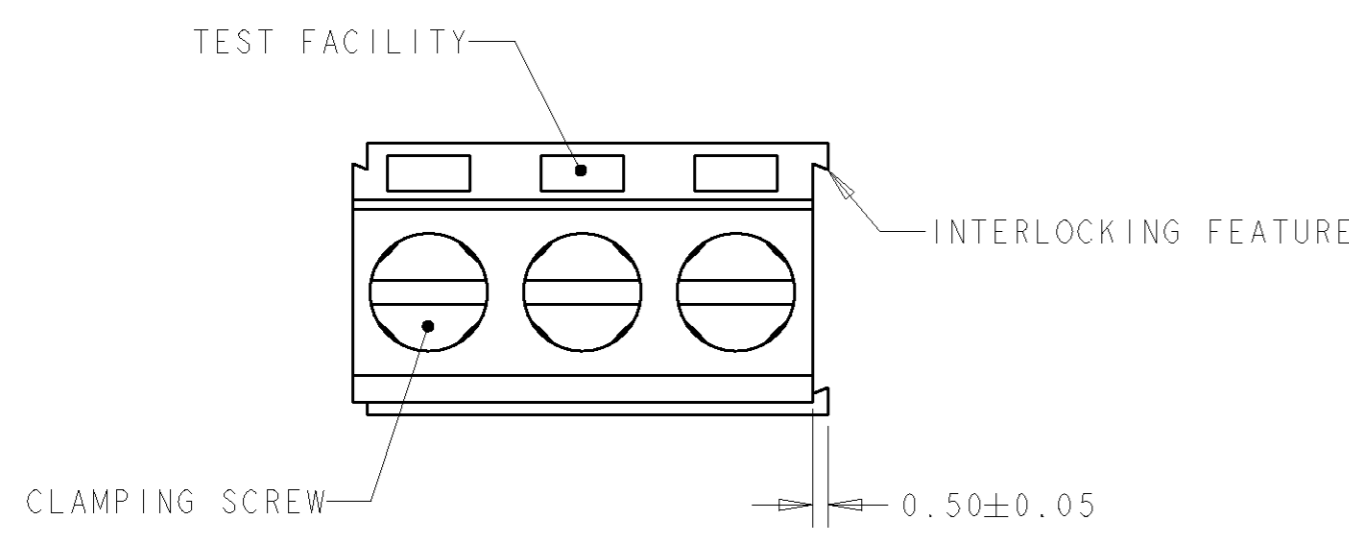


THIS DRAWING IS UNPUBLISHED. RELEASED FOR PUBLICATION 20
 © COPYRIGHT 20 BY TYCO ELECTRONICS CORPORATION. ALL RIGHTS RESERVED.

LOC	DIST	REVISIONS					
FT	0	P	LTR	DESCRIPTION	DATE	DWN	APVD
		A		RELEASED EC 063B-0471-01	22AUG2001	-	-
		B		REVISED PER 063B-0127-02	21MAR2002	EZ	DB
		C		REVISED EC 063B-0423-02	05JUN2003	SW	CR
		D		REVISED EC 063B-0144-03	06JUN2003	SW	CR

1. MATERIALS AND FINISH:
 HOUSING: PA 6-6, UL 94-V0, COLOR:BLACK.
 CLAMP: BRASS, NICKEL PLATED.
 TERMINAL: BRASS, TIN PLATED.
 CLAMPING SCREW: M3, BRASS, NICKEL PLATED.
2. SUITABLE FOR 1,6-2,4mm. PCB THICKNESS.
3. END-TO-END STACKABLE W/INTERLOCK WITHOUT LOSS OF CENTERLINE SPACING.
4. WIRE SIZE RANGE: 12 - 30 AWG
5. RECOGNIZED UNDER THE COMPONENT PROGRAM OF UNDERWRITERS LABORATORIES INC. FILE No E60677.
6. IMQ CERTIFICATE WITH SURVEILLANCE IN CONFORMITY WITH IEC 998-1/998-2-1.
7. NOT CUMULATIVE TOLERANCE.
8. WHITE INK STAMPING.
9. BUCHANAN LOGO TO APPEAR ON HOUSING, LOCATION OPTIONAL, WHERE SPACE PERMITS.



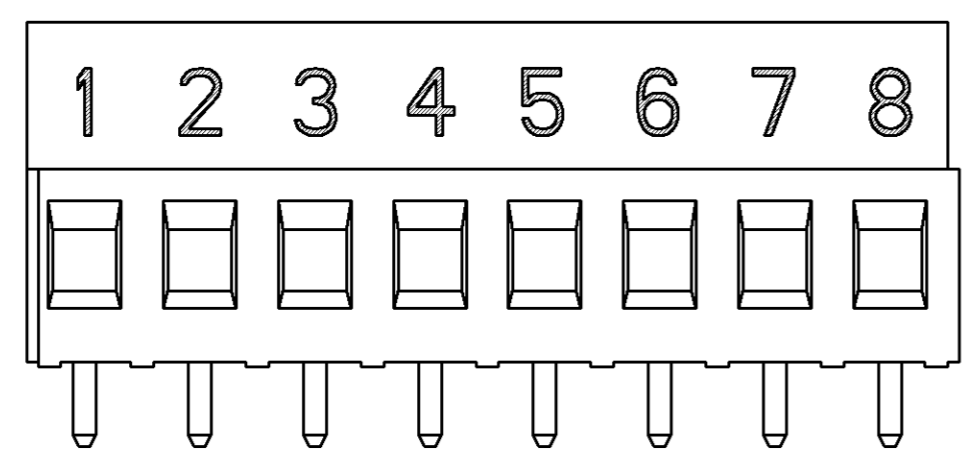
RECOMMENDED PC BOARD LAYOUT
 SCALE 5:1

SEE DETAIL P	30.48	6	3-796949-1
SEE DETAIL N	10.16	2	3-796949-0
SEE DETAIL M	40.64	8	2-796949-9
SEE DETAIL L	40.64	8	2-796949-8
-	127.00	25	2-796949-5
-	121.92	24	2-796949-4
-	116.84	23	2-796949-3
-	111.76	22	2-796949-2
-	106.68	21	2-796949-1
-	101.60	20	2-796949-0
-	96.52	19	1-796949-9
-	91.44	18	1-796949-8
-	86.36	17	1-796949-7
-	81.28	16	1-796949-6
-	76.20	15	1-796949-5
-	71.12	14	1-796949-4
-	66.04	13	1-796949-3
-	60.96	12	1-796949-2
-	55.88	11	1-796949-1
-	50.80	10	1-796949-0
-	45.72	9	796949-9
-	40.64	8	796949-8
-	35.56	7	796949-7
-	30.48	6	796949-6
-	25.40	5	796949-5
-	20.32	4	796949-4
-	15.24	3	796949-3
-	10.16	2	796949-2
MARKING	A	POSN	PART NUMBER

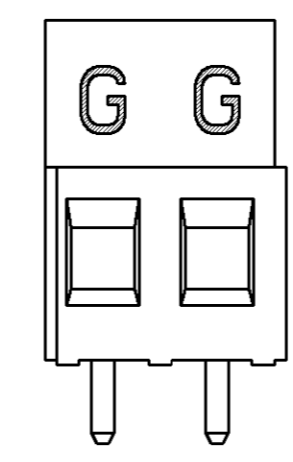
THIS DRAWING IS A CONTROLLED DOCUMENT FOR TYCO ELECTRONICS CORPORATION. IT IS SUBJECT TO CHANGE AND THE CONTROLLING ENGINEERING ORGANIZATION SHOULD BE CONTACTED FOR THE LATEST REVISION.		DWN S. WELDON 22AUG2001	Tyco Electronics Harrisburg, PA 17105-3608	
DIMENSIONS: mm		CHK D. BIEVENOUR 22AUG2001	NAME TERMINAL BLOCK PCB MOUNT W/INTERLOCK, 5.08mm PITCH	
TOLERANCES UNLESS OTHERWISE SPECIFIED: 0 PLC ±0 1 PLC ±.3 2 PLC ±.25 3 PLC ±0 4 PLC ±0 ANGLES ±2° FINISH		APVD D. BIEVENOUR 22AUG2001	PRODUCT SPEC -	RESTRICTED TO -
MATERIAL		APPLICATION SPEC -	WEIGHT -	SIZE A2
		CUSTOMER DRAWING	SCALE 4:1	SHEET 1 OF 2
			DRAWING NO. 796949	REV D

THIS DRAWING IS UNPUBLISHED. RELEASED FOR PUBLICATION 20
 © COPYRIGHT 20 BY TYCO ELECTRONICS CORPORATION. ALL RIGHTS RESERVED.

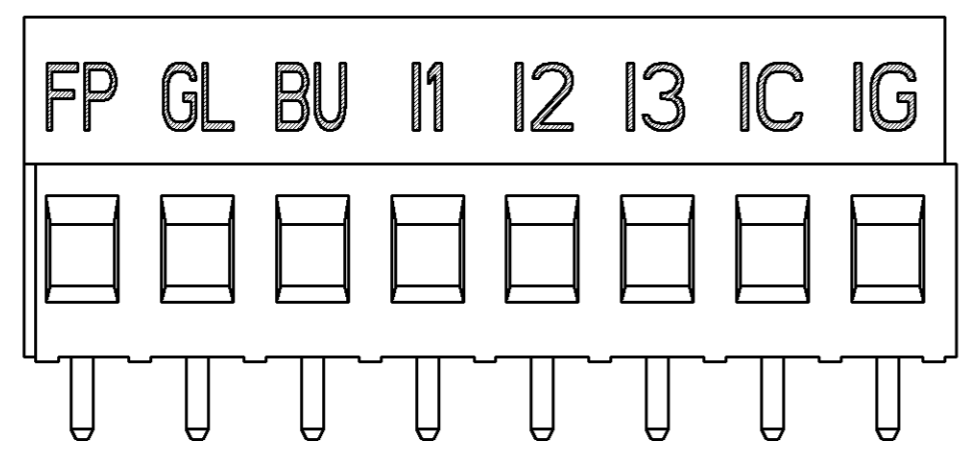
LOC	DIST	REVISIONS					
FT	0	P	LTR	DESCRIPTION	DATE	DWN	APVD
		-		SEE SHEET 1	-	-	-



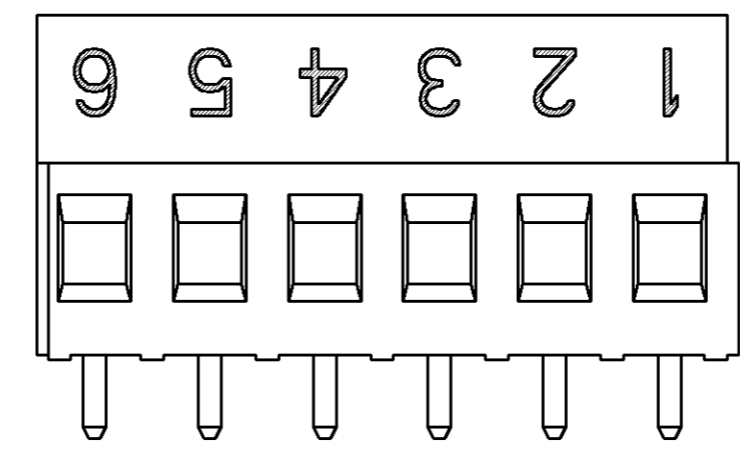
DETAIL L \triangle 8



DETAIL N \triangle 8



DETAIL M \triangle 8



DETAIL P \triangle 8

<small>THIS DRAWING IS A CONTROLLED DOCUMENT FOR TYCO ELECTRONICS CORPORATION IT IS SUBJECT TO CHANGE AND THE CONTROLLING ENGINEERING ORGANIZATION SHOULD BE CONTACTED FOR THE LATEST REVISION.</small>		DWN S. WELDON 22AUG2001 CHK D. BIEVENOUR 22AUG2001 APVD D. BIEVENOUR 22AUG2001	Tyco Electronics Harrisburg, PA 17105-3608	
DIMENSIONS: mm	TOLERANCES UNLESS OTHERWISE SPECIFIED: 0 PLC ± 0 1 PLC $\pm .3$ 2 PLC $\pm .25$ 3 PLC ± 0 4 PLC ± 0 ANGLES $\pm 2^\circ$ FINISH -	PRODUCT SPEC - APPLICATION SPEC - WEIGHT -	NAME TERMINAL BLOCK PCB MOUNT W/INTERLOCK, 5.08mm PITCH	
MATERIAL -		CUSTOMER DRAWING	SIZE A2 CAGE CODE 00779 DRAWING NO. 796949	RESTRICTED TO -
SCALE 4:1			SHEET 2 OF 2	REV D