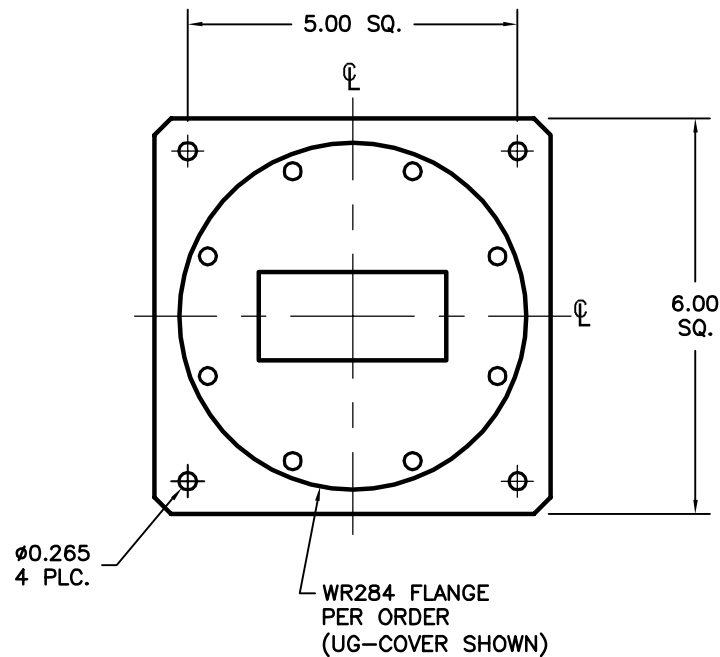
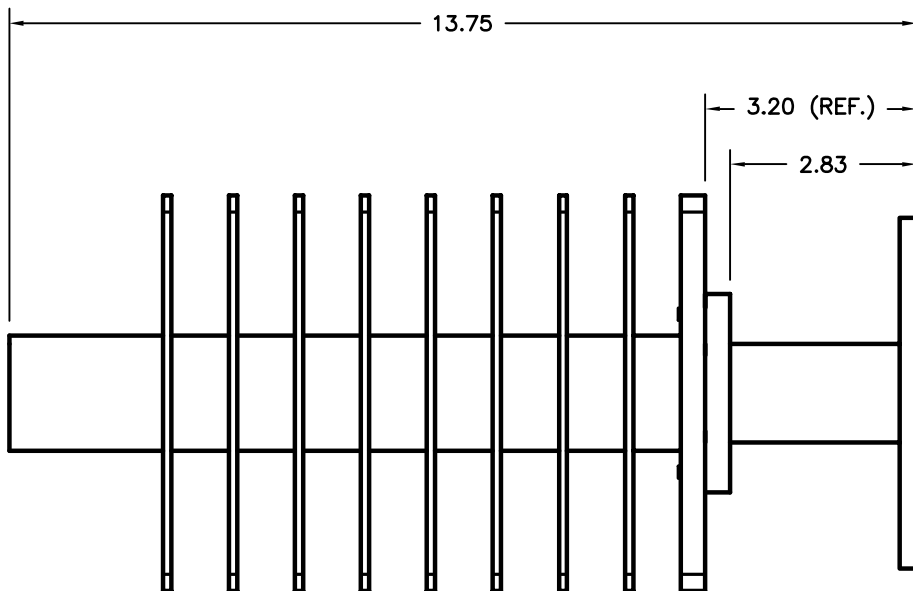


REV. B	AUTH. JLE	DATE 11/13/03	REWORK FOR 2-PC HOUSING.	APPROVED
REV. C	AUTH. RL	DATE 02/01/07	DIMS, LINETYPES, ILLUSTRATION UPDATED.	APPROVED



PERFORMANCE SPECIFICATIONS

MODEL CODE: 284-760-FLANGE TYPE\*  
 WG SIZE: WR284 ALUM.  
 FREQ. RANGE: 2.60 - 3.95 GHz  
 POWER: 5000W AVG.  
 MAX. VSWR: 1.15 MAX.  
 FLANGE TYPE: SEE CHART BELOW

*ATM MODEL# DESIGNATION FOR COMMON FLANGES	
1	= CPRG
2	= CPRF
6	= UG COVER
7	= UG CHOKE
8	= SPECIAL

MATERIAL	ALUM.	TREATMENT	IRIDITE	DRAWN	JLE	DATE	11/13/03
FINISH	HI TEMP BLACK	MOD NO.	284-760-X	CHECKED		DATE	
<b>OUTLINE, WR284</b> <b>VERY HIGH POWER TERMINATION</b>				APPROVED		DATE	
				CAGE CODE: ORB4		DO NOT SCALE DWG	
				ADVANCED TECHNICAL MATERIALS, INC. 49 RIDER AVE., PATCHOGUE N.Y. 11772 TEL: (631) 289-0363 FAX: (631) 289-0358 http://www.atmmicrowave.com		UNLESS OTHERWISE NOTED DIMENSIONS ARE IN INCHES TOLERANCES ARE:	
PROPRIETARY NOTICE: THE INFORMATION IN THIS DRAWING IS PROPRIETARY AND SHALL NOT BE USED OR DISCLOSED WITHOUT THE PRIOR WRITTEN CONSENT OF ATM, INC.		SCALE 1/2	DWG. NO. 3730	REV.	C		