

**PLEASE CHECK WWW.MOLEX.COM FOR LATEST PART INFORMATION**

**Part Number:** [0014445208](#)  
**Status:** **Active**  
**Overview:** [cgrid\\_sl\\_products](#)  
**Description:** 2.54mm (.100") Pitch SL™ Insulation Displacement Connector Assembly, Male, Single Row, Version D, Back Ribs, for Wire Size 22, 3.81µm (150µ") Tin (Sn), 8 Circuits

**Documents:**

[3D Model](#) [Product Specification PS-70400 \(PDF\)](#)  
[Drawing \(PDF\)](#) [RoHS Certificate of Compliance \(PDF\)](#)

**Agency Certification**

CSA LR19980  
 UL E29179

**General**

Product Family Ribbon Cable / Wire Trap Connectors  
 Series [70475](#)  
 Comments Terminals Preloaded  
 Component Type Housing  
 Glow-Wire Compliant No  
 Overview [cgrid\\_sl\\_products](#)  
 Product Name SL™

**Physical**

Circuits (Loaded) 8  
 Color - Resin Black  
 Durability (mating cycles max) 25  
 Entry Angle Vertical  
 Flammability 94V-0  
 Lock to Mating Part None  
 Material - Metal Phosphor Bronze  
 Material - Plating Mating Tin  
 Material - Plating Termination Tin  
 Material - Resin Polyester Alloy  
 Number of Rows 1  
 PCB Retention None  
 Packaging Type Tube  
 Pitch - Mating Interface (in) 0.100 In  
 Pitch - Mating Interface (mm) 2.54 mm  
 Plating min: Mating (µin) 150  
 Plating min: Mating (µm) 3.81  
 Plating min: Termination (µin) 150  
 Plating min: Termination (µm) 3.81  
 Polarized to Mating Part No  
 Stackable Yes  
 Surface Mount Compatible (SMC) N/A  
 Temperature Range - Operating -40°C to +105°C  
 Termination Interface: Style IDT or Pierce  
 Wire Insulation Diameter 1.35mm (.053") max.  
 Wire Size AWG 22  
 Wire/Cable Type Discrete Wire, Ribbon Cable

**Electrical**

Current - Maximum per Contact 3A  
 Voltage - Maximum 250V

**Material Info**



**EU RoHS**  
**ELV and RoHS**  
**Compliant**  
**REACH SVHC**  
**Not Reviewed**  
**Halogen-Free**  
**Status**  
**Not Reviewed**

**China RoHS**



**Need more information on product environmental compliance?**

Email [productcompliance@molex.com](mailto:productcompliance@molex.com)  
 For a multiple part number RoHS Certificate of Compliance, [click here](#)

Please visit the [Contact Us](#) section for any non-product compliance questions.

**Search Parts in this Series**

[70475Series](#)

**Mates With**

[70004](#) Interim Clip (Single Row), [70013](#) Interim Clip (Dual Row)

**Use With**

[7307](#) Tinned 28AWG, [7767](#) Topcoat 28AWG, [24241](#) Tinned 26AWG, [8996](#) Topcoat 26AWG, [24226](#) Tinned 24AWG, [8997](#) Topcoat 24AWG, [24369](#) High Flex 26AWG, [24389](#) High Flex 24AWG

Old Part Number

70475-2177

**Reference - Drawing Numbers**

Product Specification

PS-70400

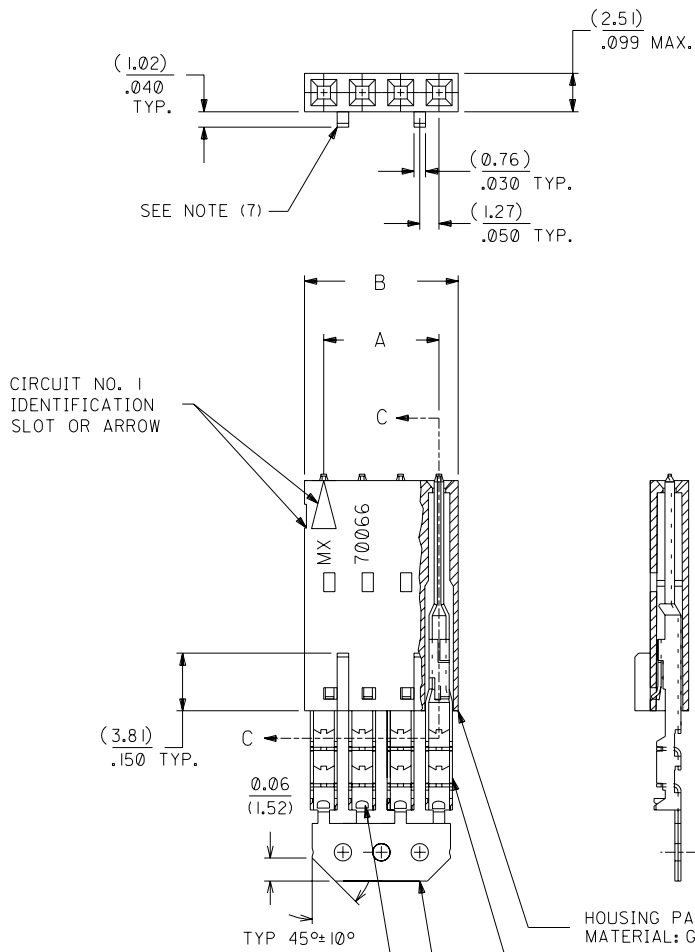
This document was generated on 05/20/2010

**PLEASE CHECK [WWW.MOLEX.COM](http://WWW.MOLEX.COM) FOR LATEST PART INFORMATION**

# OPTION D

**NOTES:**

- 1) TO BE USED WITH (22) AWG. STRANDED WIRE WITH (1.35)/.053 DIA. MAX. INSULATION.
- 2) SEE CHART FOR CIRCUIT SIZES.
- 3) STANDARD PACKAGING PER PK-70873-0001. OPTIONAL PACKAGING MAY BE AVAILABLE, REQUEST DWG. PK-70475.
- 4) PARTS STACKABLE END TO END ON (2.54)/.100 CENTERS.
- 5) REFER TO PRODUCT SPECIFICATION: PS-70475.
- 6) SEE DWG. SDA-70475-\*\*\*\*\* (SHT.3) FOR OPTIONAL HOUSING DETAILS.
- 7) 4 CIRCUIT SHOWN. 3 - 25 CKT'S. HAVE (2) RIBS.
- 8) TO MATE WITH MOLEX PART NO'S.: 70018-\*\*\*\*, 70022-\*\*\*\*, 70104-\*\*\*\*.
- 9) 2 CIRCUIT ASSEMBLIES SUPPLIED AS GROUPED PAIRS.



CIRCUIT NO. 1 IDENTIFICATION SLOT OR ARROW

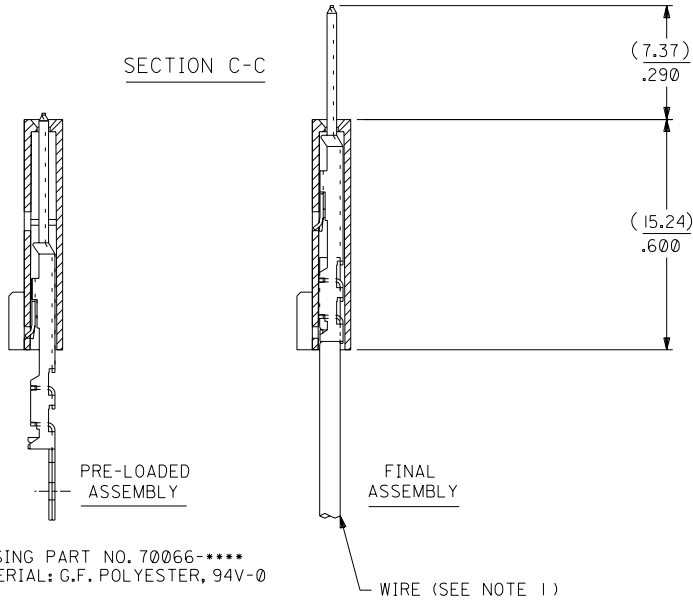
I.D. SLOT CODE TO WIRE GAUGE CHART	
I.D. SLOT CODE	WIRE GAUGE
D	22 AWG.

PLATING CODE (STRIPE ON CARRIER STRIP)	
PLATING	COLOR
TIN	NONE

TERMINAL PART NO. 70110-\*\*\*\*  
MATERIAL: PHOSPHOR BRONZE  
PLATING PER ES-88-\*\*\*  
TIN - .000150 MINIMUM TIN OVER  
.000050 MINIMUM NICKEL PLATE.



**SECTION C-C**



CKT. SIZE	A	B	EDP. NO.	ENG. NO.
2	( 2.54 ) .100	( 5.05 ) .199	14-44-5202	A-70475-2171
3	( 5.08 ) .200	( 7.59 ) .299	14-44-5203	A-70475-2172
4	( 7.62 ) .300	( 10.13 ) .399	14-44-5204	A-70475-2173
5	( 10.16 ) .400	( 12.67 ) .499	14-44-5205	A-70475-2174
6	( 12.70 ) .500	( 15.21 ) .599	14-44-5206	A-70475-2175
7	( 15.24 ) .600	( 17.75 ) .699	14-44-5207	A-70475-2176
8	( 17.78 ) .700	( 20.29 ) .799	14-44-5208	A-70475-2177
9	( 20.32 ) .800	( 22.83 ) .899	14-44-5209	A-70475-2178
10	( 22.86 ) .900	( 25.37 ) .999	14-44-5210	A-70475-2179
11	( 25.54 ) 1.000	( 27.91 ) 1.099	14-44-5211	A-70475-2180
12	( 27.94 ) 1.100	( 30.45 ) 1.199	14-44-5212	A-70475-2181
13	( 30.48 ) 1.200	( 32.99 ) 1.299	14-44-5213	A-70475-2182
14	( 33.02 ) 1.300	( 35.53 ) 1.399	14-44-5214	A-70475-2183
15	( 35.56 ) 1.400	( 38.07 ) 1.499	14-44-5215	A-70475-2184
16	( 38.01 ) 1.500	( 40.61 ) 1.599	14-44-5216	A-70475-2185
17	( 40.64 ) 1.600	( 43.15 ) 1.699	14-44-5217	A-70475-2186
18	( 43.18 ) 1.700	( 45.69 ) 1.799	14-44-5218	A-70475-2187
19	( 45.72 ) 1.800	( 48.23 ) 1.899	14-44-5219	A-70475-2188
20	( 48.26 ) 1.900	( 50.77 ) 1.999	14-44-5220	A-70475-2189
21	( 50.80 ) 2.000	( 53.31 ) 2.099	14-44-5221	A-70475-2190
22	( 53.34 ) 2.100	( 55.85 ) 2.199	14-44-5222	A-70475-2191
23	( 55.88 ) 2.200	( 58.39 ) 2.299	14-44-5223	A-70475-2192
24	( 58.42 ) 2.300	( 60.93 ) 2.399	14-44-5224	A-70475-2193
25	( 60.96 ) 2.400	( 63.47 ) 2.499	14-44-5225	A-70475-2194

\*THE PRIMARY SHIPPING CARTON WILL BE LABELED "COMPLIANT TO RoHS DIRECTIVE 2002/95/EC AND ELV ANNEX II OF DIRECTIVE 2000/53/EC". CARTONS WITHOUT THIS LABEL MAY CONTAIN PRODUCT WITH LEAD.

E	LEAD FREE UCP2004-1769 RWHITE 04/03/24	C	REVISED PER ECR NO. U82124 10-17-88 MGB	DIMENSIONS SHOWN (METRIC) INCH UNLESS OTHERWISE SPECIFIED TOLERANCES: ANGULAR ± 1/2°		▽ = 0	▼ = 0	REVISE ONLY ON CAD SYSTEM
D1	ADD CARRIER CHAMF ECN #UDT1998-0280 05/20/98 LMCGRATH	B	REVISE PER ECR #U81370 5/20/88 MJM	3 PLACE ± .010 ---	INCH METRIC	TITLE ASSEMBLY, SL CONNECTOR (SINGLE ROW- (2.54)/.100 GRID)		
D	164 PLATING WAS 102 PER ECR # U31149 08/09/93 REED	A	RELEASE FOR PROD. PER ERO NO. 25618 11-30-87 AAB	2 PLACE ± .014 ± 0.25		MOLEX INCORPORATED SHEET NO. DATE LITSE, ILL. 60532 U.S.A. I 11/30/87		
LTR.	REVISIONS	LTR.	REVISIONS	1 PLACE --- ± 0.35	DRAWING INFORMATION		PART NO. DRWG. NO. SEE CHART SDA-70475-2171-2194	
				DRAFT WHERE APPLICABLE MUST REMAIN WITHIN DIMENSIONS		FILE NAME 74752171.DWG.		THIS DRAWING CONTAINS INFORMATION THAT IS PROPRIETARY TO MOLEX INC. AND SHOULD NOT BE USED WITHOUT WRITTEN PERMISSION.
				DRWG. BY: AAB	CHK'D. BY:	SCALE: 4 : 1		SIZE: C
				APP'D. BY: WAZ				