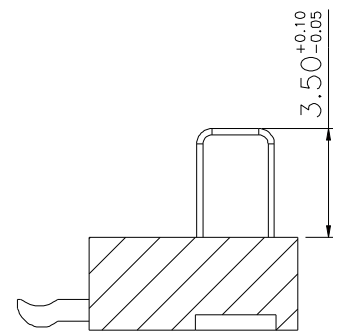
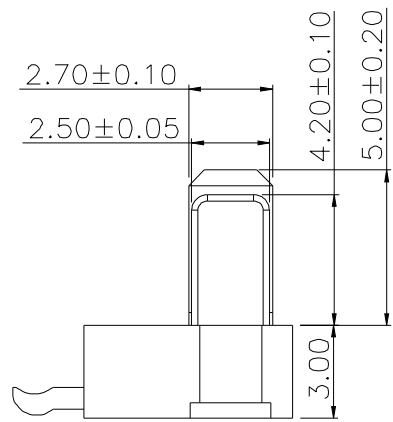
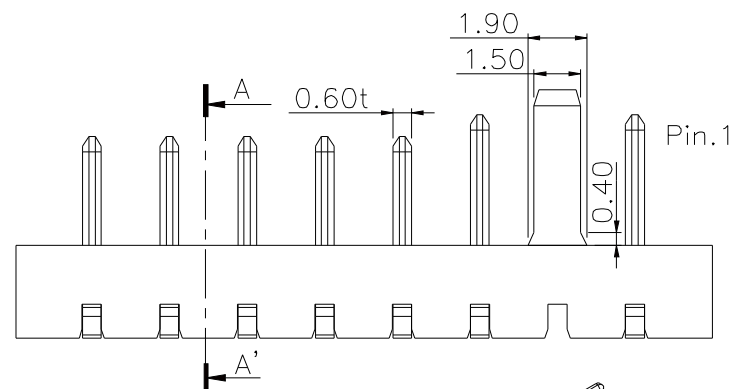
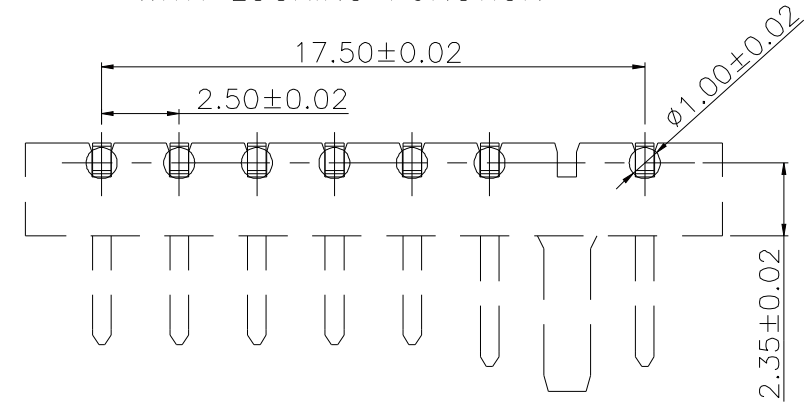
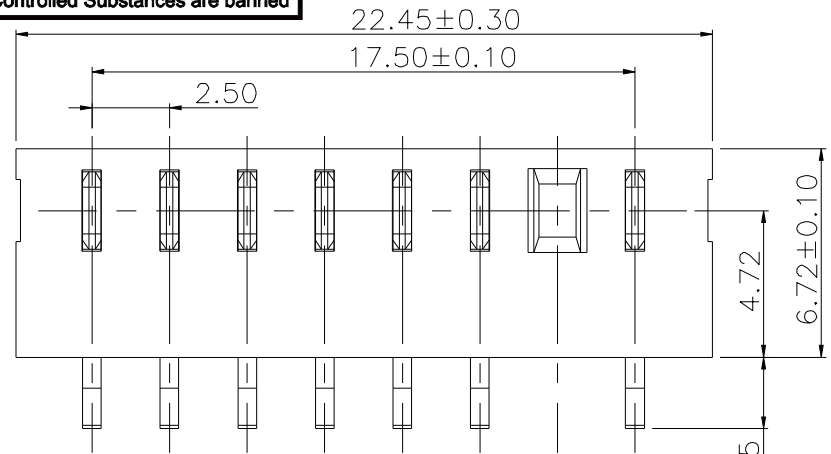


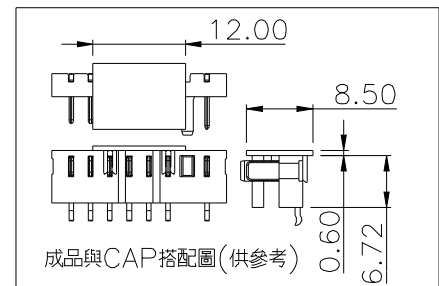
**Pb** RoHS Compliant 2002/95/EC **HSF**  
 Process Capable

Level-1 Controlled Substances are banned

RECOMMENDED P.C.B LAYOUT (COMPONENT SIDE)  
 P.C.B THICKNESS=1.20mm  
 WITH LOCKING FUNCTION



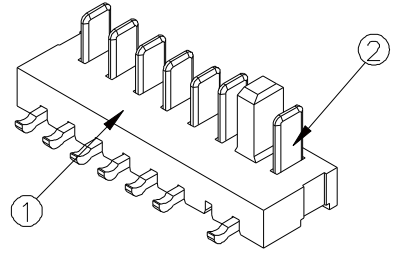
SECTION A-A'



成品與CAP搭配圖(供參考)

NOTE:  
 250133MR007GX58ZR

- 1.SELECTIVE PLATING
- G1-5u" GOLD OVER NICKEL.
- G2-INDICATE GOLD FLASH
- G3-10u" GOLD OVER NICKEL.
- G4-15u" GOLD OVER NICKEL.
- G5-30u" GOLD OVER NICKEL.



3				
2	TERMINAL	COPPER ALLOY		GOLD PLATED
1	PLASTICS	HIGH TEMP PLASTICS	BLACK	UL94V-0
NO.	DESCRIPTION	MATERIAL	COLOR	REMARK

**SUYIN**  
 CONNECTOR

CUSTOMER COPY	TITLE: 2.50mm PITCH BATTERY CONN.			
PART NO.	250133MR007GX58ZR			
PRODUCT SPEC.	250133MX/25033X			
FILE NAME.	D	250133MR007GX58ZR-C		
SCALE	4:1	UNIT:mm	A4	SHEET: 1 of 2

ECN(DCN) NO.	REV	DATE	DESCRIPTION	CHANGE	APPRO.	GENERAL TOLERANCE UNLESS OTHERWISE NOTED
	0		NEW RELEASE	李琳	許俊賢	Angle ±2' 30 ~ ±0.50
	PO	07'/10/15	NEW	劉嫻娜	許俊賢	10 ~ 30 ±0.30
						~ 10 ±0.15
						APPRO. 許俊賢 08'/01/07

DRAW	李琳	08'/01/07
DESIGN	李琳	08'/01/07
CHECK	楊國輝	08'/01/07
APPRO.	許俊賢	08'/01/07