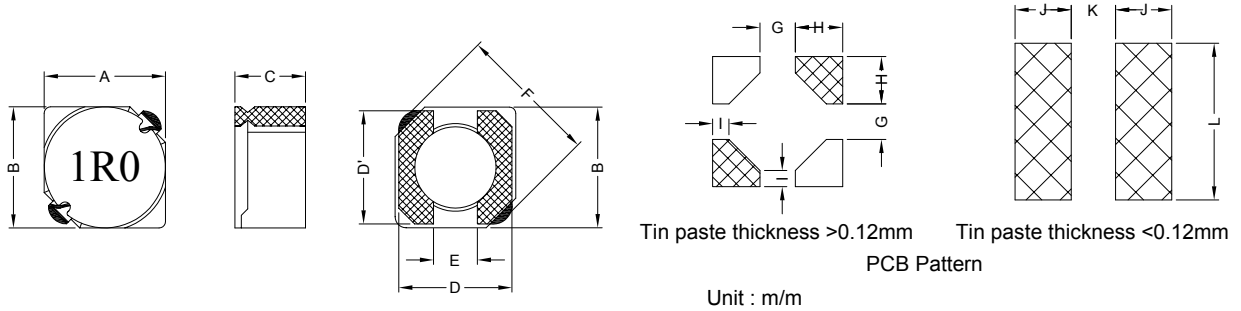


### 1. PART NO. EXPRESSION :

SSC04021R0YZF-□□  
 (a) (b) (c) (d)(e)(f) (g)

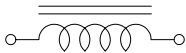
- (a) Series code
- (b) Dimension code
- (c) Inductance code : 1R0 = 1.0uH
- (d) Tolerance code : Y = ±30%
- (e) X, Y, Z : Standard part
- (f) F : RoHS Compliant
- (g) 11 ~ 99 : RoHS Compliant

### 2. CONFIGURATION & DIMENSIONS :

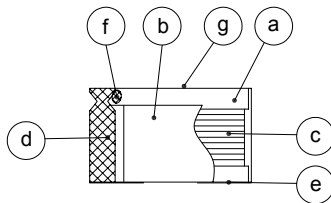


A	B	C	D	D'	E	F
4.70±0.3	4.70±0.3	2.00 Max.	4.50 Ref.	4.50 Ref.	1.50 Ref.	6.90 Max.
G	H	I	J	K	L	
1.70 Ref.	1.80 Ref.	0.80 Ref.	1.90 Ref.	1.50 Ref.	5.30 Ref.	

### 3. SCHEMATIC :



### 4. MATERIALS :



- (a) Core : DR Ferrite Core
- (b) Core : RI Ferrite Core
- (c) Wire : Enamelled Copper Wire
- (d) Terminal : Au+Ni Copper Plate
- (e) Adhesive : Epoxy
- (f) Adhesive : Epoxy
- (g) Ink : Bon Margue



**RoHS Compliant**

NOTE : Specifications subject to change without notice. Please check our website for latest information.

01.10.2010



**SUPERWORLD ELECTRONICS (S) PTE LTD**

**5. GENERAL SPECIFICATION :**

- a) Temp. rise : 40°C Max. at rated current
- b) Rated current : Base on temp. rise &  $\Delta L/L0A = 35\%$  Max.
- c) Storage temp. : -40°C to +125°C
- d) Operating temp. : -40°C to +85°C
- e) Resistance to solder heat : 260°C.10 secs

**6. ELECTRICAL CHARACTERISTICS :**

Part No.	Inductance ( $\mu$ H)	Test Frequency (Hz)	RDC (m $\Omega$ ) Max.	IDC (A) Max.
SSC04021R0YZF-□□	1.0 $\pm$ 30%	0.5V / 7.96 M	45	1.72
SSC04022R2YZF-□□	2.2 $\pm$ 30%	0.5V / 7.96 M	75	1.32
SSC04022R7YZF-□□	2.7 $\pm$ 30%	0.5V / 7.96 M	105	1.28
SSC04023R3YZF-□□	3.3 $\pm$ 30%	0.5V / 7.96 M	110	1.04
SSC04023R9YZF-□□	3.9 $\pm$ 30%	0.5V / 7.96 M	155	0.88
SSC04024R7YZF-□□	4.7 $\pm$ 30%	0.5V / 7.96 M	162	0.84
SSC04025R6YZF-□□	5.6 $\pm$ 30%	0.5V / 7.96 M	170	0.80
SSC04026R8YZF-□□	6.8 $\pm$ 30%	0.5V / 7.96 M	180	0.76
SSC04028R2YZF-□□	8.2 $\pm$ 30%	0.5V / 7.96 M	190	0.68
SSC0402100YZF-□□	10.0 $\pm$ 30%	0.5V / 100 K	200	0.61
SSC0402120YZF-□□	12.0 $\pm$ 30%	0.5V / 100 K	210	0.56
SSC0402150YZF-□□	15.0 $\pm$ 30%	0.5V / 100 K	240	0.50
SSC0402180YZF-□□	18.0 $\pm$ 30%	0.5V / 100 K	338	0.48
SSC0402220YZF-□□	22.0 $\pm$ 30%	0.5V / 100 K	397	0.41
SSC0402270YZF-□□	27.0 $\pm$ 30%	0.5V / 100 K	441	0.35
SSC0402330YZF-□□	33.0 $\pm$ 30%	0.5V / 100 K	694	0.32
SSC0402390YZF-□□	39.0 $\pm$ 30%	0.5V / 100 K	709	0.30



RoHS Compliant

NOTE : Specifications subject to change without notice. Please check our website for latest information.

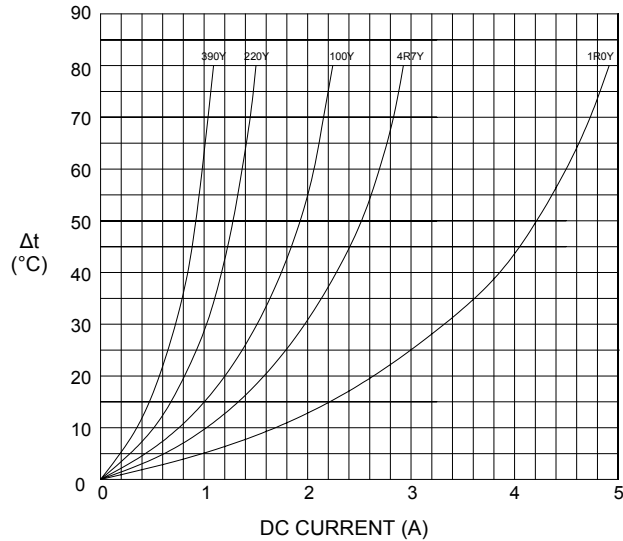
01.10.2010



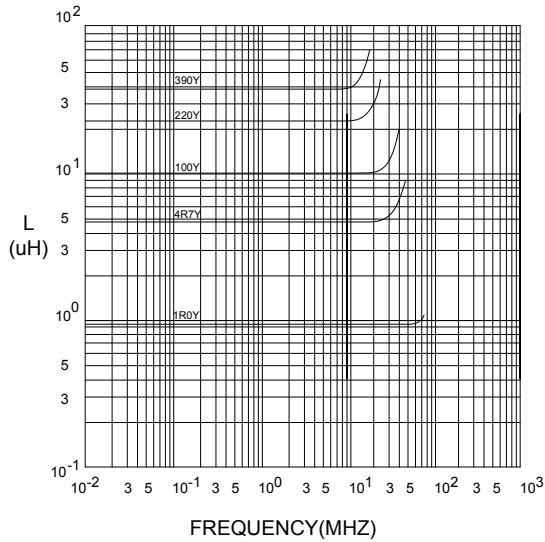
SUPERWORLD ELECTRONICS (S) PTE LTD

## 7. CHARACTERISTICS CURVES :

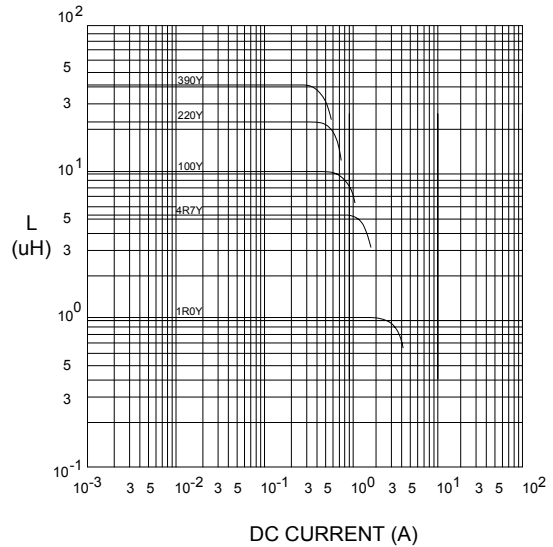
@ TEMP. RISE VS. DC SUPERPOSITION RESPONSE CURVE



@ INDUCTANCE VS. FREQUENCY RESPONSE CURVE



@ INDUCTANCE VS. DC SUPERPOSITION RESPONSE CURVE



NOTE : Specifications subject to change without notice. Please check our website for latest information.



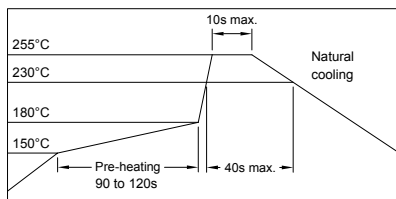
**RoHS Compliant**

01.10.2010



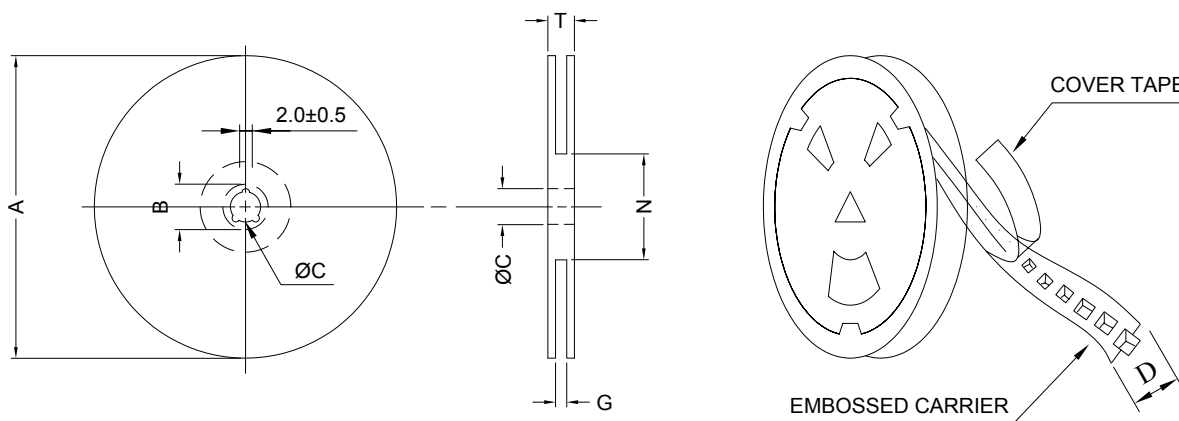
**SUPERWORLD ELECTRONICS (S) PTE LTD**

### RECOMMENDED SOLDERING CONDITIONS REFLOW SOLDERINGS

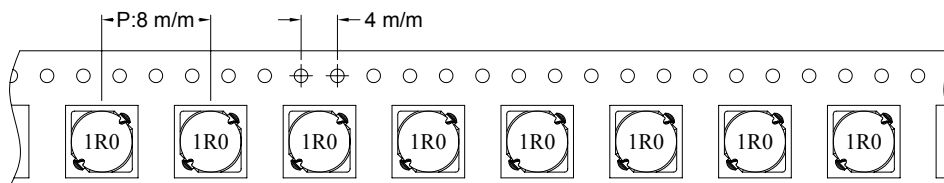


### 8. PACKAGING INFORMATION :

#### ( 1 ) CONFIGURATION



\* CARRIER TAPE WIDTH : D



#### ( 2 ) DIMENSIONS

Unit:m/m

STYLE	A	B	C	D	G	N	T
13-16	330	21±0.8	13	16	18 <sup>+0</sup>	50 <sup>-0</sup>	22.4

#### ( 3 ) Q'TY & G.W. PER PACKAGE

SERIES	INNER : REEL			OUTER : CARTON		
	Q'TY (PCS)	G.W. (gw)	STYLE	Q'TY (PCS)	G.W. (Kg)	SIZE (cm)
SSC0402	3000	2550	13-16	18000	18.8	40 x 40 x 24



**RoHS Compliant**

NOTE : Specifications subject to change without notice. Please check our website for latest information.

01.10.2010

**9. RELIABILITY AND TEST CONDITION :**

TEST ITEM	SPECIFICATION	TEST CONDITION
SOLDERABILITY	MORE THAN 90% OF THE TERMINAL ELECTRODE SHALL BE COVERED WITH FRESH SOLDER.	PREHEAT : 125±25°C FOR 60 SECONDS SOLDER : 99%Sn/0.3%Ag/0.7%Cu OR EQUIVALENT SOLDER TEMP. : 245±5°C FLUX : ROSIN DIP TIME : 4±1 SECONDS
THERMAL SHOCK TEST  ( TEMP. CYCLE )	INDUCTANCE SHALL NOT CHANGE MORE THAN ±20%	ROOM TEMP.      →      -25±2°C 15 MINUTES                      30 MINUTES  ROOM TEMP.      →      85±2°C 15 MINUTES                      30 MINUTES  TOTAL : 50 CYCLES
HUMIDITY RESISTANCE TEST		TEMPERATURE : 40±2°C HUMIDITY : 90 ~ 95% APPLIED CURRENT : PER SPEC. TIME : 500 HOURS
HIGH TEMP. RESISTANCE TEST		TEMPERATURE : 85±2°C APPLIED CURRENT : PER SPEC. TIME : 500 HOURS

**10. UL CARD :**

<b>OBMW2</b>		<b>November 30, 2000</b>	
<b>Magnet Wire - Component</b>			
PACIFIC ELECTRIC WIRE & CABLE (SHENZHEN) CO LTD 607 BAOLONG INDUSTRIAL ESTATE LONGGANG, SHENZHEN GUANGDONG CHINA			E201757
Mtl Dsg	BC	TC	ANSI Type
UEW/U	Polyurethane	—	TI 130
PEW/U	Polyester	—	MW5-C 155°C
PEWH/U	Modified Polyester	—	MW30-C 180
PEW-NY/U	Polyester	Polyamide	MW24-C 155
HAI/U	Polyester(Amide)(Imide)	Polyamideimide	MW35,73 200
UEW-NY/U	Polyurethane	Polyamide	MW80-C 155 MW28-C 130
<p><b>Marking: Company name and material designation or marked designation on package or reel, and Recognized Component Mark.</b></p> <p>See General Information Preceding These Recognitions</p>			
1/3/2001	Underwriters Laboratories Inc.	Card 1 of 2	



**RoHS Compliant**

NOTE : Specifications subject to change without notice. Please check our website for latest information.

01.10.2010

