

PLEASE CHECK WWW.MOLEX.COM FOR LATEST PART INFORMATION

Part Number: [5019125190](#)
Status: **Active**
Description: 0.30mm (.012") Pitch Easy-On™ FPC Connector, Right Angle, SMT, Bottom Contact Style, 1.80mm (.071") Mated Height, 51 Circuits

Documents:

[3D Model](#) [Product Specification PS-501912-001 \(PDF\)](#)
[Drawing \(PDF\)](#) [RoHS Certificate of Compliance \(PDF\)](#)

General

Product Family FFC/FPC Connectors
 Series [501912](#)
 Product Name Easy-On™

Physical

Circuits (Loaded) 51
 Circuits (maximum) 51
 Color - Resin Black, Natural
 Contact Position Bottom
 Durability (mating cycles max) 20
 Entry Angle 90° Angle
 Mated Height (in) 0.071 In
 Mated Height (mm) 1.80 mm
 Material - Metal Copper, Phosphor Bronze
 Material - Plating Mating Gold
 Material - Plating Termination Gold
 Material - Resin High Temperature Thermoplastic
 Number of Rows 1
 Orientation Right Angle
 PCB Locator No
 PCB Retention None
 Packaging Type Embossed Tape on Reel
 Pitch - Mating Interface (in) 0.012 In
 Pitch - Mating Interface (mm) 0.30 mm
 Pitch - Term. Interface (in) 0.012 In
 Pitch - Term. Interface (mm) 0.30 mm
 Plating min: Mating (µin) 4
 Plating min: Mating (µm) 0.1
 Plating min: Termination (µin) 2
 Plating min: Termination (µm) 0.05
 Polarized to PCB No
 Stackable No
 Surface Mount Compatible (SMC) Yes
 Temperature Range - Operating -20°C to +85°C
 Termination Interface: Style Surface Mount
 Wire/Cable Type FPC only

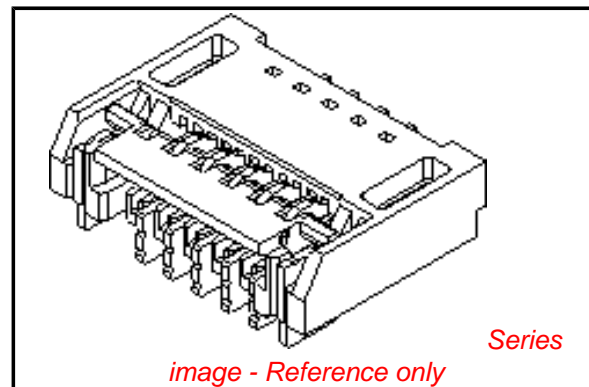
Electrical

Current - Maximum per Contact 0.2A
 Voltage - Maximum 50V AC (RMS)/DC

Material Info

Reference - Drawing Numbers

Product Specification PS-501912-001, RPS-501912-003
 Sales Drawing SD-501912-001, SD-501912-002



EU RoHS

ELV and RoHS Compliant
REACH SVHC
 Not Reviewed
Halogen-Free Status
Not Reviewed

China RoHS



Need more information on product environmental compliance?

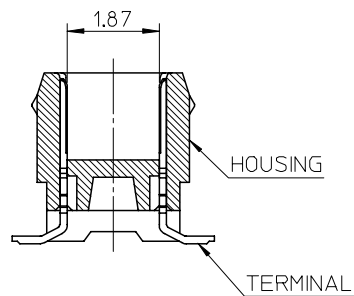
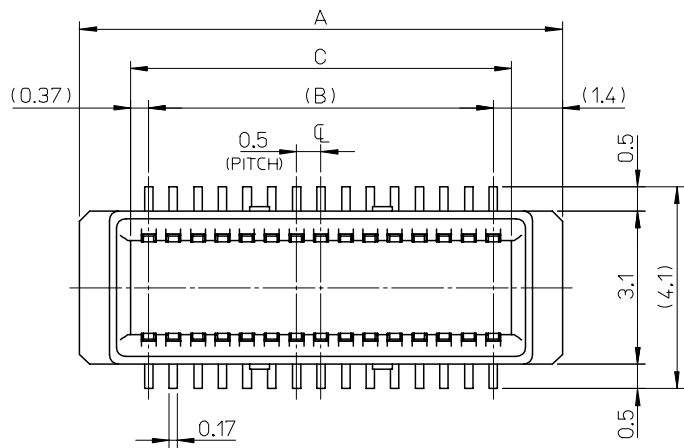
Email productcompliance@molex.com
 For a multiple part number RoHS Certificate of Compliance, [click here](#)

Please visit the [Contact Us](#) section for any non-product compliance questions.

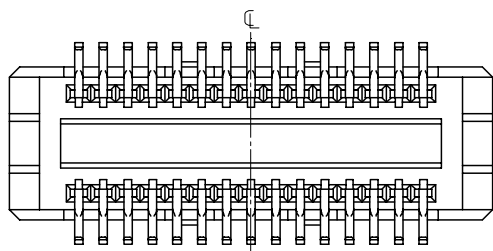
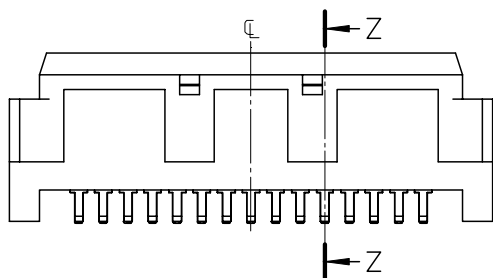
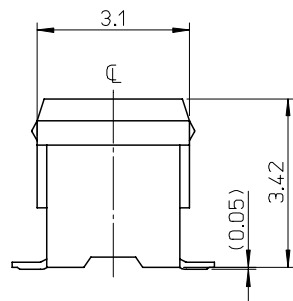
Search Parts in this Series
[501912Series](#)

This document was generated on 04/07/2010

PLEASE CHECK WWW.MOLEX.COM FOR LATEST PART INFORMATION



SECTION Z-Z

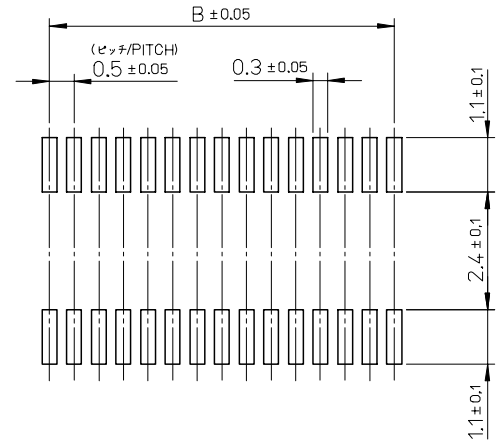
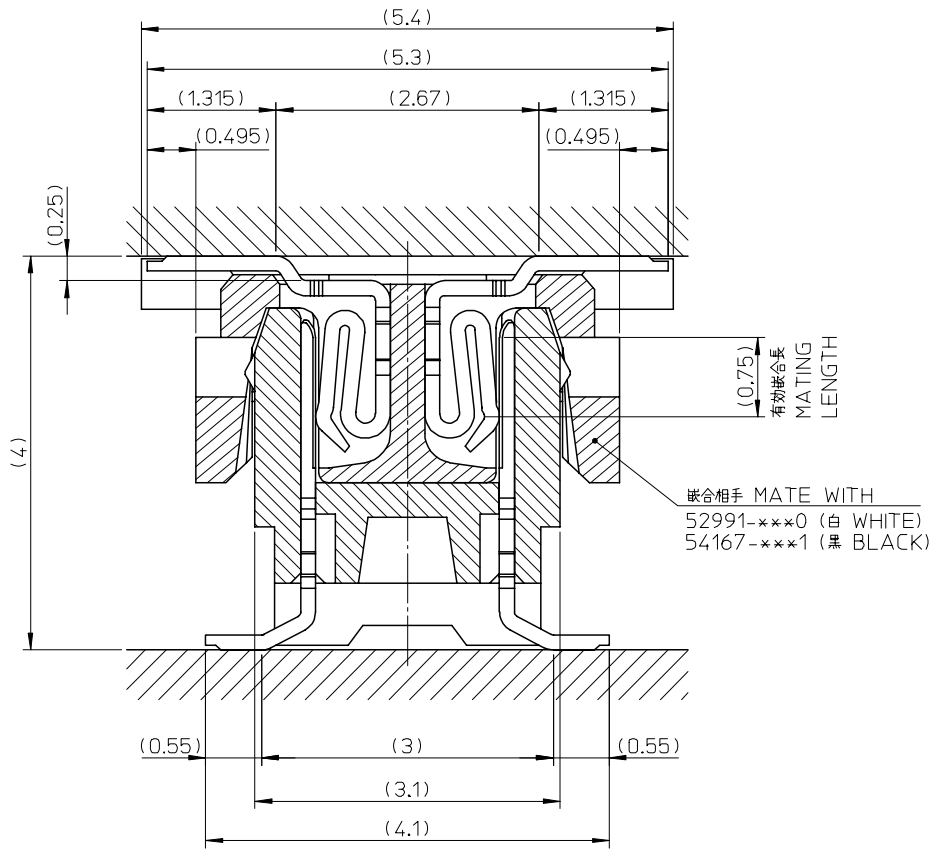


NOTES

- 材質
MATERIAL
ハウジング: LCP(液晶ポリマー)、ガラス充填、黒色、UL94V-0
HOUSING: GLASS FILLED LIQUID CRYSTAL POLYMER ,BLACK ,UL94V-0
ターミナル: 銅合金 (t=0.15)
TERMINAL: COPPER ALLOY (t=0.15)
- メッキ仕様
PLATING
ターミナル
TERMINAL
接点部: 金メッキ
CONTACT AREA: GOLD
半田付け部: 錫メッキ
SOLDER TAIL AREA: TIN
下地メッキ: ニッケルメッキ
UNDER PLATING: NICKEL
- テール平坦度: 0.1 MAX.
COPLANARITY: 0.1 MAXIMUM
- ELV AND RoHS COMPLIANT.

10.24	9.5	12.3	501920-4001	501920-4009	40
7.74	7.0	9.8	501920-3001	501920-3009	30
C	B	A	エンボス梱包 EMBOSSSED TAPE PACKAGING	製品番号 MATERIAL NO.	CIRCUIT

REVISED EC NO: J2007-3102 DRWN: A0YAGI 2007/05/24 CHKD: M SOGAYA 2007/05/25 APPR: NUKITA 2007/05/25	GENERAL TOLERANCES (UNLESS SPECIFIED)		DIMENSION STYLE MM ONLY		SCALE 10:1	DESIGN UNITS METRIC	THIRD ANGLE PROJECTION
	10 UNDER	±0.2	DRAWN BY M. ISOGAYA	DATE 2005/08/17	TITLE 0.5 PITCH B/B CONN. PLUG HSG ASSY		
	10 OVER 30 UNDER	±0.25	CHECKED BY T. HIRATA	DATE 2005/08/17			
	30 OVER	±0.3	APPROVED BY M. SASAO	DATE 2005/08/17			
ANGULAR ±1 °		DRAFT WHERE APPLICABLE MUST REMAIN WITHIN DIMENSIONS		MATERIAL NO. SEE TABLE		DOCUMENT NO. SD-501920-001	SHEET NO. 1 OF 2



参考基板レイアウト (マウント面)
 RECOMMENDED P.C.BOARD
 PATTERN DIMENSION (REF.)
 (MOUNT AREA) (SCALE 10:1)

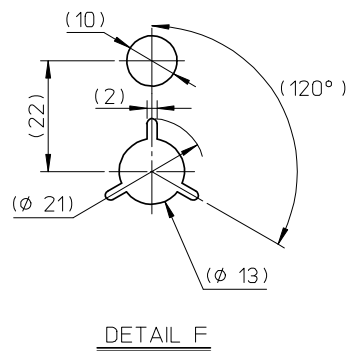
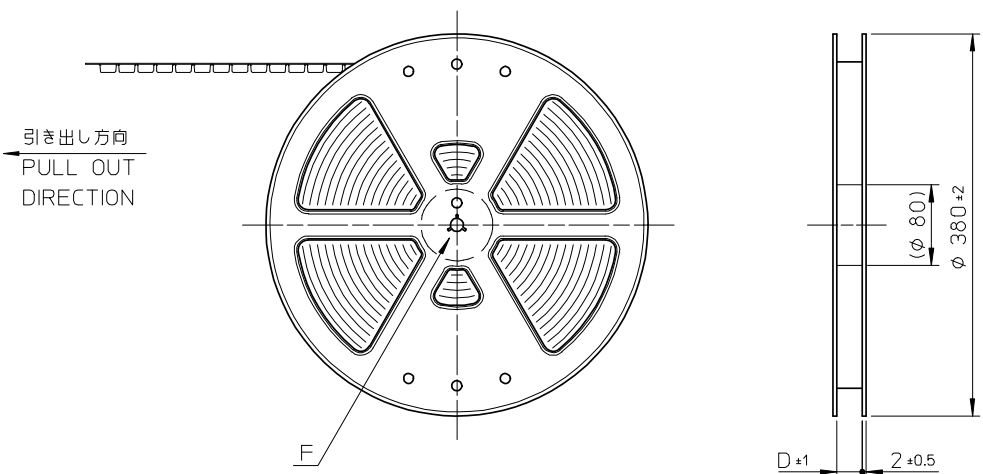
嵌合断面図(参考)
 MATED DRAWING (REF.)

REVISED	DESCRIPTION
EC NO: J2007-3102	2007/05/24
DRWN: A0YAGI	2007/05/25
CHKD: M.SOGAYA	2007/05/25
APPR: NUKITA	2007/05/25

GENERAL TOLERANCES (UNLESS SPECIFIED)	
10 UNDER	± 0.2
10 OVER 30 UNDER	± 0.25
30 OVER	± 0.3
ANGULAR	$\pm 1^\circ$
DRAFT WHERE APPLICABLE MUST REMAIN WITHIN DIMENSIONS	

DIMENSION STYLE	
MM ONLY	
DRAWN BY	DATE
M. ISOGAYA	2005/08/17
CHECKED BY	DATE
T. HIRATA	2005/08/17
APPROVED BY	DATE
M. SASAO	2005/08/17
MATERIAL NO.	
SEE SHEET 1	
SIZE	
A3	

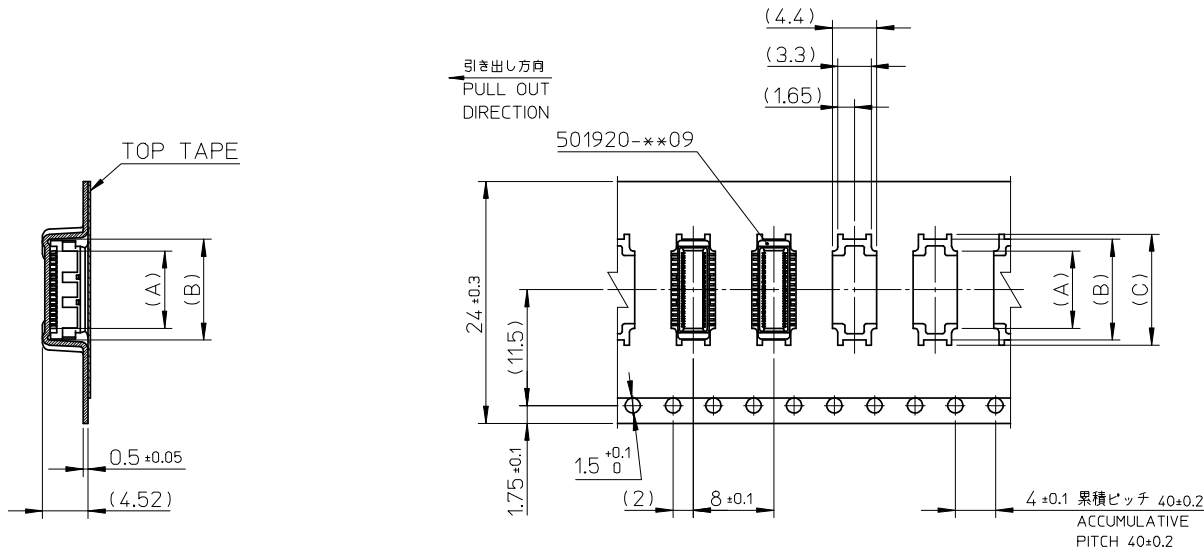
501920-**09		MODEL NO.
SCALE	DESIGN UNITS	THIRD ANGLE PROJECTION
20:1	METRIC	
TITLE		
0.5 PITCH B/B CONN. PLUG HSG ASSY		
MOLEX INCORPORATED		
DOCUMENT NO.		SHEET NO.
SD-501920-001		2 OF 2



NOTES

- 製品詳細寸法については、製品単体図面を御参照下さい。
For detail of connector dimensions, please see the drawing of connector itself (not packaged)
 - 梱包数量 : 1500 個/リール
NUMBER OF CONNECTORS : 1500 PCS/REEL
 - リードテープ長さ
LEAD TAPE LENGTH
-
- トップテープの剥離強度 : 0.1N ~ 1.3N (10gf ~ 130gf)
(剥離方向は下図参照)
尚、本規格値は、出荷時に適用。(但し、輸送時に剥離が発生しない事。)
PEELING OFF FORCE OF TOP TAPE 0.1N~1.3N (10gf~130gf)
(PEELING DIRECTION AS SHOWN IN FOLLOWING FIG.)
THIS REQUIREMENT SHOULD BE APPLIED AT SHIPMENT.
(PEEL OFF SHOULD NOT BE ALLOWED, DURING TRANSPORTATION.)
-
- 材料
キャリアテープ : ポリプロピレン
トップテープ : PET ,PE ,PEF
リール : ポリスチレン(PS) <リサイクル材を含む>
MATERIAL
CARRIER TAPE : POLYPROPYLENE
TOP TAPE : PET ,PE ,PEF
REEL : POLYSTYRENE(PS) <RECYCLE MATERIAL CONTAINED>
 - ELV AND RoHS COMPLIANT.

REVISED EC NO: J2008-2863 DRWN:TKAHO 2008/01/29 CHKD:MSASAO 2008/01/29 APPR:MSASAO 2008/02/05	DESCRIPTION	GENERAL TOLERANCES (UNLESS SPECIFIED)		DIMENSION STYLE MM ONLY		501920-**01		MODEL NO.	
		10 UNDER ±0.2		DRAWN BY DATE		SCALE	DESIGN UNITS	THIRD ANGLE PROJECTION	
		10 OVER 30 UNDER ±0.25		M. ISOGAYA 2005/08/18		#	METRIC	TITLE	
		30 OVER ±0.3		CHECKED BY DATE		EMBSTP PKG FOR 0.5 PITCH B/B CONN. PLUG HSG ASSY			
REV	DESCRIPTION	ANGULAR ±1 °		APPROVED BY DATE		MOLEX INCORPORATED			
		DRAFT WHERE APPLICABLE MUST REMAIN WITHIN DIMENSIONS		M. SASAO 2005/08/18		DOCUMENT NO.		SHEET NO.	
		SEE SHEET 2		SD-501920-002		1 OF 2			
SIZE		THIS DRAWING CONTAINS INFORMATION THAT IS PROPRIETARY TO MOLEX INCORPORATED AND SHOULD NOT BE USED WITHOUT WRITTEN PERMISSION							
A3									



24mm幅キャリアテープ
24mm WIDTH CARRIER TAPE

24	25.4	16.0	15.0	12.67	501920-5001	50
		13.5	12.5	10.17	501920-4001	40
		11.0	10.0	7.67	501920-3001	30
キャリアテープ幅 CARRIER TAPE WIDTH	D	(C)	(B)	(A)	MATERIAL NO.	CIRCUIT

REVISED EC NO: J2008-2863 DRWN:TKAIHO 2008/01/29 CHKD:MSASAO 2008/01/29 APPR:MSASAO 2008/02/05 REV DESCRIPTION	GENERAL TOLERANCES (UNLESS SPECIFIED)		DIMENSION STYLE MM ONLY		SCALE //	DESIGN UNITS METRIC	THIRD ANGLE PROJECTION
	10 UNDER	±0.2	DRAWN BY M. ISOGAYA	DATE 2005/08/18	TITLE EMBSTP PKG FOR 0.5 PITCH B/B CONN. PLUG HSG ASSY		
	10 OVER 30 UNDER	±0.25	CHECKED BY T. HIRATA	DATE 2005/08/18	MOLEX INCORPORATED		
	30 OVER	±0.3	APPROVED BY M. SASAO	DATE 2005/08/18	DOCUMENT NO. SD-501920-002		
	ANGULAR ±1 °	DRAFT WHERE APPLICABLE MUST REMAIN WITHIN DIMENSIONS		MATERIAL NO. SEE TABLE		SHEET NO. 2 OF 2	
		THIS DRAWING CONTAINS INFORMATION THAT IS PROPRIETARY TO MOLEX INCORPORATED AND SHOULD NOT BE USED WITHOUT WRITTEN PERMISSION					