

PLEASE CHECK WWW.MOLEX.COM FOR LATEST PART INFORMATION

Part Number: [0681830005](#)
Status: **Active**
Description: USA AC-DC Adapter for Optical Graphic Extension Module

Documents:

[Drawing \(PDF\)](#) [RoHS Certificate of Compliance \(PDF\)](#)
[Product Specification PS-68183-001 \(PDF\)](#)

General

Product Family	I/O Connectors
Series	68183
Application	Wire-to-Board
Component Type	Adapter
Product Name	N/A
Type	N/A

Physical

Boot Color	N/A
Circuits (Loaded)	2
Circuits (maximum)	2
Durability (mating cycles max)	500
Gender	Plug
Keying to Mating Part	None
Lock to Mating Part	No
Material - Plating Mating	Gold
Number of Rows	1
Orientation	Vertical
PCB Locator	No
PCB Retention	None
PCB Thickness Recommended (in)	0.063 In
PCB Thickness Recommended (mm)	1.60 mm
Packaging Type	Bag
Panel Mount	No
Pitch - Mating Interface (in)	0.476 In
Pitch - Mating Interface (mm)	12.10 mm
Pitch - Term. Interface (in)	0.476 In
Pitch - Term. Interface (mm)	12.10 mm
Polarized to Mating Part	No
Polarized to PCB	N/A
Ports	0
Surface Mount Compatible (SMC)	No
Temperature Range - Operating	0°C to +50°C
Termination Interface: Style	Through Hole
Waterproof / Dustproof	No
Wire Insulation Diameter	N/A
Wire Size AWG	N/A

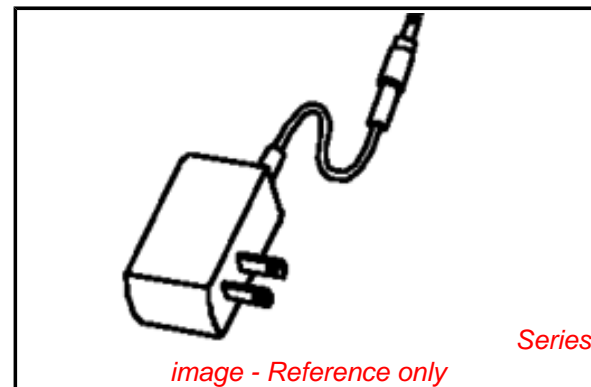
Electrical

Current - Maximum per Contact	0.1A
Grounding to Panel	N/A
Shielded	No
Voltage - Maximum	240V AC

Material Info

Reference - Drawing Numbers

Product Specification	PS-68183-001
-----------------------	--------------



EU RoHS

**ELV and RoHS
Compliant**
REACH SVHC
 Not Reviewed
Halogen-Free
Status
Not Reviewed

China RoHS



**Need more information on product
environmental compliance?**

Email productcompliance@molex.com
 For a multiple part number RoHS Certificate of
 Compliance, [click here](#)

Please visit the [Contact Us](#) section for any
 non-product compliance questions.

Search Parts in this Series

[68183Series](#)

Mates With

[68183 Extension Module](#)

This document was generated on 04/02/2010

PLEASE CHECK WWW.MOLEX.COM FOR LATEST PART INFORMATION

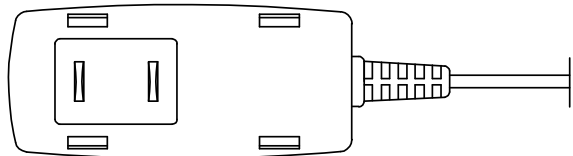
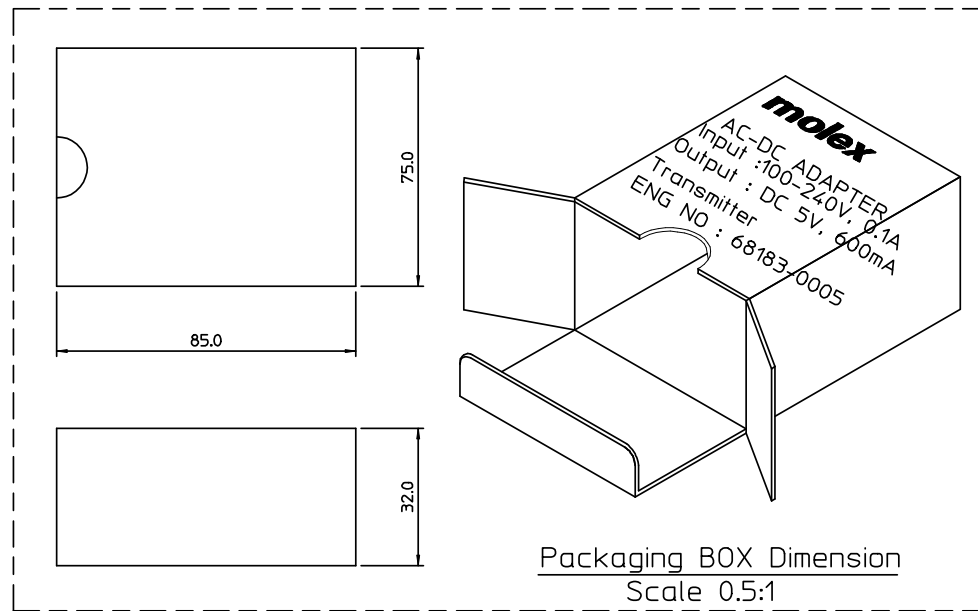
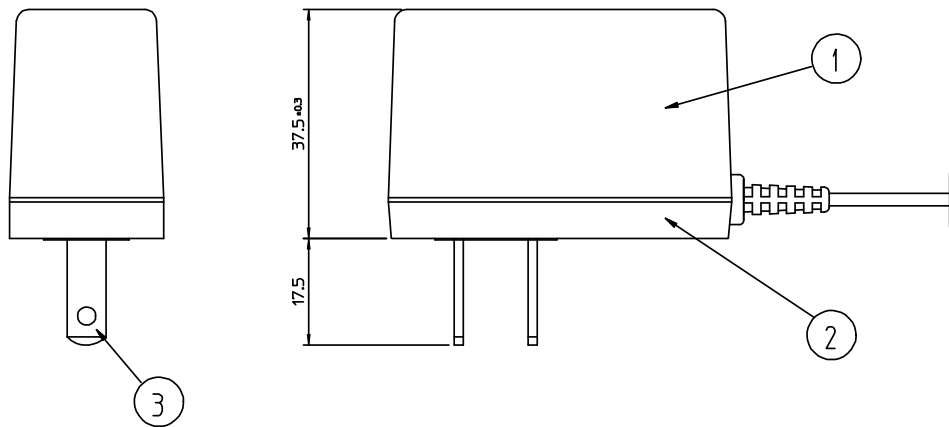
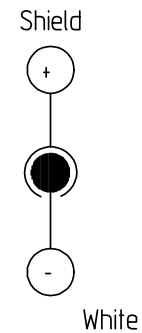
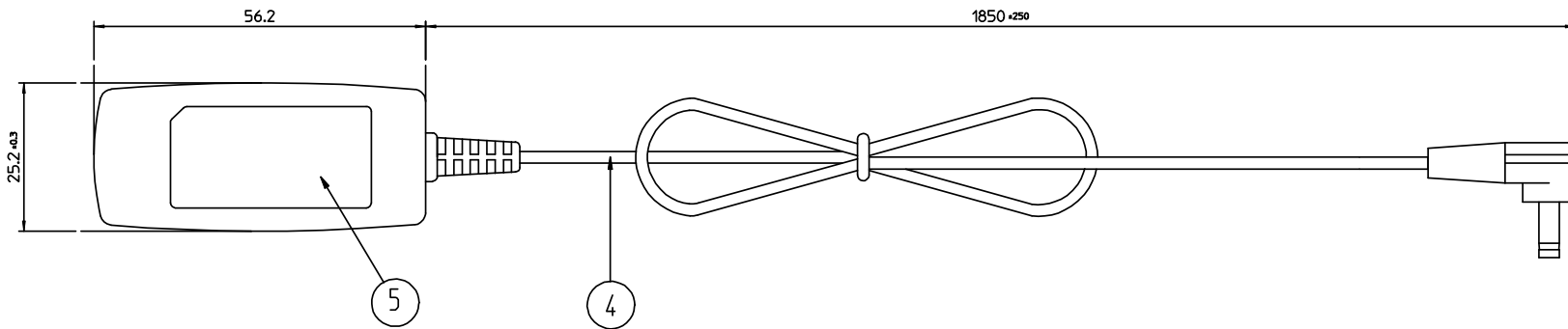


TABLE B

No	Description	SPEC.
1	Case top	PC or PC/ABS
2	Case bottom	
3	AC plug tetminal	USA type
4	DC cord ASS'Y	12.1X 15.5X11
5	Label	Designation

NOTES

1. Input : 100-240V
50/60Hz 0.1A
2. Output : DC 5V, 600mA

TABLE A

NO	ENG NO	MATERIAL NO	CABLE LENGTH
1	68183-0005	681830005	1850mm

REVISED
 EC NO: KOR2008-0177
 DRWN:HJEONG 2008/06/11
 CH'KD:YSOOKIM 2008/06/11
 APPR:YUNSIKKIM 2008/06/12

QUALITY SYMBOLS
 ▽=0
 ▽=0

GENERAL TOLERANCES (UNLESS SPECIFIED)

	mm	INCH
4 PLACES	± ---	± ---
3 PLACES	± ---	± ---
2 PLACES	± ---	± ---
1 PLACE	± ---	± ---

ANGULAR ± --- °

DRAFT WHERE APPLICABLE
 MUST REMAIN WITHIN DIMENSIONS

DIMENSION STYLE
 MM ONLY

DRAWN BY DATE
 YS00KIM 2002/04/22

CHECKED BY DATE
 YS1KKIM 2002/04/22

APPROVED BY DATE
 CWLEE 2002/04/22

MATERIAL NO.
 SEE TABLE

SIZE
 A3

SCALE 1:1
 DESIGN UNITS METRIC
 THIRD ANGLE PROJECTION

AD-DC ADAPTER FOR
 68183 TRANSMITTER(USA)

molex MOLEX INCORPORATED

DOCUMENT NO. SD-68183-003
 SHEET NO. 1 OF 1

THIS DRAWING CONTAINS INFORMATION THAT IS PROPRIETARY TO MOLEX INCORPORATED AND SHOULD NOT BE USED WITHOUT WRITTEN PERMISSION