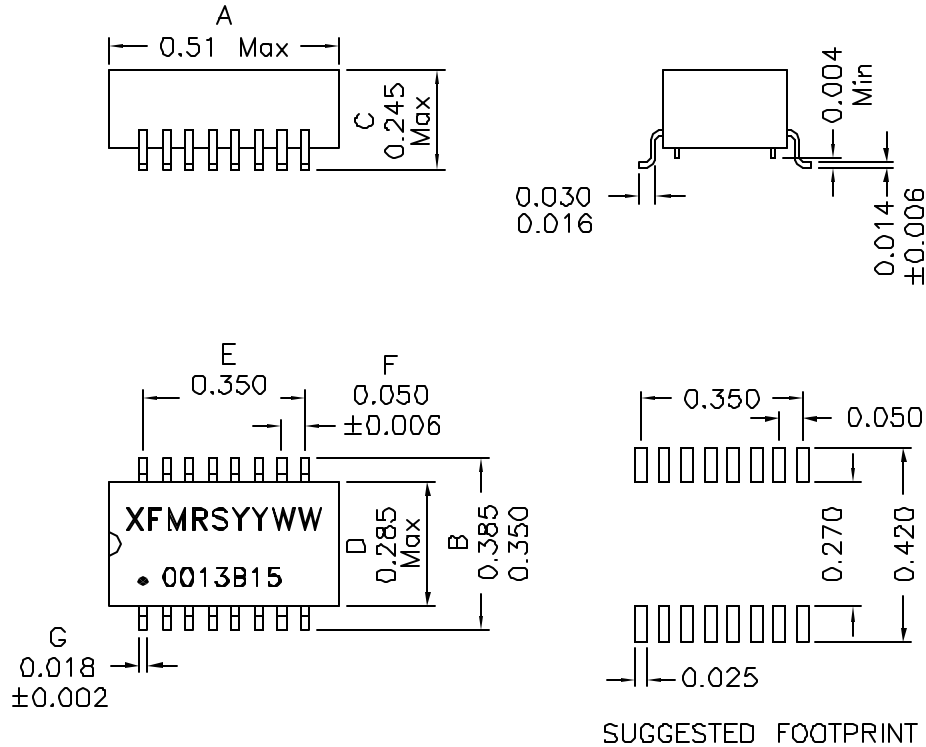
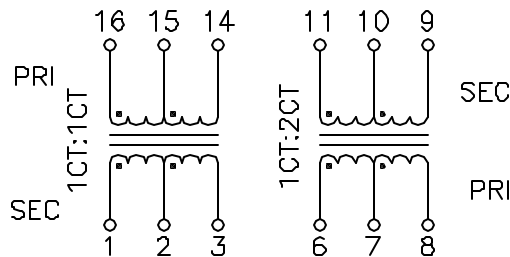


1. Mechanical Dimensions:



2. Schematic:



3. Electrical Specifications:@25°C

Isolation Voltage: 1500Vac, 2 Seconds

Turns Ratio: (16-15-14):(1-2-3)=1CT:1CT±2%

(6-7-8):(11-10-9)=1CT:2CT±2%

OCL: Pins 16-14 1.2mH Min @100KHz 50mV

Pins 6-8 1.2mH Min @100KHz 50mV

Q: Pins 6-8 16-14 8 Min @10KHz 50mV

Cw/w: 30pF Max @100KHz 50mV (Pri/Sec)

Pri LL: 0.6uH Max @100KHz 50mV (short Secondary)

PRI DC Res: 0.70 Ohms Max

DC Res: Pins 1-3 0.70 Ohms Max

Pins 11-9 1.15 Ohms Max

Notes:

- Solderability: Leads shall meet MIL-STD-202G, Method 208H for solderability.
- Flammability: UL94V-0
- ASTM oxygen Index: > 28%
- UL Recognized Component, file #E165865, category WYQQ2.
- Operating Temperature Range: All listed parameters are to be within tolerance from -40°C to +85°C
- Storage Temperature Range: -55°C to +125°C
- Aqueous wash compatible
- SMD Lead Coplanarity: ±0.004"(0.102mm)
- Electrical and mechanical specifications 100% tested
- RoHS Compliant Component

XFMRS Inc www.XFMRS.com	Title: T1/CEPT/DS3 Surface Mount Transformers	
	UNLESS OTHERWISE SPECIFIED TOLERANCES: .xxx ±0.010 Dimensions in Inch	P/N: XF0013B15 REV. B
SHEET 1 OF 1	DWN.	Mei Chen Aug-16-10
	CHK.	YK Liao Aug-16-10
APP.	Joe Huff Aug-16-10	

DOC REV: B/15