

**PLEASE CHECK WWW.MOLEX.COM FOR LATEST PART INFORMATION**

**Part Number:** [0391001212](#)  
**Status:** **Active**  
**Description:** 12.00mm (.472") Pitch Beau™ Eurostyle™ Two-Screw Terminal Strips, 12 Circuits

**Documents:**

[3D Model](#) [RoHS Certificate of Compliance \(PDF\)](#)  
[Drawing \(PDF\)](#)

**Agency Certification**

CSA 25562  
 UL E82573

**General**

Product Family Terminal Blocks  
 Series [39100](#)  
 Application Wire-to-Wire  
 Component Type One Piece  
 Product Literature Order No USA-303  
 Product Name Eurostyle™ Two Screw  
 Type Euro Block

**Physical**

Circuits (Loaded) 12  
 Entry Angle Horizontal  
 Flammability 94V-2  
 Lock to Mating Part None  
 Number of Rows 2  
 Orientation Vertical  
 PCB Retention Yes  
 Panel Mount Mounting Holes Between Circuit  
 Pitch - Mating Interface (in) 0.472 In  
 Pitch - Mating Interface (mm) 12.00 mm  
 Pitch - Term. Interface (in) 0.315 In  
 Pitch - Term. Interface (mm) 8.00 mm  
 Polarized to Mating Part No  
 Stackable No  
 Temperature Range - Operating 100°C  
 Wire Size AWG 10, 12, 14, 16, 18, 20, 8

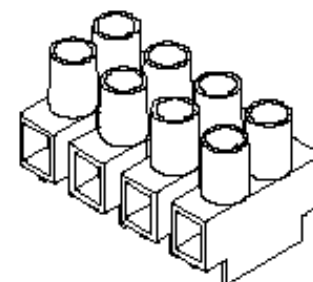
**Electrical**

Current - Maximum per Contact 40A  
 Voltage - Maximum 600V

**Material Info**

**Reference - Drawing Numbers**

Sales Drawing SD-39100-006



*image - Reference only* Series

**EU RoHS**

**ELV and RoHS  
 Compliant**  
**REACH SVHC  
 Contains SVHC: No**  
**Halogen-Free  
 Status  
 Not Reviewed**

**China RoHS**

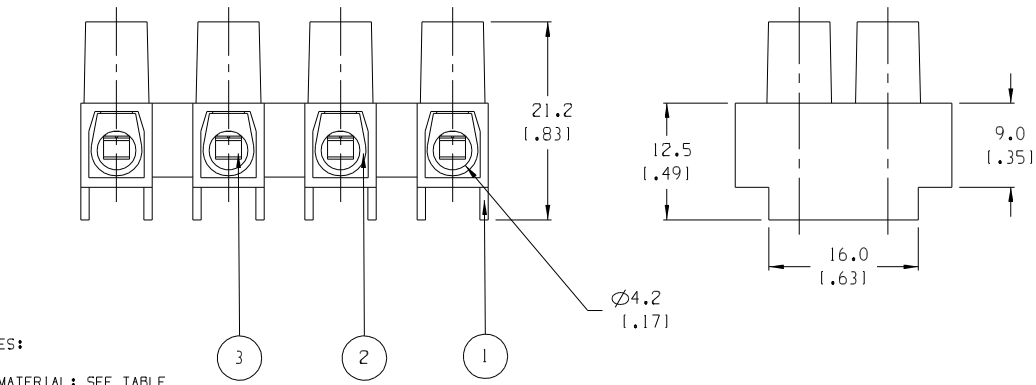
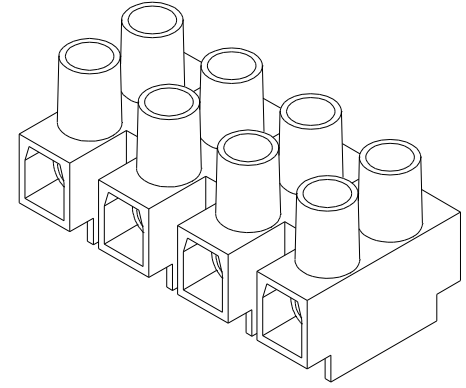
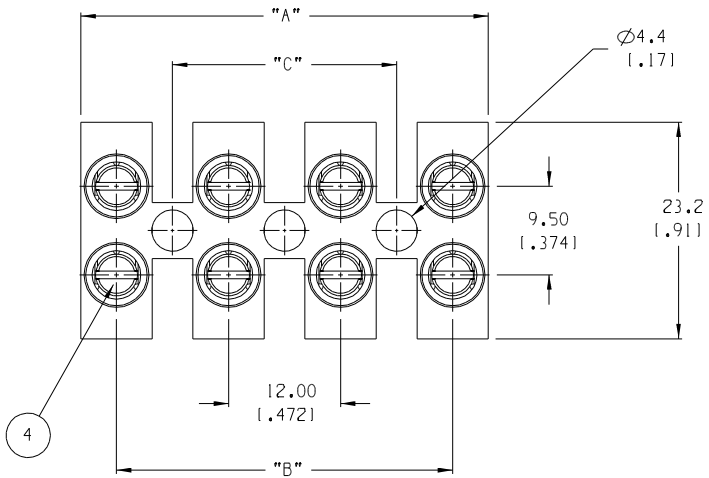


**Need more information on product  
 environmental compliance?**

Email [productcompliance@molex.com](mailto:productcompliance@molex.com)  
 For a multiple part number RoHS Certificate of  
 Compliance, [click here](#)

Please visit the [Contact Us](#) section for any  
 non-product compliance questions.

**Search Parts in this Series**  
[39100Series](#)



NUMBER OF CIRCUITS	"A" DIM.	"B" DIM.	"C" DIM.	MATERIAL NUMBER
01	8.00 (1.315)	N/A	N/A	391001201
02	20.00 (1.787)	12.00 (1.472)	N/A	391001202
03	32.00 (1.260)	24.00 (1.944)	12.00 (1.472)	391001203
04	44.00 (1.732)	36.00 (1.416)	24.00 (1.945)	391001204
05	56.00 (1.205)	48.00 (1.888)	36.00 (1.417)	391001205
06	68.00 (1.677)	60.00 (1.2359)	48.00 (1.890)	391001206
07	80.00 (1.150)	72.00 (1.2831)	60.00 (1.2362)	391001207
08	92.00 (1.622)	84.00 (1.303)	72.00 (1.2835)	391001208
09	104.00 (1.094)	96.00 (1.3775)	84.00 (1.307)	391001209
10	116.00 (1.567)	108.00 (1.247)	96.00 (1.3780)	391001210
11	128.00 (1.539)	120.00 (1.4719)	108.00 (1.4252)	391001211
12	140.00 (1.512)	132.00 (1.519)	120.00 (1.4724)	391001212

- NOTES:
1. MATERIAL: SEE TABLE
  2. FINISHES: SEE TABLE
  3. PRODUCT SPECIFICATION: NOT REQUIRED
  4. PACKAGING: NOT REQUIRED
  5. MATES WITH: NONE
  6. "XX" REFERS TO THE NUMBER OF CIRCUITS

ITEM	QTY.	DESCRIPTION	MATERIAL	FINISH
4	XX*2	CLAMPING SCREWS, M3.5	STEEL	ZINC
3	XX	WIRE PROTECTOR	BRASS	NICKEL
2	XX	TERMINAL	BRASS	NICKEL
1	1	INSULATOR	NYLON 6	CLEAR

EC NO. RELEASED DRWING: JF 09-16-04 CH'K: APPR:	QUALITY SYMBOLS MAJOR CRITICAL SPC S	GENERAL TOLERANCES: (UNLESS SPECIFIED)		SCALE 2:1	DESIGN UNITS <input type="checkbox"/> mm <input checked="" type="checkbox"/> INCH	THIRD ANGLE PROJECTION	DIMENSIONS: <input checked="" type="checkbox"/> mm <input type="checkbox"/> INCH <input type="checkbox"/> mm ONLY		PROJECT NO. - - - SHT REV
		4 PLACES mm INCH ±.0015 ±.005		DRAWN BY & DATE J.FARMER 09-16-04		TITLE: 12MM HIGH PROFILE WITH WIRE PROTECTORS			
		3 PLACES ±.038 ±.005		CHECKED BY & DATE		MOLEX INCORPORATED			
		2 PLACES ±.13 ±.01		APPROVED BY & DATE		CAD FILENAME 39100-12XX		MATERIAL NO. SEE CHART	
1 PLACE ±.3		ANGULAR: ±2°		SHEET NO. 1 OF 1		THIS DRAWING CONTAINS INFORMATION THAT IS PROPRIETARY TO MOLEX INCORPORATED AND SHOULD NOT BE USED WITHOUT WRITTEN PERMISSION.		SIZE B	