

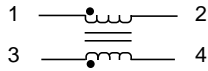


- Noise Suppression Choke
- 3.30 A Max. Rated Current
- 500 Vrms Isolation

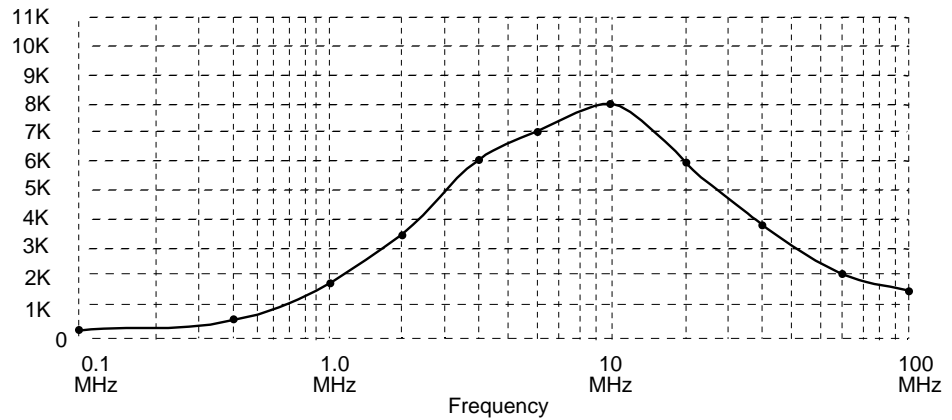
Electrical Parameters @ 25° C

Inductance (mH ± 25%)	DCR (m Max.)	Turns Ratio	SRF (MHz Typ.)
@10 KHz, 0.1 Vrms	Matched with ± 5%		
.225	60	1 : 1	10
Pins 1-2, 3-4	Pins 1-2, 3-4	Pins 1-2 : 3-4	

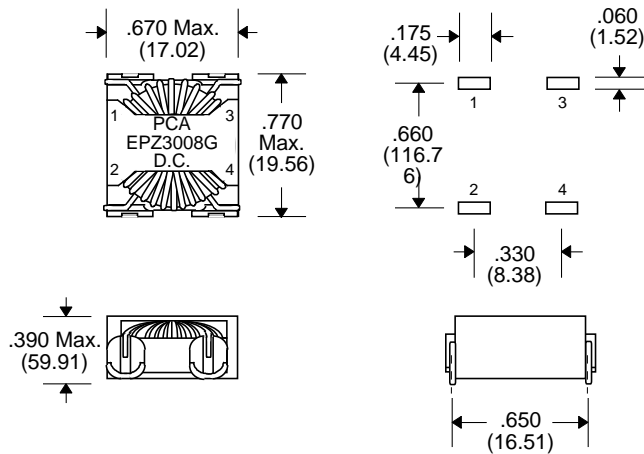
Schematic



Impedance Curve



Package



Unless Otherwise Specified Dimensions are in Inches /mm ± .010 / .25