

ESD / Transient Suppressor

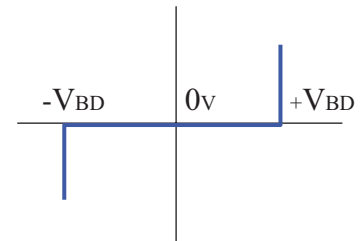
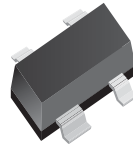
CKL Series -G (RoHS Device)

Features:

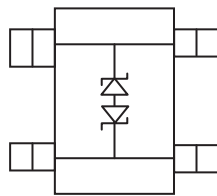
- (16kV) IEC 61000-4-2 rating
- Surface Mount Package
- High Component Density

Applications:

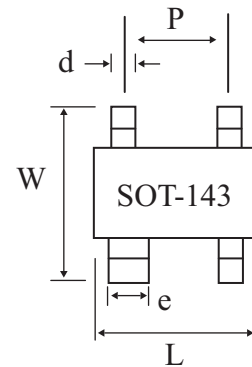
- ESD Suppression
- Transient Suppression
- Automotive CAN bus



Schematics:



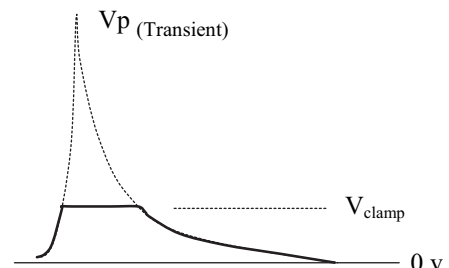
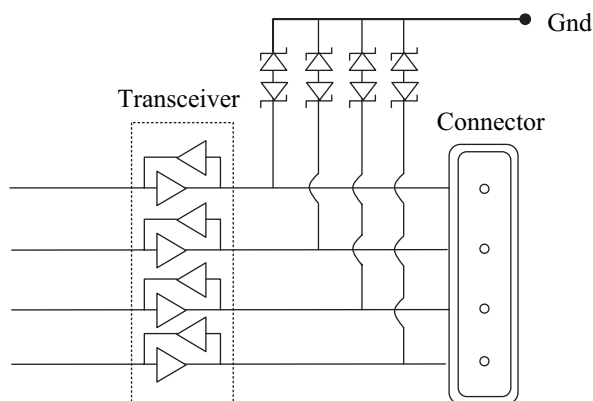
Package:



Dimensions in (mm):

Package	Package Code	Number of Pins	L ± 0.2	W ± 0.2	d ± 0.1	P ± 0.1	Pkg. Height ± 0.2	e ± 0.1
SOT-143	S14	4	2.9	2.3	0.45	1.9	0.95	0.8

Application:



“-G” suffix designates RoHS compliant Version

ESD / Transient Suppressor

COMCHIP
SMD DIODE SPECIALIST



Ratings:

Symbol	Parameter	Value	Units
T _O	Operating temperature	-55 to +150	°C
T _D	Derating Temperature	70	°C

Specifications: (Ta = 25°C)

36V Characteristic

Symbol	Characteristic	Min	Typ	Max	Units	Test Condition
V _{BD}	Diode breakdown voltage	38	40		V	I _F = 1 ma
I _L	Leakage current		0.1	2.0	uA	36v
C _T	Capacitance		5		pF	@ 1Mhz
V _{ESD}	Channel clamp voltage		-	± 40	V	8kV event
V _{PV}	Peak ESD voltage capability			16	kV	IEC 61000-4-2
I _{pp} *	Peak Pulse Current			15	A	8 / 20 us

24V Characteristic (CAN bus)

Symbol	Characteristic	Min	Typ	Max	Units	Test Condition
V _{BD}	Diode breakdown voltage	25	28		V	I _F = 1 ma
I _L	Leakage current		0.1	2.0	uA	24v
C _T	Capacitance		10		pF	@ 1Mhz
V _{ESD}	Channel clamp voltage		-	± 25	V	8kV event
V _{PV}	Peak ESD voltage capability			16	kV	IEC 61000-4-2
I _{pp} *	Peak Pulse Current			15	A	8 / 20 us

12V Characteristic

Symbol	Characteristic	Min	Typ	Max	Units	Test Condition
V _{BD}	Diode breakdown voltage	14	17		V	I _F = 1 ma
I _L	Leakage current		0.1	2.0	uA	12v
C _T	Capacitance		12		pF	@ 1Mhz
V _{ESD}	Channel clamp voltage		-	± 17	V	8kV event
V _{PV}	Peak ESD voltage capability			16	kV	IEC 61000-4-2
I _{pp} *	Peak Pulse Current			15	A	8 / 20 us

5V0 Characteristic

Symbol	Characteristic	Min	Typ	Max	Units	Test Condition
V _{BD}	Diode breakdown voltage	5.1	7.0		V	I _F = 1 ma
I _L	Leakage current		±0.1	± 2.0	uA	5v
C _T	Capacitance		15		pF	@ 1Mhz
V _{ESD}	Channel clamp voltage		-	± 7.0	V	8kV event
V _{PV}	Peak ESD voltage capability			16	kV	IEC 61000-4-2
I _{pp} *	Peak Pulse Current			5.1	A	8 / 20 us

Ordering Information:

CKL	S14	36V	-G
Type	Package Code	Voltage	RoHS Compliant
CKL	from table	5V0 12V 24V 36V	
* 3,000 units per reel			