

\*\*\*\*\*  
**3.3V / 1.3 mm / 155 Mbps InGaAs PIN-TIA Receiver**  
 \*\*\*\*\*

**PT-33130 Series**  
 \*\*\*\*\*

**FEATURES**

- InGaAs/InP PIN Photodiode with AGC transimpedance amplifier
- Differential ended output
- 1.3 μm high sensitivity, 1.55 μm high rejection
- Single +3.3V operation
- Speed Up to 170 Mbps
- - 40~+85 °C operation temperature

**DESCRIPTION**

PT-33130 series are designed as optical signal receivers with AGC transimpedance amplifier. Their wide dynamic ranges, differential outputs are suited for datacom and telecom applications, especially SONET OC-3/SDH STM-1, Fast Ethernet, and Fiber Channel.

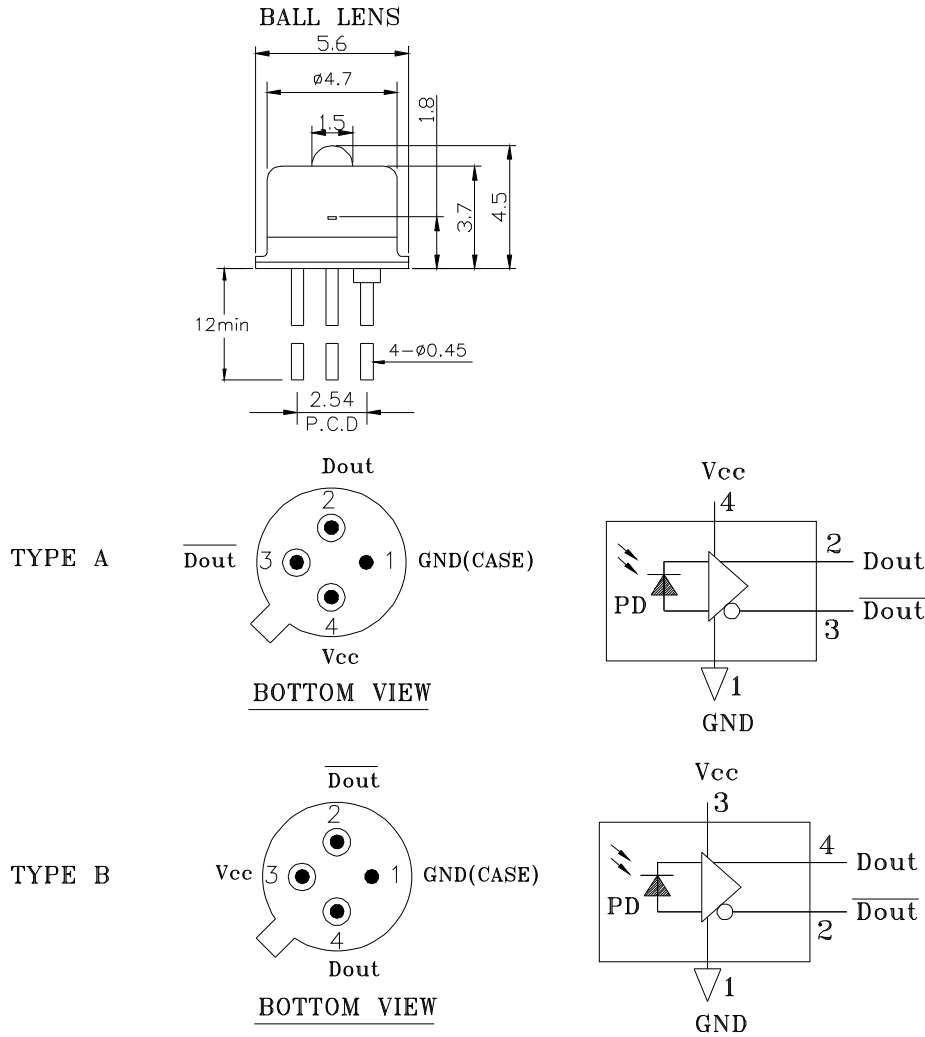
AC / ELECTRICAL AND OPTICAL CHARACTERISTICS (T <sub>C</sub> =25°C)						
Symbol	Parameter	Test Conditions	Min.	Typ.	Max.	Unit
	Detection Range		1260	1310	1360	nm
	Active Area			75		μm
G	<a href="#">Gain@10Mbps</a> Differential	λ =1300nm	50	-	70	V/mW
BW	Bandwidth	P <sub>f</sub> =1 μW	120	140		MHz
Psat	Saturation Power	λ =1300nm	-3	0	-	dBm
Sens	Sensitivity	BER=10 <sup>-10</sup> @155Mbps	-	-	-33	dBm
Rout	Output Resistance		-	50	65	ohm
	Operation Speed			155		Mbps

Note: \*: At least 30 dB isolation for wavelengh 1480 to 1600 nm

DC / ELECTRICAL CHARACTERISTICS (T <sub>C</sub> =25°C)					
Symbol	Parameter	Min.	Typ.	Max.	Unit
V <sub>CC</sub>	Power Supply	3.15	3.3	3.45	V
I <sub>CC</sub>	Supply Current (no load)	-	-	30	mA

ABSOLUTE MAXIMUM RATING (T <sub>C</sub> =25 °C)			
Symbol	Parameter	Value	Unit
V	Voltage	4.5	V
T <sub>opr</sub>	Operating Temperature	-40~+85	°C
T <sub>stg</sub>	Storage Temperature	-40~+85	°C

MECHANICAL DIMENSION (mm) and PIN ASSIGNMENT



**Note:** Specifications subject to change without notice.

ORDER INFORMATION

Part No.: P T - 3 3 1 3 0 □

Code	Wavelength
Blank	1310/1550 nm
3	1310 nm
5	1550 nm

Code	Voltage
0	5V
3	3.3V

Code	PIN Assignment
Blank	Type A
B	Type B