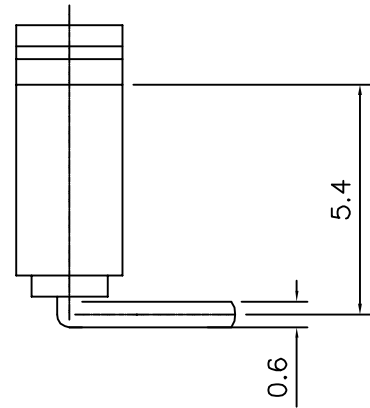
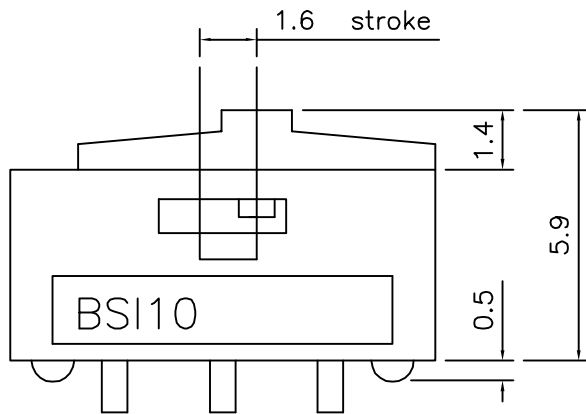
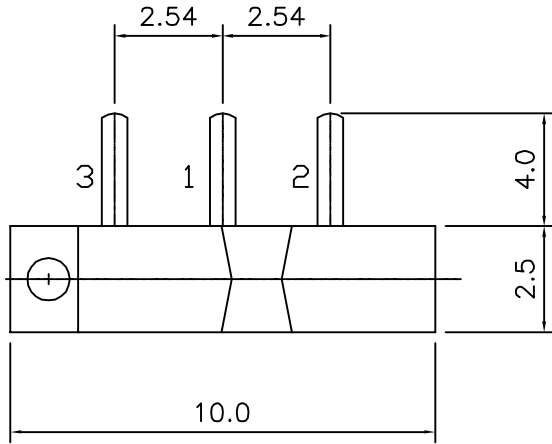
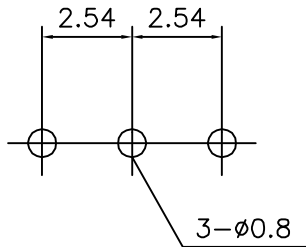




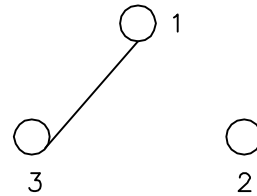
DB LECTRO
COMPOSANTS ÉLECTRONIQUES
ELECTRONIC COMPONENTS



P.C.B DIMENSION



CIRCUIT



PART NO		PART NAME		Q'TY		STANDARD		DISPOSITION	
		TRIGON- OMETRY	UNIT mm	SCALE 3 1		MATERIAL	MAKER	DEAL	REMARKS
		APPD	CHKD	DSGD	MODEL	DIP SWITCH			
		LEE K.I	ROH J.P	SHIN J.S	PART NAME				
DATA		CORREXTION				BSI-10H			

DB LECTRO^U_Z

1. Electrical Characteristics.

- 1-1. Rating : AC, DC 12V 0.5A~24V 0.3A. (Minimum current: 1mA)
- 1-2. Contact Resistance : Max 30mΩ
- 1-3. Insulation Resistance : Min 10,000MΩ, at DC 500V
- 1-4. Withstanding Voltage : 1min at AC 500V

2. Mechanical Characteristics.

- 2-1. Operating Force : Max 800gf
- 2-2. Angle of Lever Throw
- 2-3. Insulator
 - 2-3-1. Case : Glass Fiber Reinforce Polyamide (UL94 V-0)
 - 2-3-2. Slide : Glass Fiber Reinforce Polyamide (UL94 V-0)
- 2-4. Terminal : Nickel(Ni 0.2μ) Gold Plate(Au 0.05μ)

3. Life Test.

- 3-1. Test Condition : Operations at a rate of 15-20Cycle 1minute
 - 3-1-1. with load : 1,000 Cycles
 - 3-1-2. without load : 1,000 Cycles
- 3-2. Operating Force : With +10%, -40% of Initial Value
- 3-3. Contact Resistance : Max 30mΩ

4. Environmental Characteristics.

- 4-1. Operating Temperature : -40℃ to +85℃
- 4-2. Storage Temperature : -40℃ to +85℃
- 4-3. Humidity Test
 - 4-3-1. Test Conditions : Measured 1Hour After Exposure to Ambient
After 96Hour Exposure at 40±2℃, 90-95%R.H
 - 4-3-2. Insulation Resistance : Min 10,00MΩ, at DC 500V
 - 4-3-3. Withstanding Voltage : 1min at AC 500V
- 4-4. Saline Spray Test : 24 hours

5. Solder Conditions.

- 5-1. Within 5 sec. at 270℃

6. RoHS Compliant