

PLEASE CHECK WWW.MOLEX.COM FOR LATEST PART INFORMATION

Part Number: [0495600800](#)
Status: **Active**
Description: 1.27mm (.050") Wire-to-Board Connector Housing, 8 Circuits

Documents:

[Drawing \(PDF\)](#) [RoHS Certificate of Compliance \(PDF\)](#)
[Product Specification PS-49560-001 \(PDF\)](#)

General

Product Family Crimp Housings
 Series [49560](#)
 Product Name N/A

Physical

Breakaway No
 Circuits (maximum) 8
 Color - Resin Black
 Gender Female
 Glow-Wire Compliant No
 Keying to Mating Part None
 Lock to Mating Part Yes
 Material - Resin High Temperature Thermoplastic
 Number of Rows 1
 Packaging Type Bag
 Panel Mount No
 Pitch - Mating Interface (in) 0.050 In
 Pitch - Mating Interface (mm) 1.27 mm
 Pitch - Term. Interface (in) 0.050 In
 Pitch - Term. Interface (mm) 1.27 mm
 Polarized to Mating Part Yes
 Ports 1
 Stackable No
 Temperature Range - Operating -40°C to +130°C

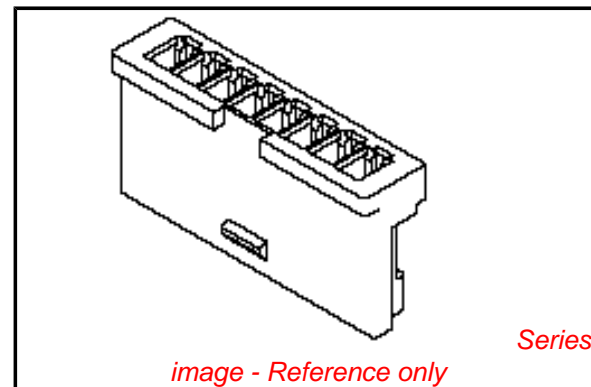
Electrical

Current - Maximum per Contact 2.5A

Material Info

Reference - Drawing Numbers

Product Specification PS-49560-001
 Sales Drawing SD-49560-001



EU RoHS

**ELV and RoHS
 Compliant**
**REACH SVHC
 Contains SVHC: No**
**Halogen-Free
 Status**

China RoHS



**Need more information on product
 environmental compliance?**

Email productcompliance@molex.com
 For a multiple part number RoHS Certificate of
 Compliance, [click here](#)

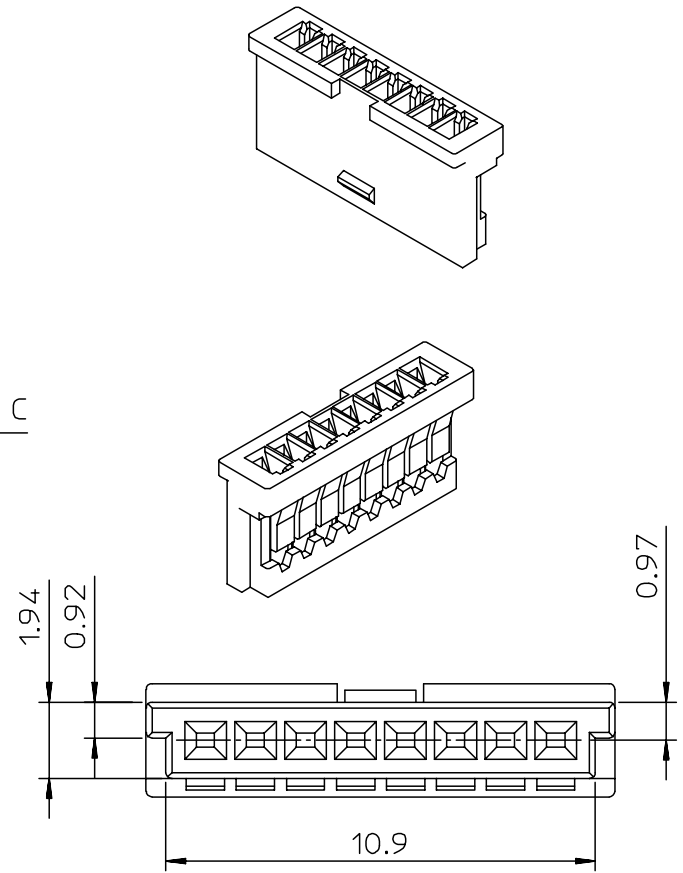
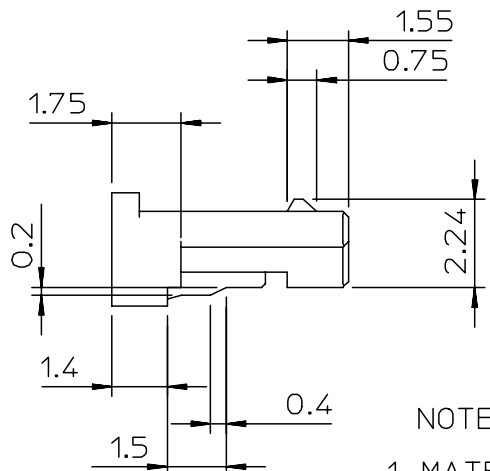
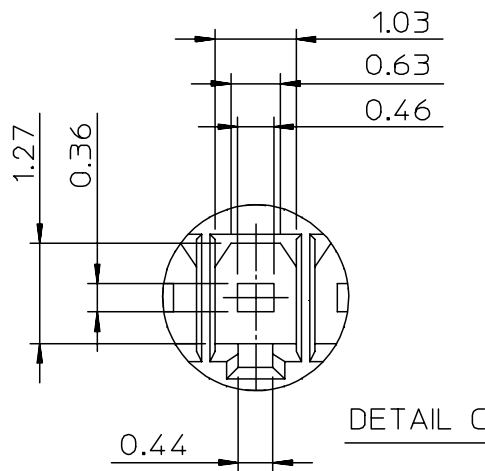
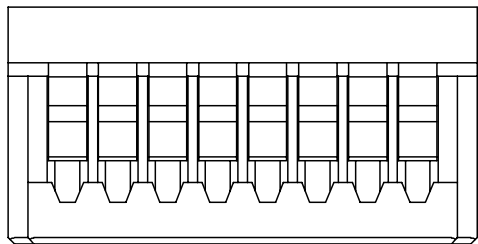
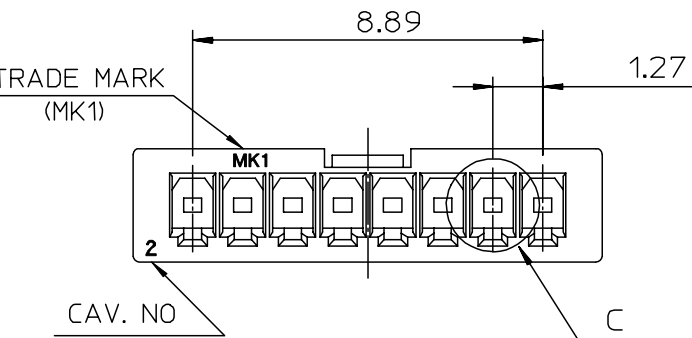
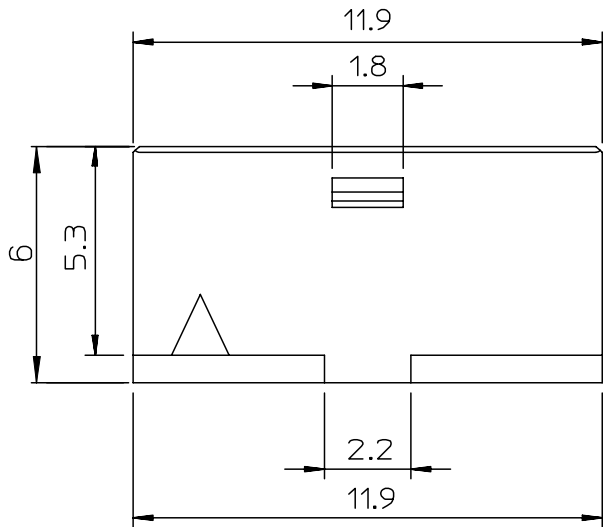
Please visit the [Contact Us](#) section for any
 non-product compliance questions.

Search Parts in this Series

[49560Series](#)

Use With

[49946-8001](#) Terminal



- NOTES
1. MATERIALS : LCP, UL94V-0, BLACK COLOR
 2. APPLICABLE TERMINAL : 49946-8001

EC NO: K06R2008-0024 DRWN: CBCHIN 2007/08/09 CHKD: WYANG 2007/08/09 APPR: YUNSIKKIM 2007/08/13	QUALITY SYMBOLS ▽ = 0 ◻ = 0	GENERAL TOLERANCES (UNLESS SPECIFIED)		DIMENSION STYLE mm ONLY		SCALE ---	DESIGN UNITS mm ONLY	THIRD ANGLE PROJECTION	
		4 PLACES ± --- ± --- 3 PLACES ± --- ± --- 2 PLACES ± 0.15 ± --- 1 PLACE ± 0.15 ± --- ANGULAR ± 11°	mm INCH	DRAWN BY WY.YANG	DATE 07/01/22	TITLE 1.27 WTB CONN HOUSING-8P		MOLEX INCORPORATED	
CBCHIN K06R2008-0024	DESCRIPTION 1.27 WTB CONN HOUSING-8P	DRAFT WHERE APPLICABLE MUST REMAIN WITHIN DIMENSIONS		MATERIAL NO. SD-49560-001	APPROVED BY WY.YANG	DATE 07/01/22	DOCUMENT NO. SD-49560-001	SHEET NO. 1 OF 1	
THIS DRAWING CONTAINS INFORMATION THAT IS PROPRIETARY TO MOLEX INCORPORATED AND SHOULD NOT BE USED WITHOUT WRITTEN PERMISSION									