

eZtrend V5 Electronic Data Recorder

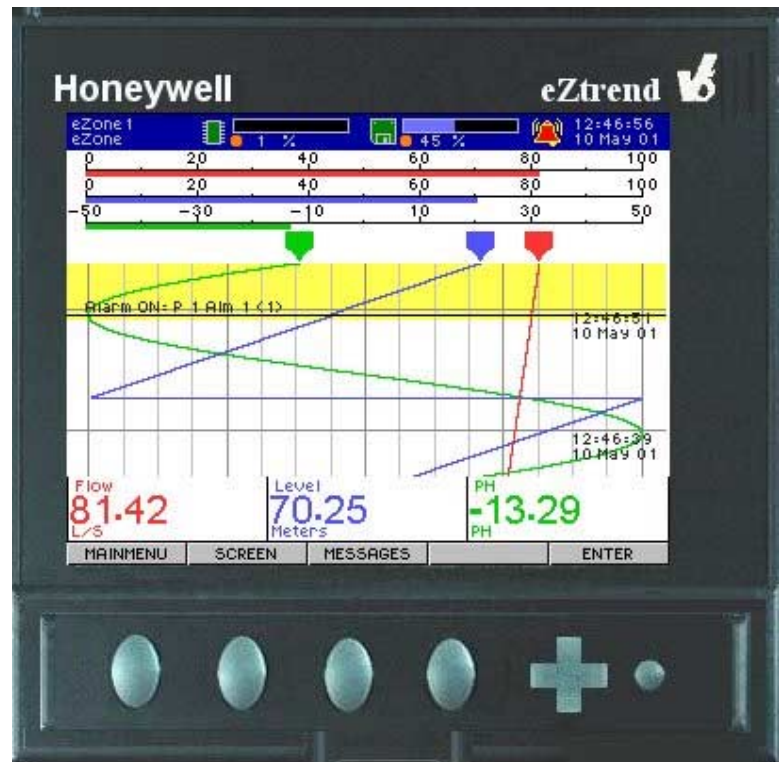
10/01
Page 1 of 8
43-TV-03-08

Specification

Function

Honeywell's eZtrend recorder provides cost effective electronic data recording in a compact DIN size recorder. The recorder accepts up to 6 universal analog inputs and stores data on an integral, removable storage media. The data is displayed on a five inch color LCD with wide viewing angles. The operator interface provides easy access to the recorder menus for quick set up and replaying of the data. Data is stored under pen configurations, in secure files and since the data is directly related to a pen there is no need to remember file names and files structures. An Ethernet connection is provided standard to allow direct connection of the recorder to a LAN or the Internet.

The TrendManager Software Suite ties your process together. Access the recorders through the plant wide LAN or Internet. Trend Manager provides the tools for real-time communications, data analysis, and configuration, for the entire family of electronic data recorders including the eZtrend recorder.



Features

- **Five Inch Color Display** — makes it easy to interpret process data and take action with the easy to understand bar charts, digital values and trends.
- **Ethernet Connectivity** — provides unlimited connectivity to local area networks (LANs) or the internet.
- **Paperless Chart Recording** — eliminates the need for paper and pens with their associated cost and mess.
- **Total Data Integrity** — data is stored in secure files based on pen designations making it easy to retrieve the data based on process information rather than having to remember file names.
- **Up to 6 Analog Inputs** — up to six universal analog inputs that can monitor process variables from a variety of sensors.
- **Data Storage** — data is stored on a standard 1.44MB floppy.
- **DIN Standard Mounting** — fits standard DIN cutout and allows for easy replacement of existing 100mm paper chart recorders.
- **CE Mark** — Conformity with 73/23/EEC, Low Voltage Directive

Features, continued

- **Independent Display Chart Speeds and Logging rates** — logging rates can be programmed completely separate from the chart display speed, allowing the data to be displayed and stored at the rates that are best suits the application.
- **Universal Power** — no concern with plugging the recorder into the wrong voltage - the instrument is designed to work between 90 and 250 Vac.
- **Real Time Clock** — provides accurate time stamping of logged data and events and is battery backed up to prevent a loss of the clock time/date
- **Large Memory Buffer** — 2Mbyte battery backed buffer insures that data is not lost during routine operation
- **Password Protection** — multiple levels of password protection provided to insure compliance with 21CFR Part 11. Up to 4 levels of password protection with up to ten different passwords are available for use. The password can prevent unauthorized entry to the entire recorder configuration or just portions of the recorder configuration or

Features, continued

- **Fuzzy Logging** — This standard feature provides a unique method to increase the storage capacity of the recorder. The data is monitored to determine changes in process data, if no changes are observed data is logged periodically. If data is changing rapidly it is recorder normally at the programmed rate. By not logging data that is static, data compression of up to 100:1 or more can be observed saving valuable disk space. The amount of disk space left is easily observed and can be set up as an alarm limit to insure that data is not lost.
- **Alarms** — up to thirty-two integral "soft" alarms are easily set by users to announce selected, out-of-limit conditions.

and 89/336/EEC EMC Directive.

Options

- **Alarm Output** — up to six integral SPDT relays are available to activate user's external equipment.
- **Math** — A full function math capability is provided. This feature handles up to a 200-character math expression. Math also includes 6 extra virtual pens.
- **Digital Input** — the six-relay option also includes two digital inputs. The digital inputs allow users to initiate from a remote location through the two dry contact closures, selected recorder functions, such as start/stop/reset totalization, mark the chart.
- **Event Markers** — provides an easy method for a user to mark an event or message on the electronic recorder. These messages are time stamped and can be up to 44 characters long. Additionally, certain recorder actions such as start/stop recording, digital inputs actions, user key presses, etc. can also be logged.
- **Customer ID Tagging**

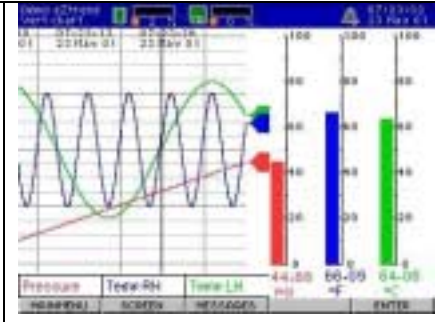
Trend Manager Suite

- **TrendViewer** — Standard software package for viewing, graphing, and printing stored data.
- **TrendManager Pro** — this is an advanced data analysis/archiving software package. It provides full configuration of the recorders along with e-mail set up. TrendManager Pro also allows files to be exported using comma separated variables (CSV) format.
- **TrendServer Pro** — is a fully network aware software package for communicating with the recorders. It supports all the capabilities of Trend Manager Pro plus FTP (file transfer protocol) and Web browser access. TrendServer Pro provides multi-level, multi-user access to the recorder data by various departments with security.

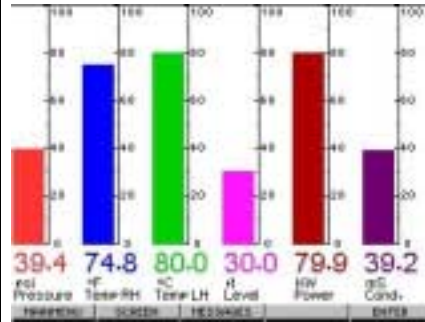
operation.



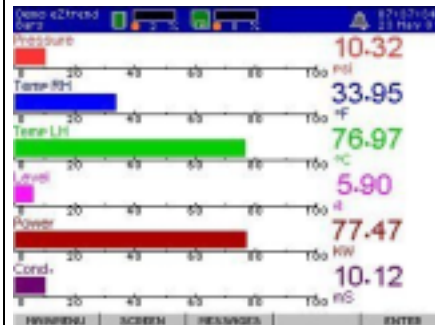
3 Vertical Trends w/Horizontal Bars



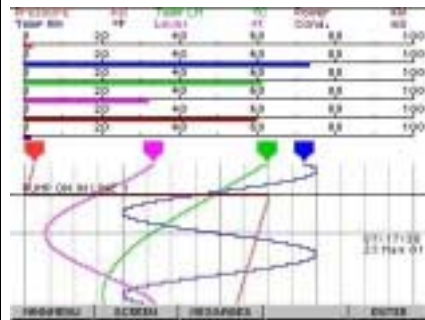
3 Horizontal Trends w/ Vertical Bars



6 Vertical Bars



6 Horizontal Bars



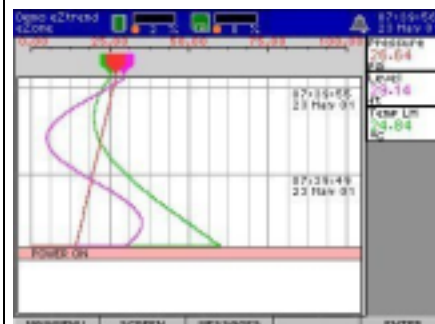
4 Vertical Trends w/ Horizontal Bars



3 Horizontal Trends



Panel Meter



3 Vertical Trends

Specifications

Design Attributes																																									
Digital Indication & Display	<i>Display Type:</i> Color STN QVGA Display <i>Screen Size:</i> 5" diagonal <i>Resolution:</i> 320 x 240 pixels <i>Display update rate:</i> Values updated every 250 ms																																								
Analog Trace Colors	Pen 1 - Dark Red, Pen 2 - Blue, Pen 3 - Green, Pen 4 - Magenta, Pen 5 - Cyan, Pen 6 - Bright Red																																								
Data Storage	<i>Media:</i> 3.5" 1.44MB floppy (Standard) <i>Internal Data Buffer:</i> 2 Mbytes <i>Setup:</i> Stored in EEPROM																																								
Data Storage Capacity	<table border="1"> <thead> <tr> <th># of Pens</th> <th colspan="7">Estimated Disk Capacity (1.44MB Floppy)</th> </tr> </thead> <tbody> <tr> <td>2</td> <td>4D, 2Hr</td> <td>40D, 17Hr</td> <td>122D</td> <td>244D</td> <td>3.3 Years</td> <td colspan="2">6.6 Years</td> </tr> <tr> <td>4</td> <td>2D, 1Hr</td> <td>20D, 8Hr</td> <td>61D</td> <td>122D</td> <td>1.67 Years</td> <td colspan="2">3.3 Years</td> </tr> <tr> <td>6</td> <td>1D, 8Hr</td> <td>13D, 8Hr</td> <td>40.5D</td> <td>81D</td> <td>1.1 Years</td> <td colspan="2">2.2 Years</td> </tr> <tr> <td>Rate</td> <td>1 Sec</td> <td>10 Sec</td> <td>30 Sec</td> <td>60 Sec</td> <td>5 Min</td> <td colspan="2">10 Min</td> </tr> </tbody> </table>	# of Pens	Estimated Disk Capacity (1.44MB Floppy)							2	4D, 2Hr	40D, 17Hr	122D	244D	3.3 Years	6.6 Years		4	2D, 1Hr	20D, 8Hr	61D	122D	1.67 Years	3.3 Years		6	1D, 8Hr	13D, 8Hr	40.5D	81D	1.1 Years	2.2 Years		Rate	1 Sec	10 Sec	30 Sec	60 Sec	5 Min	10 Min	
# of Pens	Estimated Disk Capacity (1.44MB Floppy)																																								
2	4D, 2Hr	40D, 17Hr	122D	244D	3.3 Years	6.6 Years																																			
4	2D, 1Hr	20D, 8Hr	61D	122D	1.67 Years	3.3 Years																																			
6	1D, 8Hr	13D, 8Hr	40.5D	81D	1.1 Years	2.2 Years																																			
Rate	1 Sec	10 Sec	30 Sec	60 Sec	5 Min	10 Min																																			
Display Chart Speeds	mm/hour: 1, 5, 20, 30, 60, 120, 600, 1200 (2.7 days to 3.25 minutes)																																								
Communications	Ethernet 10 Base-T connector (Standard) supports FTP Protocol, Trendbus (Real Time), Web.																																								
Clock	Calendar function, daylight savings time adjustable manually or with comms Time can be adjusted and synchronized using Ethernet scheduler Tolerance: 20ppm to resolution of 1 second Battery backed up, Lithium battery - 10 years life (powered)																																								
Alarm Set Points	Up to 32 integral "soft" alarm set points easily set by user to announce selected out of limit conditions.																																								
Languages	English, French, German, Italian, Spanish																																								
CE Conformity	This product is in conformity with the protection requirements of the following European Council Directives: 73/23/EEC , the Low Voltage Directive, and 89/336/EEC , the EMC Directive. Conformity of this product with any other "CE Mark" Directive(s) shall not be assumed.																																								
<i>Product Classification</i>	Class I: Cord Connected, Panel Mounted Industrial Control Equipment with protective earthing (grounding). (EN 61010-1)																																								
<i>Enclosure Rating</i>	Front panel IP 65 (IEC 529)																																								
<i>Installation Category (Over-voltage Category)</i>	Category II: (EN 61010-1)																																								
<i>Pollution Degree</i>	Pollution Degree 2: (Ref. IEC 664-1)																																								
<i>EMC Classification</i>	Group 1, Class A, ISM Equipment (EN 55011, emissions), Industrial Equipment (EN 61326, immunity)																																								
<i>Safety</i>	Complies with EN61010-1. Panel Mounted Equipment, Terminals must be enclosed within the panel.																																								
Analog Inputs																																									
Number of Inputs	2, 4 or 6 Universal inputs																																								
Input Types	EMF (mv, V, mA), Thermocouple, RTD																																								
Minimum Input Span	Range is fully configurable with span limitation of the operating range selected																																								
Input Resolution	16 bits (0.015%)																																								
Input Impedance	<i>Current loop resistance dc:</i> 10 ohms ± 5% <i>All others:</i> 1 Meg Ohm																																								
Source Impedance	<i>RTD:</i> 40 ohms per lead maximum																																								
Input Sampling Rate	100msec for all inputs																																								
Input Sampling Method	<i>Method:</i> Sample, Average, Min-Max																																								
Input Filter	Single Low pass filter software adjustable 1 to 15 seconds																																								
Linear Input Scaling	-999999 to 999999, scale factor of 1 to 9999 Decimal Point automatic or programmable Engineering units, user definable (5 characters)																																								
Input Isolation	<i>Common Mode:</i> 250 Volts AC <i>Normal Mode:</i> 250 Volts AC																																								
Insulation Resistance	>9.9MΩ Each terminal to ground terminal																																								
Logging																																									
Logging Method	<i>Method:</i> Sample, Average, Min-Max																																								
Logging Types	Continuous, Events, Fuzzy																																								
Logging Rates	100mSec to 4 days per log																																								
Fuzzy Logging	A secure data storage technique which typically delivers data compression ratio of 100:1. or more; self teaching, storing the data at a variable rate to match the process																																								

Performance

Input Actuation (Linear)	Range		Accuracy			Temp. Stability
Millivolts dc	-100 to 100		±0.04%			±0.01%/°C
Volts dc	-200 to 200		±0.04%			±0.01%/°C
	-1.0 to 1.0		±0.04%			±0.01%/°C
	-10 to 10		±0.04%			±0.01%/°C
Note for 4-20mA inputs: signal needs to be converted to millivolt or voltage signal and input actuation set to this. (That is, 10 ohm resistor and use ±200 mv input actuation or 250 ohm and use ±10 volt actuation.)						
Input Actuation (Thermocouples)	Range		Accuracy			Temp. Stability ± Degrees Error Per 1 Degree ΔT
	°F	°C	± °F	± °C	±% Span	
B	32 to 3182	0 to 1820				
	32 to 1112	0 to 600	18	10	0.7%	0.15%/°C
	1182 to 3182	600 to 1750	7.2	4	0.3%	0.13%/°C
C(W5)	32 to 4172	0 to 2300				
	32 to 4172	0 to 2300	9	5.5	0.3%	0.06%/°C
E	32 to 1472	-200 to 1000	3.6	2	0.3%	0.06%/°C
J	-328 to 2174	-200 to 1190				
	-328 to 32	-200 to 0	5.4	3	0.25%	0.03%/°C
	32 to 2174	0 to 1190	2.7	1.5	0.15%	0.03%/°C
K	-328 to 2192	-200 to 1350				
	-328 to 32		5.4	3	0.2%	0.03%/°C
	32 to 1832	-200 to 0	3.6	2	0.15%	0.03%/°C
	1832 to 2462	0 to 1000	4.5	2.5	0.15%	0.03%/°C
L	-328 to 1652	-200 to 900				
	-328 to 212	-200 to 100	5	2.75	0.3%	0.03%/°C
	212 to 1652	100 to 900	2.7	1.5	0.3%	0.03%/°C
N (Nicrosil Nisil)	-328 to 2372	-200 to 1300				
	-328 to 32	-200 to 0	5.4	3	0.2%	0.05%/°C
	32 to 2732	0 to 1300	5	2.75	0.2%	0.04%/°C
R	32 to 3092	0 to 1750				
	32 to 572	0 to 300	7.2	4	0.3%	0.1%/°C
	572 to 3092	300 to 1750	5.4	3	0.2%	0.1%/°C
S	32 to 3092	0 to 1750				
	32 to 572	0 to 300	7.2	4	0.3%	0.1%/°C
	572 to 3092	300 to 1750	5.4	3	0.2%	0.1%/°C
T	-328 to 752	-200 to 400				
	-328 to 32	-200 to 0	3.6	2	0.35%	0.08%/°C
	32 to 752	0 to 400	1.8	1	0.2%	0.08%/°C
W	1832 to 4172	1000 to 2300				
	1832 to 3272	1000 to 1800	5.4	3	0.3%	0.15%/°C
	3272 to 4172	1800 to 2300	5.4	3	0.3%	0.15%/°C
Chromel/Copel	-74 to 1110	-50 to 600				
	-74 to 1110	-50 to 600	1.8	1	0.3%	0.05%/°C
Input Actuation (RTD's)	°F	°C	± °F	± °C	±% Span	
PT100 100 ohms (To BS1904)	-328 to 752	-200 to 650	2.7	1.5	0.2%	0.05%/°C
PT200 200 ohms	-328 to 752	-200 to 180	2.7	1.5	0.4%	0.05%/°C
CU53	32 to 300	0 to 150	2.7	1.5	0.9%	0.05%/°C
Ni120	-112 to 464	-80 to 240	2.7	1.5	0.5%	0.05%/°C

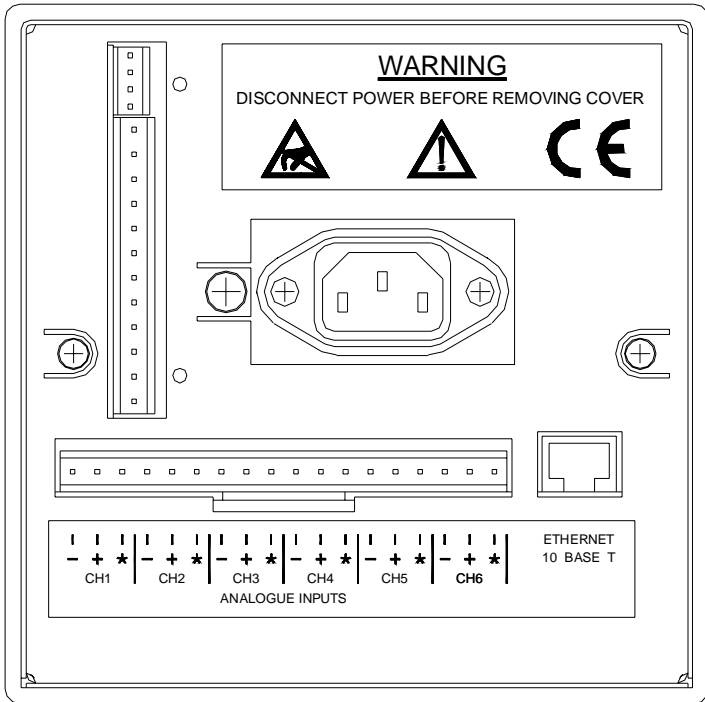
Reference Temperature: 20°C
Reference Humidity: 65% RH ±15%
Reference junction Accuracy: ±1.0 degrees Centigrade.

Reference sample rate: 2 Hz (500 msec)
CJC Temperature Effect: ±0.05°C/°C
Long term stability: 0.2%/year

Specifications, continued

Physical Parameters				
Enclosure	Galvanized steel with high impact resistant polycarbonate plastic bezel and scratch resistant lens. With proper panel mounting and required gasketing the eZtrend is designed to be splashproof.			
Mounting (Panel)	Mounting adjustable for panel thickness of 2 to 20mm Adapter kits available for covering existing panel cutouts.			
Dimensions	See Figure 3			
Weight	2.5Kg			
Color	<i>Bezel:</i> Black			
Wiring Connections	IEC Power Plug. Removable terminal strip for input and alarm connections			
Options				
Alarm Output	Four or six relays. Six Relay Option includes two digital inputs <i>Relay Contact Ratings:</i> 3 Amp 120VAC with Resistive Load, SPDT			
Digital Input	Two voltage free contacts available as part of the Six Relay Option			
Totalizers	Available as part of Math Option. One totalizer per input. Totalizer value is assigned to a pen for data storage. Totalization values are ten digits plus exponent			
Math Algorithms	Free form math, supports 200 character expression. Supports common operators +, -, *, /, Totals, Modulus, Over, Under, , Out, CJC, Memory Use, Disk Use, PC Card Use, Pens, Outputs, Absolute Value, Hi, Lo, Idle. Math includes 6 extra virtual pens			
Event Markers	Event Messages can be up to 44 Characters, <i>Event Causes:</i> Into Alarm, Out of Alarm, Disk % Full, Totalizer Start/Stop/Reset, Dig. In High, Dig. In Low, Relay High, Relay Low, T/C Open Circuit <i>Event Effects:</i> Mark Chart, Logging, Start/Stop Totalizer, Set/Clear Relay, e-Mail			
Miscellaneous	Customer ID Tagging (3 lines of up to 22 characters each line)			
Environmental and Operating Conditions				
Parameter	Reference	Rated	Extreme	Transport and storage
Ambient Temperature	67 to 77 °F 19 to 25 °C	58 to 104 °F 15 to 40 °C	32 to 122 °F 0 to 50 °C (without Floppy)	-14 to 140 °F -10 to 60 °C
Relative Humidity (%RH)	50 to 65*	10 to 90*	5 to 90*	5 to 95*
Vibration				
Frequency (Hz)	0	0 to 70	0 to 100	0 to 100
Acceleration (g)	0	0.1	0.2	0.5
Mechanical Shock				
Acceleration (g)	0	1	5	20
Duration (ms)	0	30	30	30
Mounting Position from Vertical				
Tilted Forward	5°	20°	25°	Any
Tilted Backward	5°	20°	25°	Any
Tilted to Side (±)	5°	20°	25°	Any
Power Requirements				
Voltage (VRMS)	119 to 121	90 to 250	90 to 250	N/A
Frequency (Hz)	49.8 to 60.2	47 to 440	47 to 440	N/A
Power Consumption	20 VA maximum			

* The maximum rating only applies up to 104°F (40°C). For higher temperatures, the RH specification is derated to maintain constant moisture content.



Recorder Wiring
 Accepts T/C, mV, V, mA, RTD
 IEC Power Plug for AC Power
 Accepts up to 6 Alarm Outputs/2 Digital

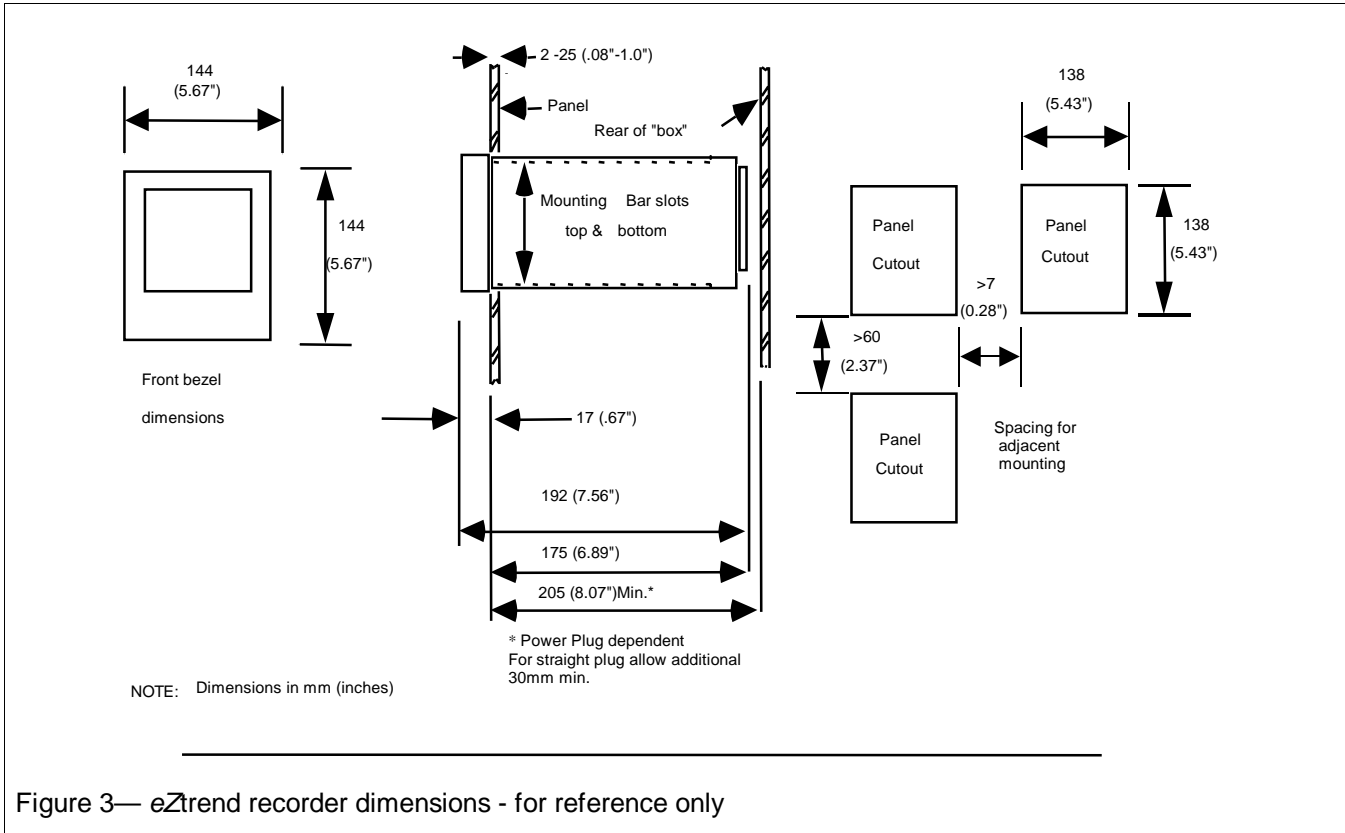
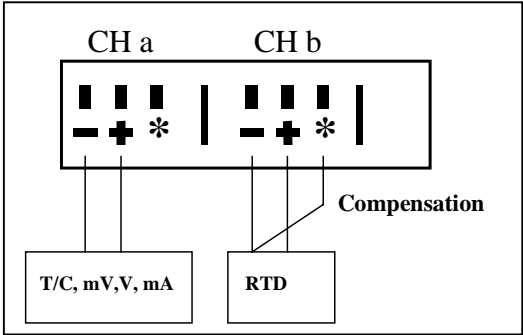
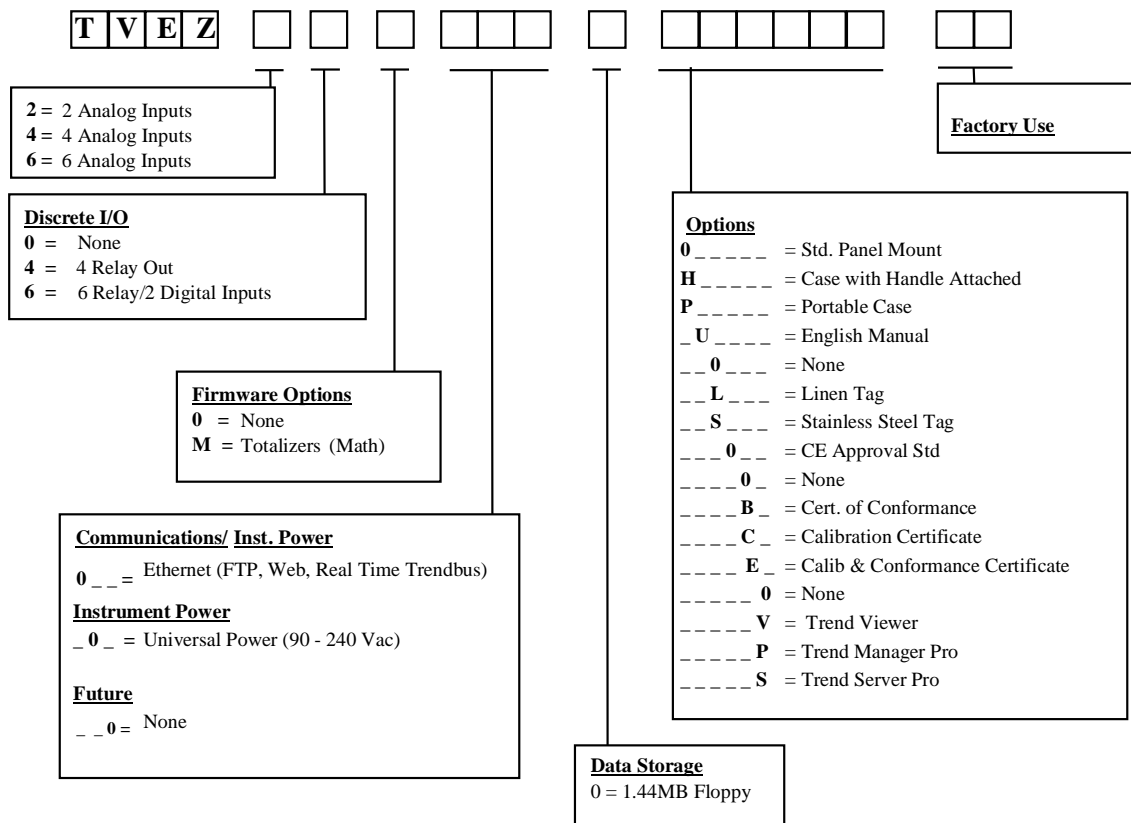


Figure 3— eZtrend recorder dimensions - for reference only

Ordering Information

For complete ordering information, request Model Selection Guide 43-TV-16-08
Honeywell offers a full line of sensors and transmitters that produce a compatible range of dc voltage or current signals which can be used as inputs to the eZtrend Recorder.



WARRANTY/REMEDY

Honeywell warrants goods of its manufacture as being free of defective materials and faulty workmanship. Contact your local sales office for warranty information. If warranted goods are returned to Honeywell during the period of coverage, Honeywell will repair or replace without charge those items it finds defective. The foregoing is Buyer's sole remedy and is **in lieu of all other warranties, expressed or implied, including those of merchantability and fitness for a particular purpose.** Specifications may change without notice. The information we supply is believed to be accurate and reliable as of this printing. However, we assume no responsibility for its use.

While we provide application assistance personally, through our literature and the Honeywell web site, it is up to the customer to determine the suitability of the product in the application.

ARGENTINA

HONEYWELL S.A.I.C.
BELGRANO 1156
BUENOS AIRES
ARGENTINA
Tel. : 54 1 383 9290

ASIA PACIFIC

HONEYWELL ASIA
PACIFIC Inc.
Room 3213-3225
Sun Kung Kai Centre
N° 30 Harbour Road
WANCHAI
HONG KONG
Tel. : 852 829 82 98

AUSTRALIA

HONEYWELL LIMITED
5 Thomas Holt Drive
North Ryde Sydney
NSW AUSTRALIA 2113
Tel. : 61 2 353 7000

AUSTRIA

HONEYWELL AUSTRIA
G.m.b.H.
Handelskai 388
A1020 VIENNA
AUSTRIA
Tel. : 43 1 727 800

BELGIUM

HONEYWELL S.A.
3 Avenue de Bourget
B-1140 BRUSSELS
BELGIUM
Tel. : 32 2 728 27 11

BRAZIL

HONEYWELL DO BRA-
ZIL AND CIA
Rua Jose Alves Da
Chunha
Lima 172
BUTANTA
05360.050 SAO PAULO
SP
BRAZIL
Tel. : 55 11 819 3755

BULGARIA

HONEYWELL EOOD
14, Iskarsko Chaussée
POB 79
BG- 1592 Sofia
BULGARIA
Tel. : 359-791512/ 794027/
792198

CANADA

HONEYWELL
The Honeywell Centre
155 Gordon Baker Road
Toronto, Ontario M2H 3N7
Tel. : 416-502-4666

CZECH

REPUBLIC
HONEYWELL, Spol.s.r.o.
Budejovicka 1
140 21 Prague 4
Czech Republic
Tel. : 42 2 6112 3434

DENMARK

HONEYWELL A/S
Automatikvej 1
DK 2860 Soeborg
DENMARK
Tel. : 45 39 55 56 58

FINLAND

HONEYWELL OY
Ruukintie 8
FIN-02320 ESPOO 32
FINLAND
Tel. : 358 0 3480101

FRANCE

HONEYWELL S.A.
Bâtiment « le Mercury »
Parc Technologique de St
Aubin
Route de l'Orme
(CD 128)
91190 SAINT-AUBIN
FRANCE
Tel. from France:
01 60 19 80 00
From other countries:
33 1 60 19 80 00

GERMANY

HONEYWELL AG
Kaiserleistrasse 39
D-63067 OFFENBACH
GERMANY
Tel. : 49 69 80 64299

HUNGARY

HONEYWELL Kft
Gogol u 13
H-1133 BUDAPEST
HUNGARY
Tel. : 36 1 451 43 00

ICELAND

HONEYWELL
Hataekni .hf
Armuli 26
PO Box 8336
128 reykjavik
Iceland

ITALY

HONEYWELL S.p.A.
Via P. Gobetti, 2/b
20063 Cernusco Sul
Naviglio
ITALY
Tel. : 39 02 92146 1

MEXICO

HONEYWELL S.A. DE
CV
AV. CONSTITUYENTES
900
COL. LOMAS ALTAS
11950 MEXICO CITY
MEXICO
Tel : 52 5 259 1966

THE

NETHERLANDS
HONEYWELL BV
Laaderhoogweg 18
1101 EA AMSTERDAM
ZO
THE NETHERLANDS
Tel : 31 20 56 56 911

NORWAY

HONEYWELL A/S
Askerveien 61
PO Box 263
N-1371 ASKER
NORWAY
Tel. : 47 66 76 20 00

POLAND

HONEYWELL Sp.z.o.o
UI Domainewksa 41
02-672 WARSAW
POLAND
Tel. : 48 22 606 09 00

PORTUGAL

HONEYWELL
PORTUGAL LDA
Edificio Suecia II
Av. do Forte nr 3 - Piso 3
2795 CARNAXIDE
PORTUGAL
Tel. : 351 1 424 50 00

REPUBLIC OF

IRELAND
HONEYWELL
Unit 1
Robinhood Business Park
Robinhood Road
DUBLIN 22
Republic of Ireland
Tel. : 353 1 4565944

REPUBLIC OF

SINGAPORE
HONEYWELL PTE LTD
BLOCK 750E CHAI CHEE
ROAD
06-01 CHAI CHEE IND.
PARK
1646 SINGAPORE
REP. OF SINGAPORE
Tel. : 65 2490 100

REPUBLIC OF SOUTH

AFRICA
HONEYWELL
Southern Africa
PO BOX 138
Milnerton 7435
REPUBLIC OF SOUTH
AFRICA
Tel. : 27 11 805 12 01

ROMANIA

HONEYWELL Office
Bucharest
147 Aurel Vlaicu Str.,
Sc.Z.,
Apt 61/62
R-72921 Bucharest
ROMANIA
Tel40-1 211 00 76/
211 79

RUSSIA

HONEYWELL INC
4 th Floor Administrative
Building of AO "Luzhniki"
Management
24 Luzhniki
119048 Moscow
RUSSIA
Tel : 7 095 796 98 00/01

SLOVAKIA

HONEYWELL Ltd
Mlynske nivý 73
PO Box 75
820 07 BRATISLAVA 27
SLOVAKIA
Tel. : 421 7 52 47 400/
425

SPAIN

HONEYWELL S.A
Factory
Josefa Valcarcel, 24
28027 MADRID
SPAIN
Tel. : 34 91 31 3 61 00

SWEDEN

HONEYWELL A.B.
S-127 86 Skarholmen
STOCKHOLM
SWEDEN
Tel. : 46 8 775 55 00

SWITZERLAND

HONEYWELL A.G.
Hertistrasse 2
8304 WALLISELLEN
SWITZERLAND
Tel. : 41 1 831 02 71

TURKEY

HONEYWELL
Otomasyon ve Kontrol
Sistemlen San ve Tic A.S.
(Honeywell Turkey A.S.)
Emirhan Cad No 144
Barbaros Plaza C. Blok
Kat 18
Dikilitas 80700 Istanbul
TURKEY
Tel : 90-212 258 18 30

UNITED

KINGDOM
HONEYWELL
Unit 1,2 &4 Zodiac House
Calleva Park
Aldermaston
Berkshire RG7 8HW
UNITED KINGDOM
Tel : 44 118 906 2600

U.S.A.

HONEYWELL INC.
1100 VIRGINIA DRIVE
FT. WASHINGTON
PA 19034-3260
U.S.A.
Tel. : 1-800-343-0228

VENEZUELA

HONEYWELL CA
APARTADO 61314
1060 CARACAS
VENEZUELA
Tel. : 58 2 239 0211

Honeywell

Sensing and Control
Honeywell
11 West Spring Street
Freeport, IL 61032