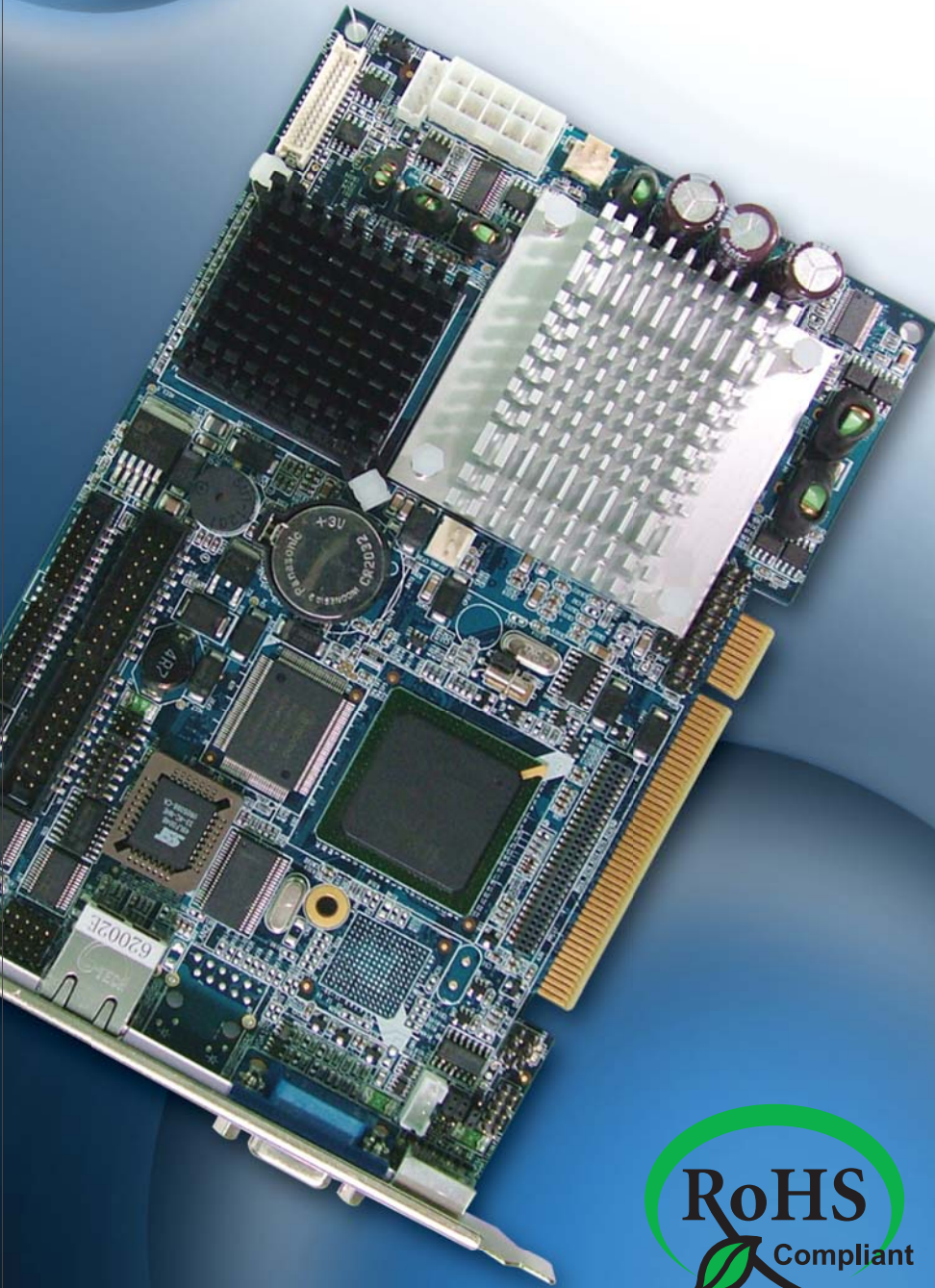


SBC



PCI-471LF

PCI ULV Celeron® M CPU Card w / VGA / LAN

PCI-471LF the PCI-471LF is a PCI bus half-size board, supports ULV Intel® Celeron® M 600MHz processor without L2 cache, and one 200-pin DDR266 SO-DIMM memory up to 1 GB. Integrated with Intel 852GM+ICH4 chipset, The PCI-471LF also equipped with a Compact Flash™ bootable IDE-compatible flash memory module for expansion capabilities. Onboard with Intel® 82562EM chipset, it provides 10/100Mbps high bandwidth Ethernet. The PCI-471LF supports 2 USB2.0 ports that accelerate the speed of data transaction. Other standard features of PCI-471LF include, 1 FDD, 2 COM ports (COM2 is selectable for RS232/422/485), 1 IDE interface, 1 parallel port, keyboard/mouse connector, 1 IrDA port, and 1 EPCI connector for expansion slot.



No. 24, Lane 365, Yang Guang St., Nei Hu District, Taipei 114, Taiwan, R.O.C.

Tel: +886-2-8751-1111

Fax: +886-2-8751-1199

Email: sales@protech.com.tw

<http://www.protech.com.tw>

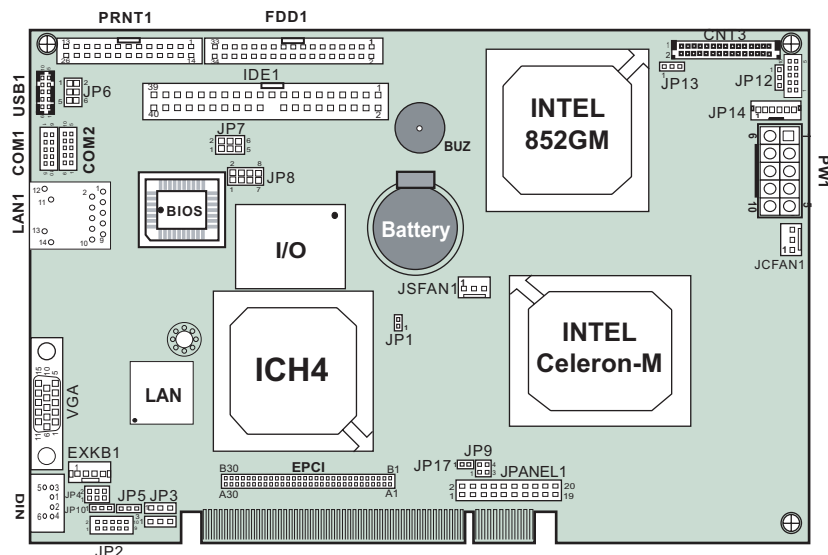


ISO CERTIFIED

9001 14001

PCI-471LF

PCI ULV Celeron® M CPU Card w / VGA / LAN



Specifications

System

CPU Type	Intel® Celeron® M processor
CPU Frequency	ULV 600MHz / ULV 1GHz (non L2 cache)
Chipset	Intel® 852GM + ICH4 (FSB:400MHz)
DRAM	1 x 200-pin DDR SO-DIMM, Support DDR266 SDRAM up to 1GB
BIOS	Phoenix-Award PnP BIOS, with VGA BIOS
Watchdog	1~255 secs Watchdog timer selectable w / Reset / NMI
Power Supply	Support AT / ATX power
Power Requirement	+5V, +12V
Power Consumption	+5V: 2.35A / +12V: 0.43A (Celeron® M ULV 600MHz)
Dimension	185mm x 122mm (7.28" x 4.8")

I/O Chipset

IDE Interface	1 x 40-pin IDE (UDMA 33/66/100)
CF	1 x compact flash slot (IDE)
FDD Interface	1
Bus Interface	EPCI BUS
Serial Port	2 x COM ports, COM1 for RS232, COM2 for RS232/422/485 (for 16550 compatible type of UART)
Parallel Port	1 x parallel (SPP / EPP / ECP)

IrDA	1 (SIR)
Keyboard	Mini DIN connector or external connector
Mouse	Mini DIN connector (selectable w / KB) or Y-cable
LAN	Intel® 82562ET (10/100Mbps) Support Wake-on-LAN with ATX power
USB	2 x USB 2.0

Display

Graphic	Built-in Intel® 852GM, share system memory, Support CRT, LVDS
LCD Interface	18/36-bit LVDS

Environment

Operation Temp.	0°~60°C(32°~140°F)
Storage Temp.	-40°~85°C(-40°~185°F)
Humidity	Operation humidity 20~90%, storage humidity 20~95%

Ordering Information

PCI-471LF-C600	PCI CPU card w Celeron M ULV 600MHz CPU / VGA / LAN (10/100Mbps)
PCI-471LF-C1000	PCI CPU card w Celeron M ULV 1GHz CPU / VGA / LAN (10/100Mbps)

Certificate: CE, FCC, CLASS A

PERFORMANCE & POWER CONSUMPTION

CPU Type	Business Winstone 2001	3D Mark 2001 build 330	3D Mark 2003	Power Consumption +5V/+12V
Celeron® M 600MHz	35	1155	59	2.35A/0.43A

All of trademarks and brand names are the property of their owners. Trademark "Protech" is the property of Protech Systems Co., Ltd. All information contained in this document is subject to change without any prior notice. This catalog is copyrighted in DEC. 2006