

## Precision Rotative Transducers, Conductive Plastic, Economic Series (ECO)



### FEATURES

- Size 09
- Long Life
- Bush or Servo Mounting
- Comolded Terminals

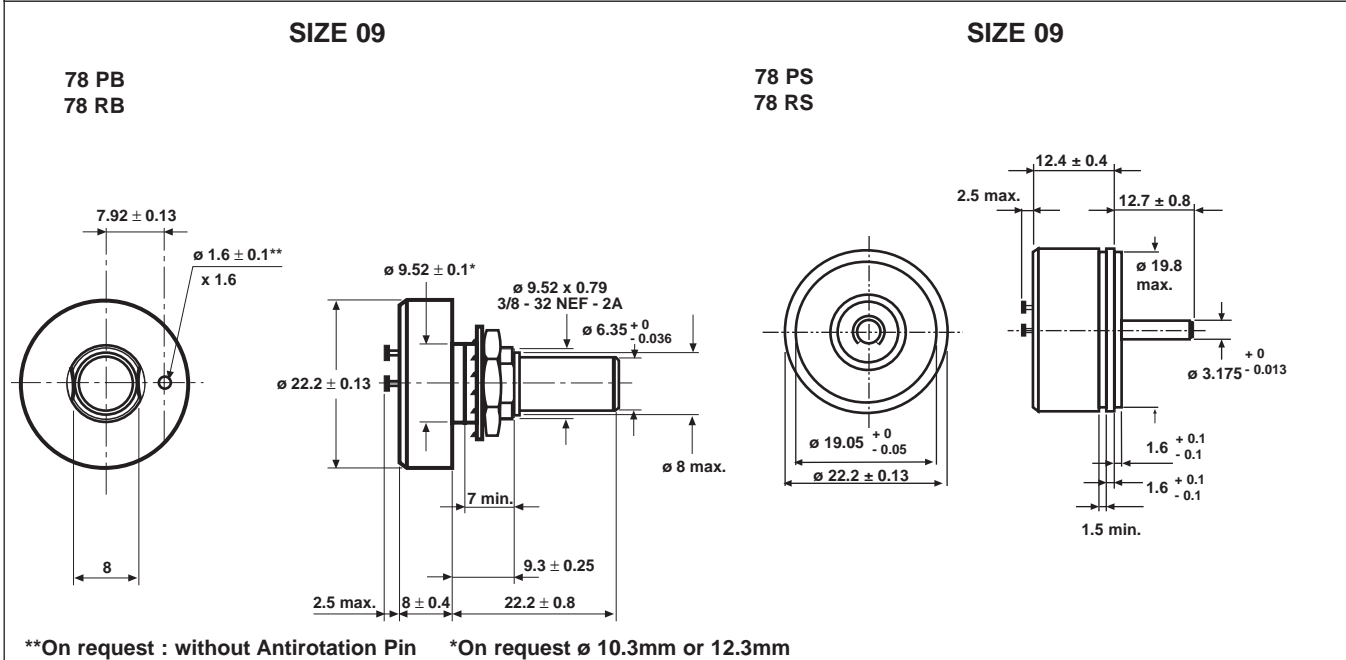
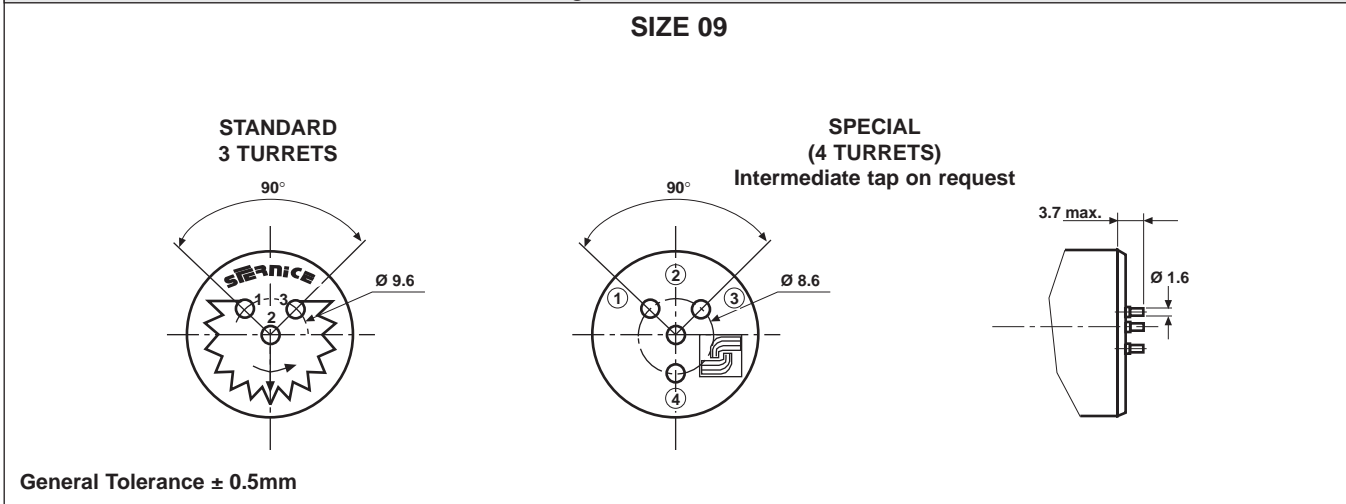
Low cost industrial motion transducers, conductive plastic track.

<b>SIZE</b>	09			
<b>MODEL</b>	78 RS	78 RB	78 PS	78 PB

<b>ELECTRICAL SPECIFICATIONS</b>	
Theoretical electrical angle (TEA)	(AEA) - 3°
Independent linearity (over TEA)	A ≤ ± 1%, on request: B ≤ ± 0.5% C ≤ ± 0.35%      A ≤ ± 2%
Actual electrical angle (AEA)	340° ± 5°
Ohmic values (RT)	1 - 2 - 5 - 10kΩ, on request ± 10%      1 - 2 - 5 - 10kΩ
Ohmic value tolerances at 20°C	±20%, on request other values      ± 20%
Output smoothness	0.1%
Maximum power rating at 70°C	0.3W
Wiper current	recommended: a few μA - 1mA max. (continuous)
Tap (current or voltage)	1: on request      NA
Resistance load on wiper	≥ 1000 x R <sub>T</sub>
End voltage	≤ 0.5%
Insulation resistance	≥ 1000MΩ, 500VDC
Dielectric strength	≥ 500VRMS, 50Hz

<b>MECHANICAL SPECIFICATIONS</b>	
<b>Mechanical angle (MA)</b> on request: stops	360° continuous 342° ± 5°
<b>Mounting type</b>	servo      bushing      servo      bushing
<b>Shaft guiding</b>	sleeve bearings
<b>Shaft</b>	stainless steel
<b>Option: Flat or screw driver slot on shaft</b>	on request      NA
<b>Termination</b>	turrets
<b>Wiper</b>	precious metal multi-finger contact
<b>Starting torque (N.cm)</b>	≤ 0.5
<b>Torque on stops (N.cm)</b>	≥ 20
<b>Weight (g)</b>	bushing 17g ± 3g      servo 12g ± 3g

<b>PERFORMANCE</b>	
<b>Life (10<sup>6</sup> cycles)</b>	5 to 10
<b>Temperature range</b>	- 55°C, + 125°C
<b>Climatic category</b>	55 / 125 / 04
<b>Speed rotation (RPM)</b>	150
<b>Sine vibration on 3 axes</b>	15g from 10Hz to 2000Hz
<b>Mechanical shocks on 3 axes</b>	50g - 11ms - half sine

**DIMENSIONS** in millimeters, general tolerance  $\pm 0.5\text{mm}$ 

**REAR VIEW DIMENSIONS** in millimeters, general tolerance 0.5mm

**ORDERING INFORMATION**

ECO SERIES	78 MODEL	P TYPE	S FIXATION	M MECHANICAL STOPS	A LINEARITY	T TAP	103 OHMIC VALUE	W... SPECIAL FEATURES
		P R	S: Servo B: Bushing	on request M	A: $\pm 1\%$ or $\pm 2\%$ B: $\pm 0.5\%$ C: $\pm 0.35\%$	on request T: voltage U: current position to be specified	102: 1k $\Omega$ 202: 2k $\Omega$ 502: 5k $\Omega$ 103: 10k $\Omega$	Special Feature Code Number