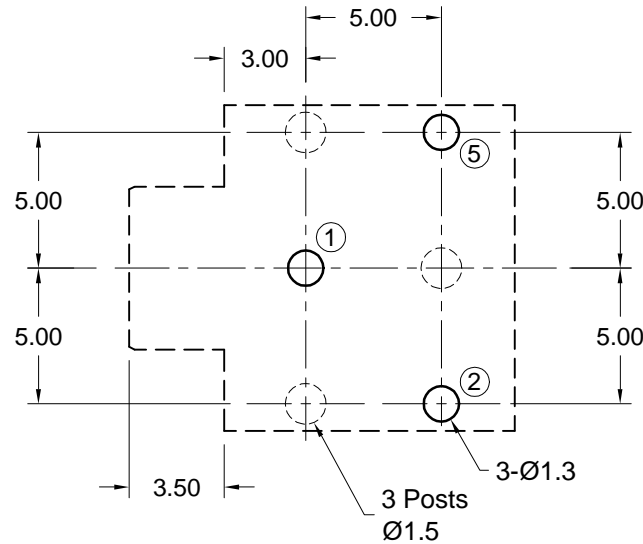


⚠ Level of the solderpin shoulder shall not extend below the level of the plastic stand-offs, to allow part to rest solely on the stand-offs when inserted into PCB



Recommended PCB Layout  
(bottom view)

**Materials and Finish**

Housing: PBT Thermoplastic  
30% Glass Filled, Black Color  
UL 94V-0 Rated

Bushing: Copper Alloy, Nickel Plated

Sleeve: SPCC, Nickel Plated

Tip & Ring Contacts:  
Phosphor Bronze, Tin Plated

**Mechanical Characteristics**

Insertion Force:  
0.4kg - 2.0kg

Extraction Force:  
0.3kg - 2.0kg

Durability: 5000 mating cycles

**Electrical Characteristics**

Contact Resistance:  
Before Test: 30mohms Max.  
After Durability Test:  
60 mohms Max.

Insulation Resistance:  
More than 100 Megohms  
at 250V DC

Dielectric Strength:  
250V AC RMS for 1 minute

Operating Temp:  
-25°C to +80°C

**Tolerances**

X.X ±0.2  
X.XX ±0.1  
ANG. ±2°

Unless Stated  
Otherwise

CSA US/C Certified File No. LR78160

REVISION	DATE	DESCRIPTION	DRAWN BY	REV CHECK BY	UNITS
A2	5/9/01	ref. ECD #01-083	C. Leiva	C. Leiva	mm
A3	4/5/02	ref. ECD #01-128	REVISED BY	REV CHECK DATE	DATE
A4	7/25/03	ref. ECD #03-036	T. Gokcek	7/28/03	1/24/01

ST-3100-3N

Thru-Hole 3.5mm Stereo Jack

3 pos., No Switch, Non-threaded Barrel

