

**Materials and Finish**

Housing: PBT Thermoplastic  
 30% Glass Filled, Black Color  
 UL 94V-0 Rated

Bushing: Copper Alloy, Nickel Plated

Sleeve: SPCC, Nickel Plated

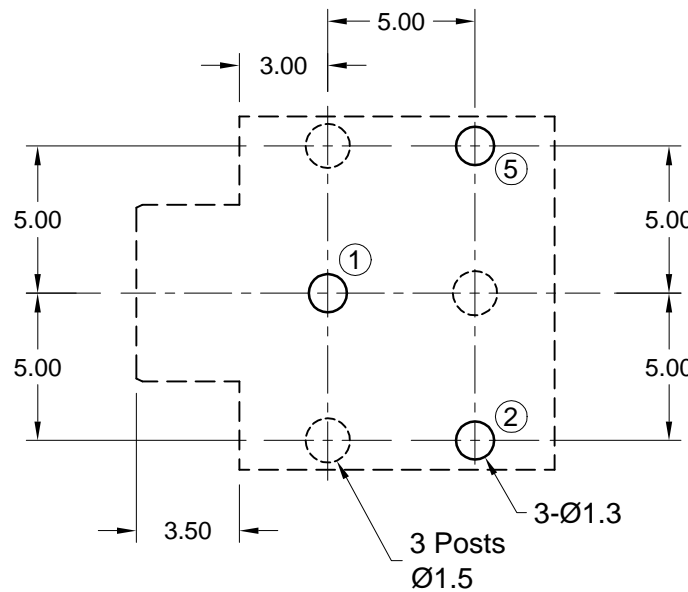
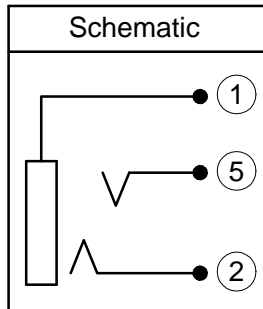
Tip & Ring Contacts:  
 Phosphor Bronze, Tin Plated

**Mechanical Characteristics**

Insertion Force:  
 0.4kg - 2.0kg

Extraction Force:  
 0.3kg - 2.0kg

Durability: 5000 mating cycles



Recommended PCB Layout  
 (bottom view)

⚠ Knurled nut included  
 but not installed on parts

**Tolerances**

X.X ±0.2  
 X.XX ±0.1  
 ANG. ±2°

Unless Stated  
 Otherwise



REVISION	DATE	DESCRIPTION	DRAWN BY	REV CHECK BY	UNITS
A1	7/25/01	New Drawing	C. Leiva	C. Leiva	mm
A2	4/5/02	ECD #01-128	REVISED BY	REV CHECK DATE	DATE
A3	7/25/03	ECD #03-036	T. Gokcek	7/28/03	7/25/01

ST-3100-3C

Thru-Hole 3.5mm Stereo Jack

3 pos., No Switch, Threaded Barrel

