



Agilent Technologies

Ambient Light Photo Sensor (ALPS)

Key markets

- **Portable devices**
Mobile Phones, PDAs,
Digital Still Cameras,
Camcorders
- **Consumer**
Home Lighting, Audio Sets,
LCD TVs
- **Automotive**
Vehicle Dashboards, Head
and Rear Lights, Traffic Lights

Agilent's Ambient Light Photo Sensor (HSDL-9000) detects the amount of light available and signals as to whether or not backlighting is necessary in order to see a screen or keypad in mobile electronic devices such as phones, PDAs and laptop computers. Backlighting is only necessary about 40 percent of the time, so the HSDL-9000 can add significant time between battery recharges.

The HSDL-9000 outperforms other light detection solutions because its spectral response peaks at the same frequency (550 nm) as the human eye does. Other solutions using a silicon photodiode provide varying degrees of performance, especially in different light sources such as fluorescent and halogen. Agilent HSDL-9000 performs equally well with all light sources.



Agilent Technologies

Agilent Technologies Ambient Light Photo Sensor (ALPS)

Features

- Miniature PLCC Surface-Mount Package
- Lead-Free Package
- Integrated Photodiode and Analog to Digital Circuitry
- Peaks in the Human Luminosity Curve at 550nm
- Adjustable Sensitivity Control
3 digital levels or analog level presets

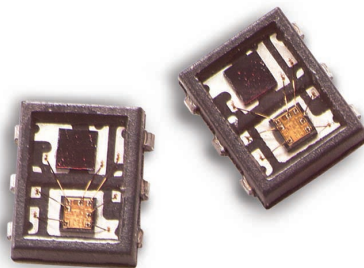
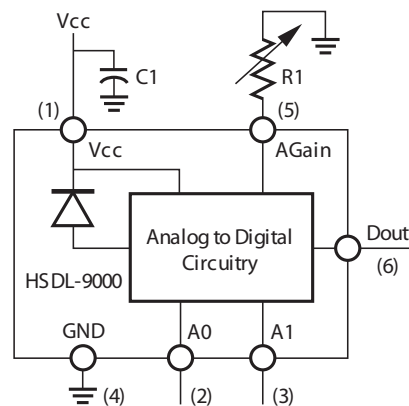
Benefits

- High level of integration brings faster and more accurate response in various ambient lighting conditions
- Designed to respond the same as the human eye's spectral wavelength response
- Conserves battery power in many portable devices

Key Parameters :

- Size : 1.1 (H) x 4.0 (W) x 3.2 (D) mm
- Supply voltage : 2.7 to 3.6 V
- Operating temperature :
-25 °C to +85 °C
- Power consumption :
 - 30 μ A Typical Idle (standby) current
 - <10nA Typical Shutdown current

Application Circuit for ALPS



Order information :

- Part Number : HSDL-9000
- Packaging Type: Tape & Reel
- Quantity : 1500

To find out more visit

www.agilent.com/view/ir