

General-purpose Limit Switch

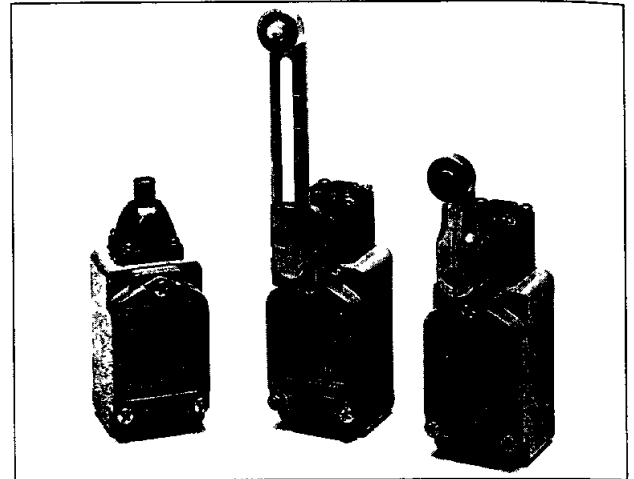
WL

Exceptionally Rugged Limit Switch With High Mechanical Strength

Wide range of actuator options to accommodate application requirements

Resistant construction (IP67) is oil-tight, waterproof and dustproof.

Actuator head can be mounted in any one of four directions



Ordering Information

Actuator type	Model
Adjustable roller lever	WLCA12-G
Short roller lever	WLCA2-G
Locking fork roller lever	WLCA32-41G
Adjustable rod lever	WLCL-G
Plain top plunger	WLD-G
Roller top plunger	WLD2-G
Plain side plunger	WLSD-G
Roller side plunger	WLSD2-G
Coil spring	WLNJ-G

Specifications

■ Characteristics

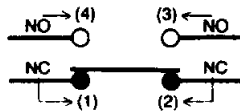
Operating speed	1 mm/s to 2 m/s (with Model WLCA2)	
Operating frequency	Mechanical 120 operations/min Electrical 30 operations/min	
Contact resistance	25 MΩ max (initial)	
Insulation resistance	100 MΩ min (at 500 VDC)	
Dielectric strength	1,000 VAC (600 V)*, 50/60 Hz for 1 minute between non-continuous terminals 2,200 VAC, 50/60 Hz for 1 minute between each terminal and non-current-carrying metal part and between each terminal and ground	
Temperature rise	50 degrees max.	
Vibration	Malfunction 10 to 55 Hz, 1 5-mm double amplitude	
Shock	Mechanical durability approx 1,000 m/s ² (approx 100 G) Malfunction durability approx 300 m/s ² (approx 30 G)	
Ambient temperature	Operating -10° to 80°C (with no icing)	
Ambient humidity	95% RH max	
Degree of protection	NEMA	Types 1, 2, 3, 3R, 4, 5, 6, 12 and 13
	IEC	IP67
	JIS	Immersion-proof
	UL	3, 4 and 13
Life expectancy	Mechanical 15,000,000 operations min Electrical See 'Engineering Data'	
Weight	Approx 275 g (with Model WLCA2)	



■ Contact Ratings

Rated voltage (V)	Non-inductive load (A)				Inductive load (A)			
	Resistive load		Lamp load		Inductive load		Motor load	
	NC	NO	NC	NO	NC	NO	NC	NO
125 VAC	10		3	1.5	10		5	2.5
250 VAC	10		2	1	10		3	1.5
480 VAC	10		1.5	0.8	3		1.5	0.8
600 VAC	3	1	0.5		1.5		1	0.5
8 VDC	10		6	3	10		6	
14 VDC	10		6	3	10		6	
30 VDC	6		4		6		4	
125 VDC	0.8		0.2	0.2	0.8		0.2	
250 VDC	0.4		0.1	0.1	0.4		0.1	

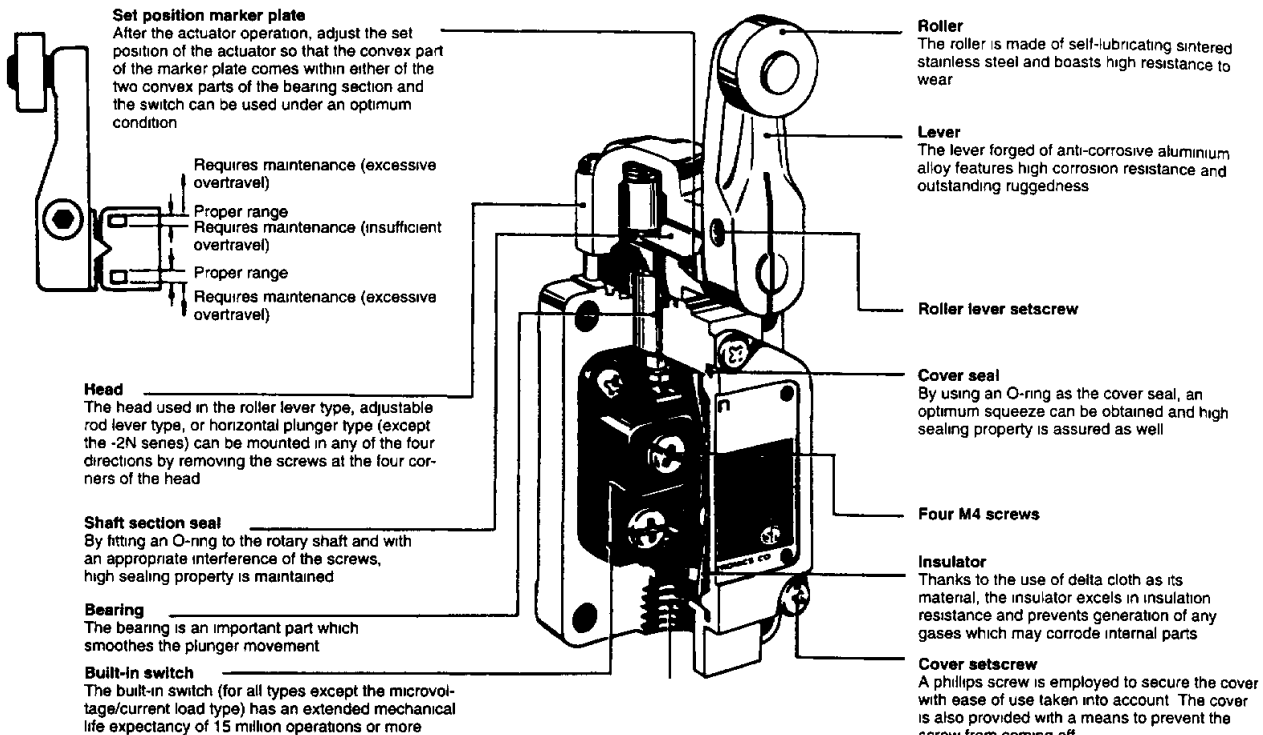
Contact form
Standard type, Microload type



■ Operating Characteristics

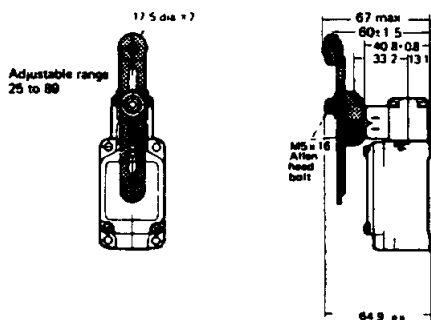
Item	Model								
	WLCA12G	WLCA2G	WLCA3241G	WLCLG	WLDG	WLD2G	WLSDG	WLS2G	WLNJG
Operating force (max)	13.34 N		11.77 N	1.39 N	26.7 N		40.03 N		1.47 N
Releasing force (min)	2.23 N		-	0.27 N	8.92 N		8.81 N	8.89 N	-
Pretravel (max)	15°±5°		50°±5°	15°±5°	1.7 mm		2.8 mm		20±10 mm
Overtravel (min.)	30°		35°	30°	6.4 mm	5.6 mm	6.4 mm	5.6 mm	-
Movement differential (max)	12°		-	12°	1 mm				-
Total travel (min)	40°		90°±10°	40°	-				-
Operating position	-				34±0.8 mm	44±0.8 mm	54.2±0.8 mm	54.1±0.8 mm	-
Total travel position (max)	-				29.5 mm	39.5 mm	-		

Engineering Data



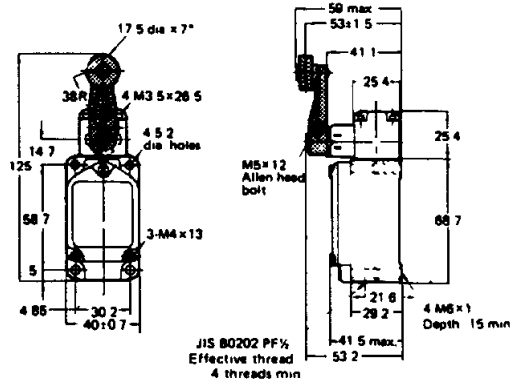
Dimensions

WLCA12



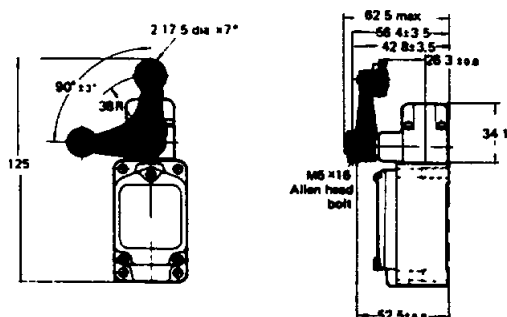
* Stainless sintered roller

WLCA2



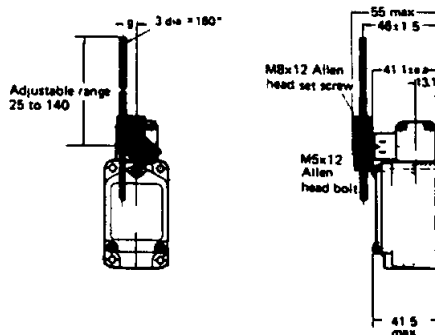
* Stainless sintered roller

WLCA32-41



* Resin roller

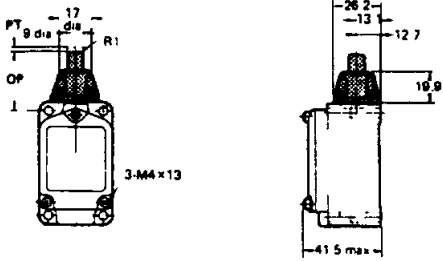
WLCL



* Stainless steel rod

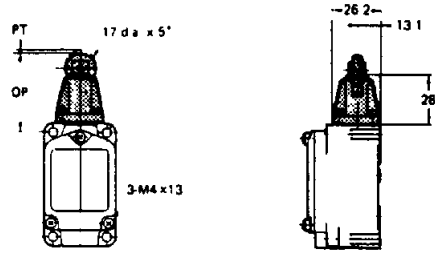


WLD



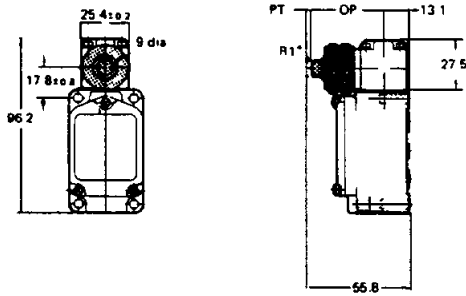
* Stainless sintered plunger

WLD2



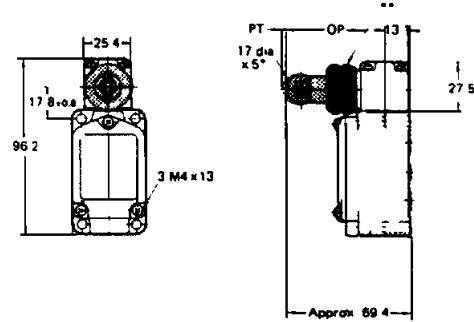
* Stainless sintered roller

W LSD



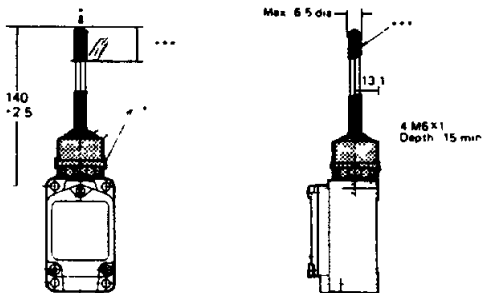
* Stainless steel plunger

W LSD2



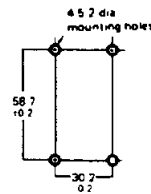
* Stainless steel roller
 ** Face nut (by loosening this nut, the direction of the roller may be changed arbitrarily)

WLNJ

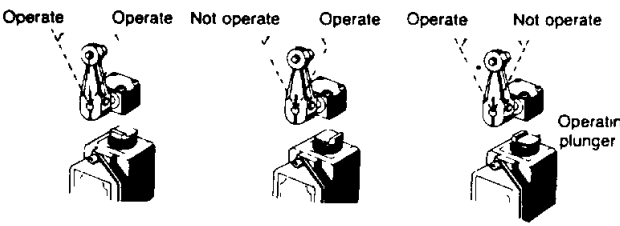
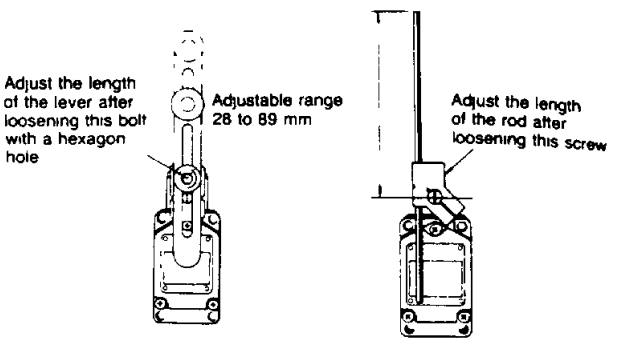
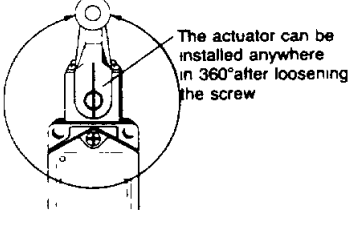
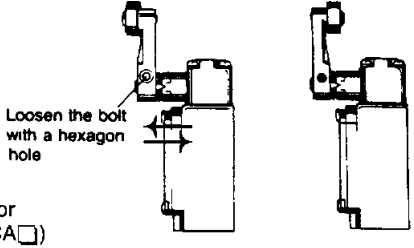
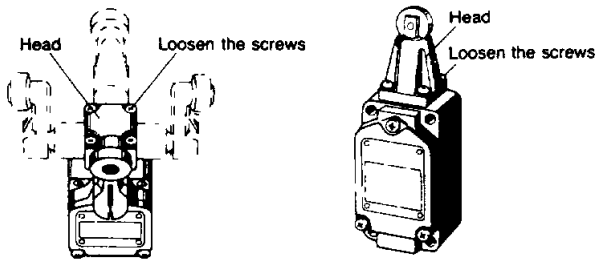


- * The coil spring may be operated from any direction except axial direction (↕)
- ** Rubber cap and clamping band
- *** Stainless steel coil spring
- **** Optimum operating range of the coil spring is within 1/3 of the entire length from the top end

Mounting holes



Operation

<p>Operating direction can be varied</p>  <p>Operate Operate Not operate Operate Operate Not operate</p> <p>Applicable actuators Roller lever (WLCA□) Rod level (WLCL)</p>	<p>Adjustable length of lever or rod</p>  <p>Adjust the length of the lever after loosening this bolt with a hexagon hole</p> <p>Adjustable range 28 to 89 mm</p> <p>Adjust the length of the rod after loosening this screw</p> <p>Applicable actuators Adjustable roller lever (WLCA12 etc.) Rod lever (WLCL etc.)</p>
<p>Installation position of the actuator can be varied</p>  <p>The actuator can be installed anywhere in 360° after loosening the screw</p> <p>Applicable actuator Roller lever (WLCA□) Rod lever (WLCL)</p>	<p>Roller may be installed in the shaft side (inside)</p>  <p>Loosen the bolt with a hexagon hole</p> <p>Applicable actuator Roller lever (WLCA□) Fork lever lock (WLCA32-4□)</p>
<p>Direction of the head can be varied</p>  <p>Head Loosen the screws</p> <p>Head Loosen the screws</p> <p>Applicable actuators Roller lever (WLCA□) Rod level (WLCL) Horizontal plunger (WLS□) Roller plunger (WLD2)</p>	

