

TPC-1270H

Intel® Pentium® M/Celeron® M Touch Panel Computer with 12.1" SVGA TFT LCD

NEW



Features

- Intel® Pentium® M Processor up to 1.4 GHz on board
- 12.1" SVGA TFT LCD
- Compact design with Al-Mg housing and Al alloy die-casting
- Fanless cooling system
- NEMA4/IP65 compliant front panel
- Supports Microsoft® Windows® XP/2000/CE and WinXPe
- Downward I/O cabling
- Automatic data flow control RS-485
- Giga Ethernet and fast Ethernet supported

Introduction

With a high quality TFT LCD display, TPC-1270H is designed with the Intel Pentium M 1.4 GHz/Celeron M 1 GHz processor as its core. The Intel Pentium M/Celeron M has low power consumption and 1.4 GHz/1 GHz operating frequency. This system is fanless although the kernel is powerful. In addition, spindle-free storage makes the TPC-1270H a durable and reliable platform. For applications where spindle-free storage is not critical, a fast-access HDD module can be used. The rich I/O portfolio meets diverse requests.

Specifications

General

- **BIOS** Award® 4 MB
- **Certifications** BSMI, CCC, CE, FCC, UL
- **Cooling System** Fanless design
- **Dimensions (W x H x D)** 311 x 237 x 65 mm (12.24" x 9.33" x 2.56")
- **Enclosure** Front bezel: Al-Mg
Back housing: Al alloy die-casting
- **Mounting** Desktop, Wall or Panel Mount
- **OS Support** Microsoft Windows XP/2000 and WinXPe
- **Power Consumption** 60 W
- **Power Input** 18 ~ 32 V_{DC}
- **Watchdog Timer** 1 sec (system)
- **Weight (Net)** 3.5 kg (7.72 lb)

System Hardware

- **Audio Ports** 1 x MIC-in, 1 x Line-out
- **CPU** Intel Pentium M 1.4 GHz/Celeron M 1 GHz
- **Expansion Slots** 1 x CompactFlash® slot
1 x PCI-104 Slot
- **Graphics Controller** Intel 915 GME
- **LAN** 1 x 10/100Base-T, 1 x 10/100/1000Base-T (TPC-1270H-P1E)
2 x 10/100Base-T (TPC-1270H-C1E)
- **Memory** 512 MB DDR2 SDRAM
- **Serial Ports** 3 x RS-232 and 1 x RS-232/485/422
- **Storage** 1 x CompactFlash card (optional), or
1 x 2.5" SATA HDD (optional)
- **USB Ports** 4 x USB 2.0
- **Video Ports** 1 x VGA

LCD Display

- **Backlight Life** 50,000 hrs
- **Contrast Ratio** 500:1
- **Display Size** 12.1"
- **Display Type** SVGA TFT LCD
- **Luminance cd/m²** 350
- **Max. Colors** 262 K
- **Max. Resolution** 800 x 600
- **Viewing Angle (H/V)** 140/120

Touchscreen

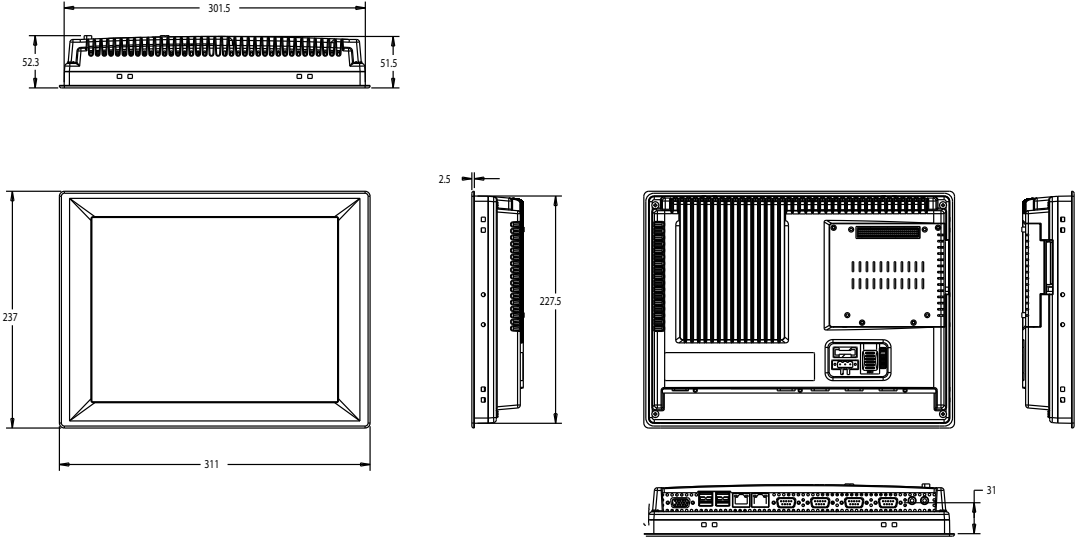
- **Lifespan** 1 million touches at single point
- **Light Transmission** Above 75%
- **Pixel Pitch (H x V)** 0.3075 x 0.3075 mm
- **Resolution** 1024 x 1024
- **Type** 8-wire, analog resistive

Environment

- **Humidity** 10 ~ 95% RH @ 40° C, non-condensing
- **Ingress Protection** Front panel: NEMA4, IP65
- **Operating Temperature** 0 ~ 50° C (32 ~ 122° F)
- **Storage Temperature** -20 ~ 70° C (-4 ~ 158° F)
- **Vibration Protection** With CompactFlash: 2 grms (5 ~ 500 Hz)
With HDD: 1 grms (5 ~ 500 Hz)
(Operating, random vibration)

Dimensions

Unit: mm



Panel Cut-out Dimensions: 312.5 x 228.5 mm

Ordering Information

- **TPC-1270H-P1E** 12.1" TFT LCD Display TPC with Intel Pentium M 1.4 GHz CPU, 512 MB DDR SDRAM
- **TPC-1270H-C1E** 12.1" TFT LCD Display TPC with Intel Celeron M 1 GHz CPU, 512 MB DDR SDRAM

Accessories

- **TPC-1260 STAND** TPC-1261H desktop stand
- **TPC-1260 WALLMT** TPC-1261H wallmount kit

- 1 PAC & Software
- 2 BAS
- 3 UNO
- 4 RS-485 I/O
- 5 Ethernet I/O
- 6 **TPC**
- 7 IPPC
- 8 FPM
- 9 AWS
- 10 Plug-in I/O
- 11 CompactPCI
- 12 Signal Conditioning
- 13 USB I/O
- 14 Motion Control I/O
- 15 Ethernet Switch
- 16 EDG
- 17 ICOM