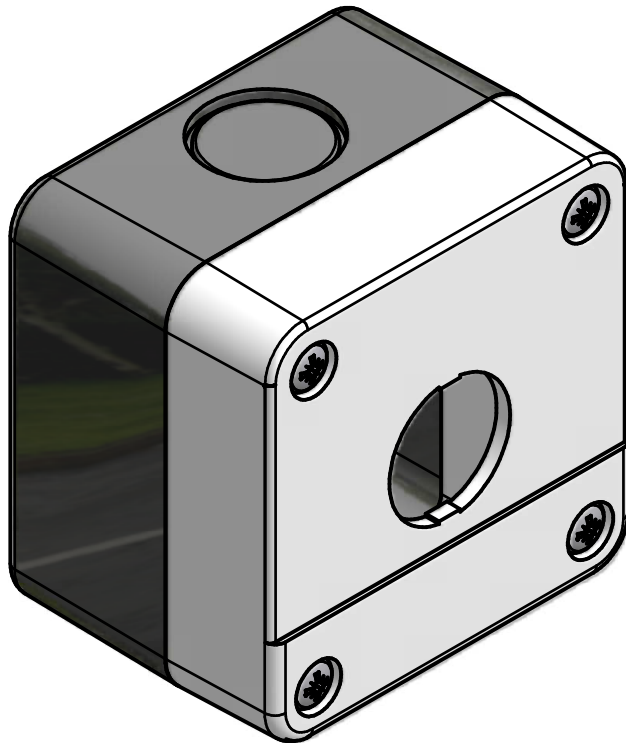
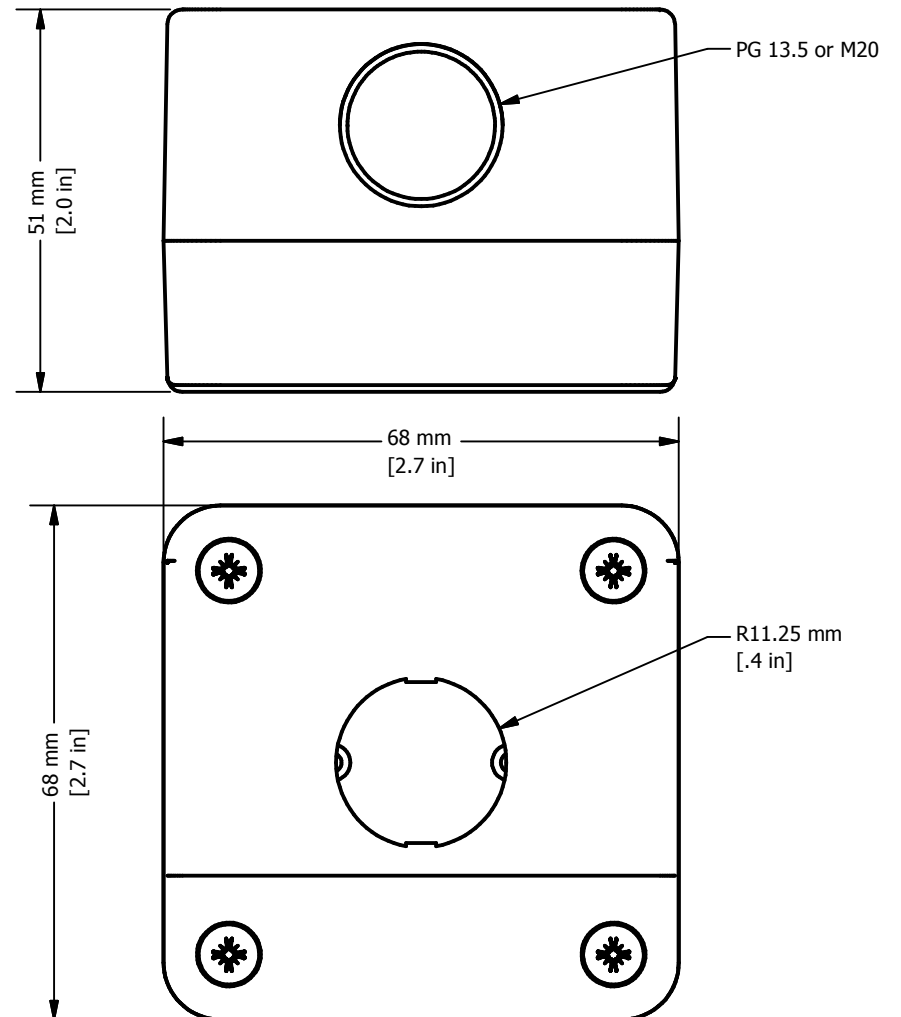


REVISION FOR DWG # 1PB-3-001-Q-11

REV	CH.NO.	DESCRIPTION	DATE	REVISED BY
-	-	ORIGINAL DESIGN	11/2/2007	PHILIPP E.



Plastic enclosure suited for non-illuminated push buttons with maximum 2 contact elements.



UNLESS OTHERWISE SPECIFIED:
 • ALL DIMENSIONS ARE IN MILLIMETERS
 • THIRD ANGLE PROJECTION



This Drawing is the property of

Altech Corp.

35 Royal Road
 Flemington, NJ 08822-6000
 (908) 806-9400
 Fax (908) 806-9490

AND IS A CONFIDENTIAL DISCLOSURE WITHOUT CONSIDERATION OTHER THAN THE BORROWER'S AGREEMENT THAT IT SHALL NOT BE REPRODUCED, COPIED, LENT OR DISPOSED OF DIRECTLY OR INDIRECTLY NOR USED FOR ANY PURPOSE OTHER THAN THAT FOR WHICH IT IS SPECIFICALLY FURNISHED.

TITEL **22 mm Thermoplastic Enclosure White/Black Operator Capacity 1 3-001-Q-11**

TOLERANCE		
XX	=	±1 mm
XX.X	=	±0.5 mm
XX.XX	=	±0.2 mm
ALL	=	- mm

METRIC

DRAWN BY: Philipp Ernstberger	11/2/2007	DRAWING NO.:	REV.:
CHECKED BY: Laszlo Gyorgypal	11/2/2007	1PB-3-001-Q-11	-
RELEASED BY: Laszlo Gyorgypal	11/2/2007	SCALE: -	SHEET: 1 OF: 1