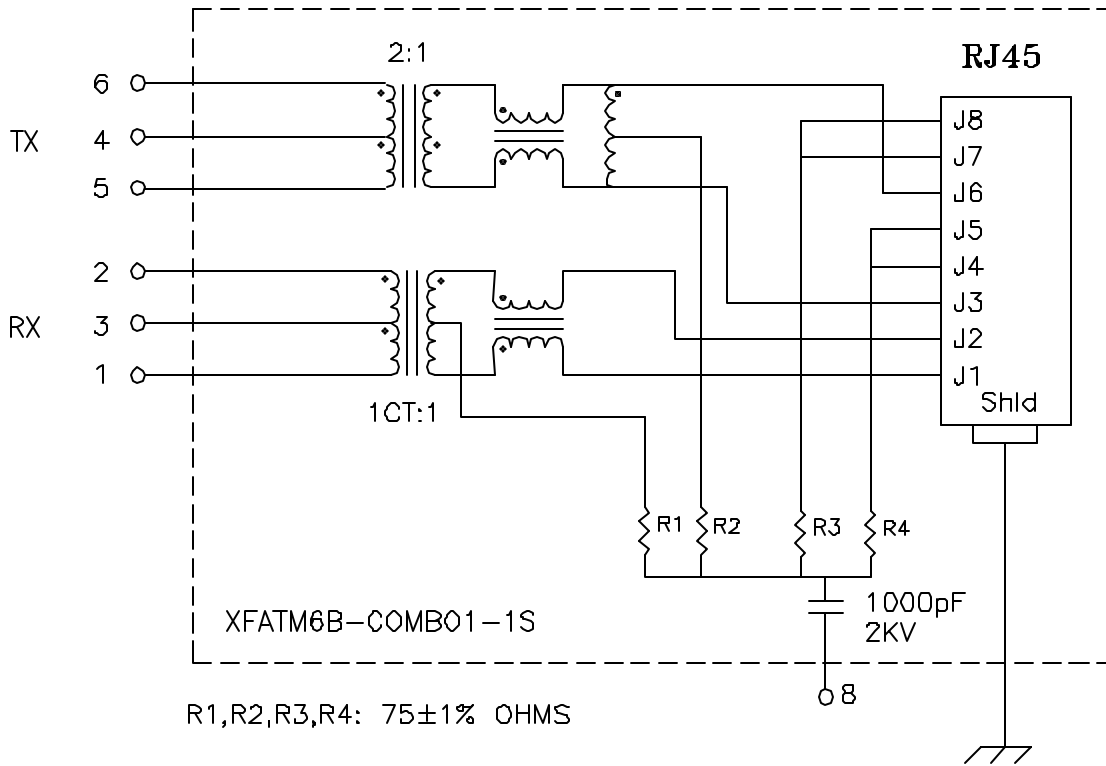


Schematic:



Electrical Specifications: @25°C

Isolation Voltage:	1500 Vac
Isolation Voltage:	500 Vac (P6+4+5-P2+3+1)
UTP SIDE OCL:	350uH Min @100KHz 100mV 8mADC
Rise Time (10-90%):	2.5ns Typical
Insertion Loss (300KHz-100MHz):	-1.1dB Maximum
Insertion Loss (100MHz-125MHz):	-1.5dB Maximum
Return Loss:	-12dB Typical @300KHz - 100MHz
Crosstalk:	
100KHz-60MHz	-40dB Typical
60MHz-100MHz	-38dB Typical
Common Mode to Differential Mode Rejection:	
100KHz-60MHz	-45dB Typ (Tx) / -40dB Typ (Rx)
60MHz-100MHz	-40dB Typ (Tx) / -35dB Typ (Rx)

Notes:

- Solderability: Leads shall meet MIL-STD-202G, Method 208H for solderability.
- Flammability: UL94V-0
- ASTM oxygen index: > 28%
- Insulation System: Class F 155°C. UL file E151556
- Operating Temperature Range: All listed parameters are to be within tolerance from -40°C to +85°C
- Storage Temperature Range: -55°C to +125°C
- Aqueous wash compatible
- Electrical and mechanical specifications 100% tested
- RoHS Compliant Component

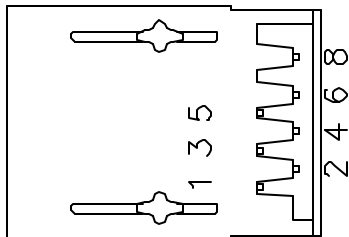
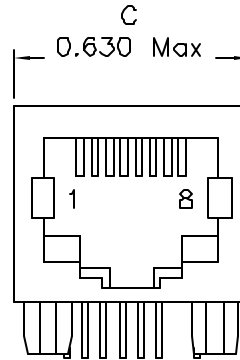
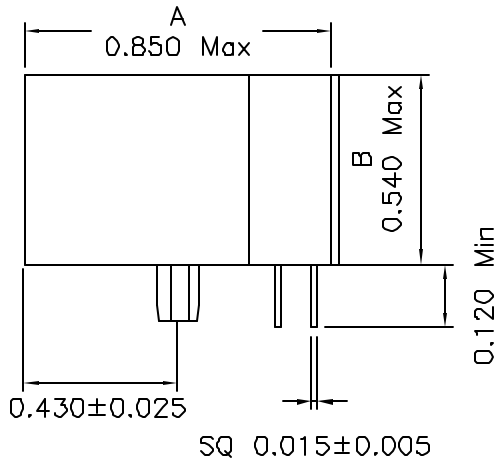
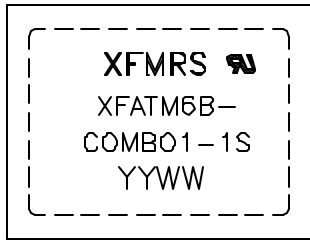
DOC REV: A/4

XFMRs Inc. www.XFMRs.com	Title: SINGLE PORT COMBO		
	UNLESS OTHERWISE SPECIFIED	P/N: XFATM6B-COMBO1-1S	REV. A
TOLERANCES: .xxx ±0.010	DWN.	刘 鹏	Aug-09-07
Dimensions in Inch	CHK.	李小锋	Aug-09-07
SHEET 1 OF 2	APP.	MS	Aug-09-07

PROPRIETARY:

Document is the property of XFMRs Group & is not allowed to be duplicated without authorization.

Mechanical Dimensions:

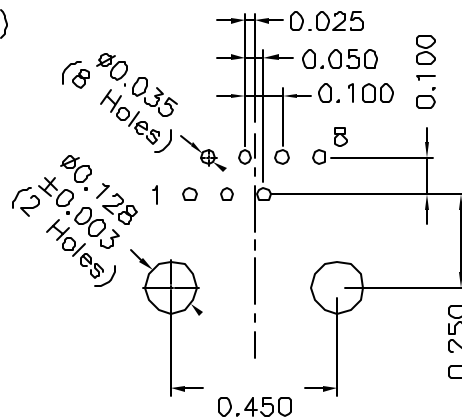


(BOTTOM VIEW)

Mounting Pattern:

(FOR COMBO1-1S)
(COMP SIDE)

*Remove Pin #7



DOC REV: A/4

XFMRs Inc. www.XFMRS.com	Title: SINGLE PORT COMBO		
	UNLESS OTHERWISE SPECIFIED TOLERANCES: .xxx ±0.010 Dimensions in Inch	P/N: XFATM6B-COMBO1-1S	REV. A
SHEET 2 OF 2	DWN.	Juan Mao	Aug-09-07
	CHK.	YK Liao	Aug-09-07
	APP.	MS	Aug-09-07

PROPRIETARY:

Document is the property of XFMRs Group & is not allowed to be duplicated without authorization.