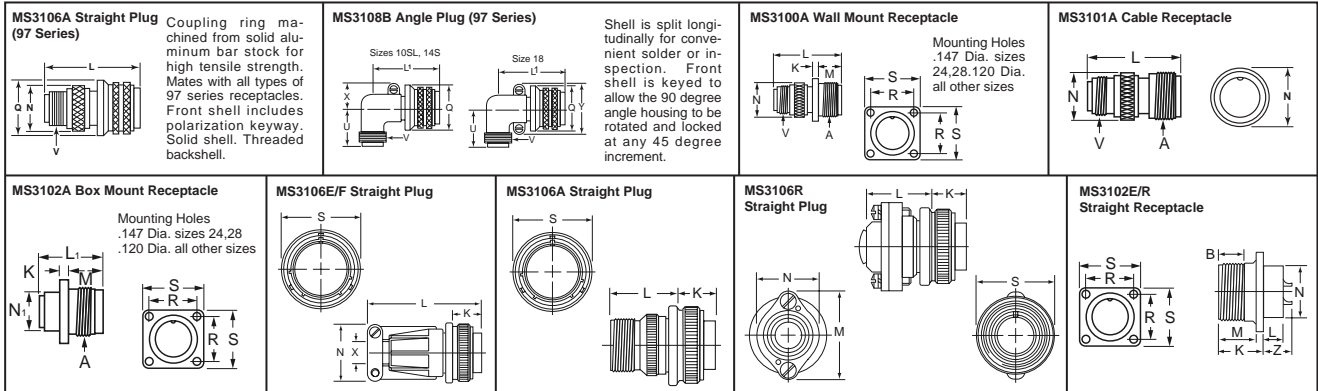


Amphenol® Circular 97 Series Threaded Connectors with Solder Contacts (MIL-C-5015 Type)

Underwriters Laboratories approved recognition
File E115497. Canadian Standard Association
Certification File LR69183

Low cost, general duty, non-environmental MIL-C-5015 type connectors. Available in either A solid or B split shell styles. Used extensively in the machine tool industry, welding industry and numerous other commercial applications. • Single key/keyway polarization • Threaded coupling • Hard dielectric inserts made of diallyl-phthalate • Aluminum alloy components with a conductive cadmium plate finish and olive chromate after-treatment • Contacts are solder type, silver plated with pre-tinned solder cups • Cable clamps are zinc alloy with olive drab/green chromate finish

A



Insert Patterns
(Front face of pin insert shown. Drawings not to scale.)



SERVICE RATING:

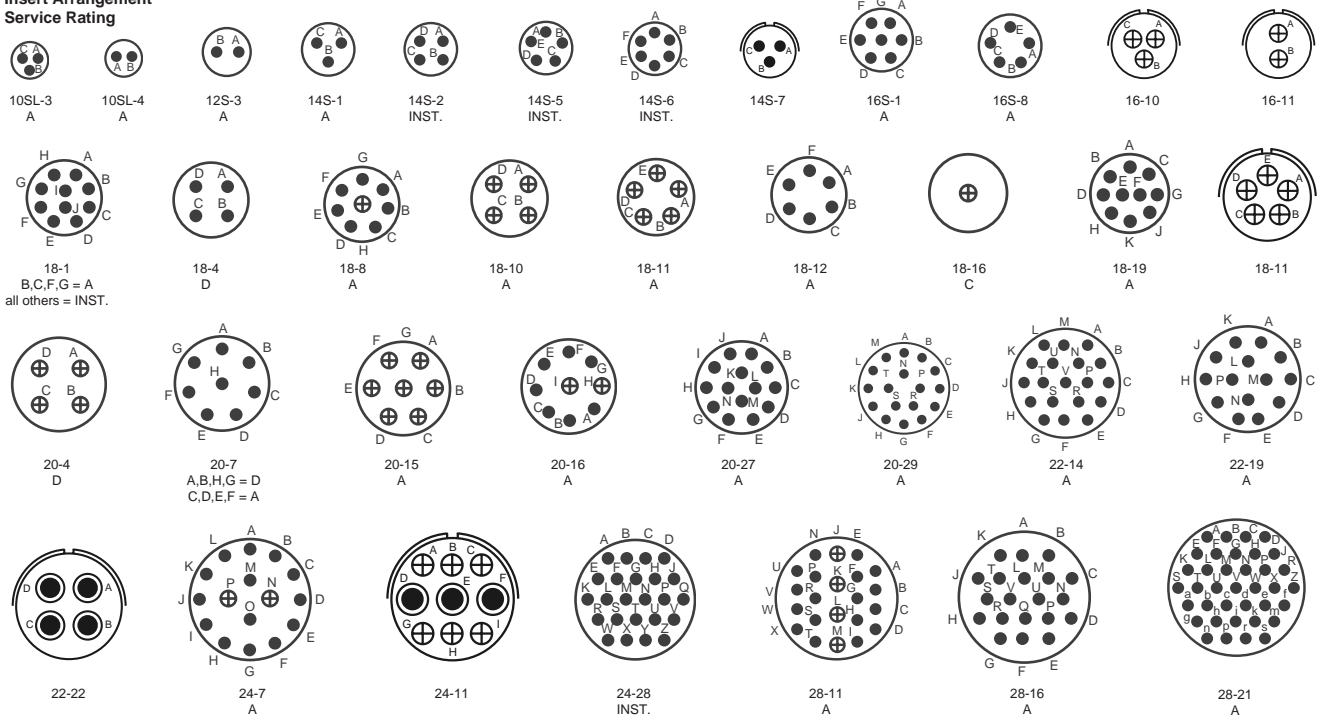
	DC	INST	A	D	E	B	C
Limited Operating Voltages at Sea Level	250	700	1250	1750	2450	4200	
AC(rms)	200	500	900	1250	1750	3000	

TEST CURRENT: Contact Size 16 = 13 amperes, Contact Size 12 = 23 amperes
NOTE: Transients were not considered in calculating these values.
NOTE: Limiting operating voltage at 50,000 feet altitude are approx. 25% of the sea level values.

Panel Opening



Insert Arrangement Service Rating



97 Series Plugs

Shell Size/ Insert Arrangement No.	No. of Contacts/ Size	Description	Digi-Key Part No.	Price Each			Dimensions in Inches							Amphenol Part No.	
				1	10	50	L Max.	L1 Max.	N Ref.	Q Max.	U Ref.	V Fitting Thread	X Ref.		Y Ref.
<i>Straight Plugs with Solid Shells</i>															
10SL-3	3/16	Straight Plug w/Socket	97-3106A-10SL-3S-ND	12.00	8.40	6.24	1-3/8	—	3/4	7/8	—	5/8-24	—	—	97-3106A-10SL-3S
10SL-4	2/16	Straight Plug w/Socket	97-3106A-10SL-4S-ND	11.35	7.95	5.91	1-7/16	—	25/32	1	—	5/8-24	—	—	97-3106A-10SL-4S
12S-3	2/16	Straight Plug w/Pins	97-3106A-12S-3P-ND	10.40	7.28	5.41	1-7/16	—	25/32	1	—	5/8-24	—	—	97-3106A-12S-3P
		Straight Plug w/Socket	97-3106A-12S-3S-ND	11.13	7.79	5.79									97-3106A-12S-3S
14S-1	3/16	Straight Plug w/Pins	97-3106A-14S-1P-ND	10.43	7.30	5.43	1-15/32	—	7/8	1-1/8	—	3/4-20	—	—	97-3106A-14S-1P
		Straight Plug w/Socket	97-3106A-14S-1S-ND	12.30	8.61	6.40									97-3106A-14S-1S
14S-2	4/16	Straight Plug w/Pins	97-3106A-14S-2P-ND	10.38	7.27	5.40	1-15/32	—	7/8	1-1/8	—	3/4-20	—	—	97-3106A-14S-2P
		Straight Plug w/Socket	97-3106A-14S-2S-ND	12.88	9.02	6.70									97-3106A-14S-2S

(Continued)

Amphenol® Circular 97 Series Threaded Connectors with Solder Contacts (MIL-C-5015 Type) (Cont.)

Shell Size/ Insert Arrange- ment No.	No. of Contacts/ Size	Description	Digi-Key Part No.	Price Each			Dimensions in Inches								Amphenol Part No.
				1	10	50	L Max.	L1 Max.	N Ref.	Q Max.	U Ref.	V Fitting Thread	X Ref.	Y Ref.	
14S-5	5/16	Straight Plug w/Pins	97-3106A-14S-5P-ND	11.60	8.12	6.04	1-15/32	—	7/8	1-1/8	—	3/4-20	—	—	97-3106A-14S-5P
		Straight Plug w/Socket	97-3106A-14S-5S-ND	13.83	9.68	7.19									97-3106A-14S-5S
14S-6	6/16	Straight Plug w/Pins	97-3106A-14S-6P-ND	12.03	8.42	6.26	1-15/32	—	1	1-1/4	—	7/8-20	—	—	97-3106A-14S-6P
		Straight Plug w/Socket	97-3106A-14S-6S-ND	13.95	9.77	7.26									97-3106A-14S-6S
16S-1	7/16	Straight Plug w/Pins	97-3106A-16S-1P-ND	12.03	8.42	6.26	1-15/32	—	1	1-1/4	—	7/8-20	—	—	97-3106A-16S-1P
		Straight Plug w/Socket	97-3106A-16S-1S-ND	15.40	10.78	8.01									97-3106A-16S-1S
16S-8	5/16	Straight Plug w/Pins	97-3106A-16S-8P-ND	13.43	9.40	6.99	1-15/32	—	1	1-1/4	—	7/8-20	—	—	97-3106A-16S-8P
		Straight Plug w/Socket	97-3106A-16S-8S-ND	13.93	9.75	7.25									97-3106A-16S-8S
18-1	10/16	Straight Plug w/Pins	97-3106A-18-1P-ND	15.78	11.05	8.21	1-31/32	—	1-1/8	1-11/32	—	1-20	—	—	97-3106A-18-1P
		Straight Plug w/Socket	97-3106A-18-1S-ND	17.45	12.22	9.08									97-3106A-18-1S
18-4	4/16	Straight Plug w/Pins	97-3106A-18-4P-ND	14.60	10.22	7.60	1-31/32	—	1-1/8	1-11/32	—	1-20	—	—	97-3106A-18-4P
		Straight Plug w/Socket	97-3106A-18-4S-ND	15.75	11.03	8.19									97-3106A-18-4S
18-8	4/1#12, 4/7#16	Straight Plug w/Pins	97-3106A-18-8P-ND	17.24	11.26	9.44	1-31/32	—	1-1/8	1-11/32	—	1-20	—	—	97-3106A-18-8P
		Straight Plug w/Socket	97-3106A-18-8S-ND	18.62	12.16	10.20									97-3106A-18-8S
18-10	4/12	Straight Plug w/Pins	97-3106A-18-10P-ND	17.48	12.24	9.09	1-31/32	—	1-1/8	1-11/32	—	1-20	—	—	97-3106A-18-10P
		Straight Plug w/Socket	97-3106A-18-10S-ND	18.62	12.16	10.20									97-3106A-18-10S
18-11	5/12	Straight Plug w/Pins	97-3106A-18-11P-ND	17.48	12.24	9.09	1-31/32	—	1-1/8	1-11/32	—	1-20	—	—	97-3106A-18-11P
		Straight Plug w/Socket	97-3106A-18-11S-ND	17.24	11.26	9.44									97-3106A-18-11S
18-12	6/16	Straight Plug w/Pins	97-3106A-18-12P-ND	14.33	10.03	7.45	1-31/32	—	1-1/8	1-11/32	—	1-20	—	—	97-3106A-18-12P
		Straight Plug w/Socket	97-3106A-18-12S-ND	17.48	12.24	9.09									97-3106A-18-12S
18-16	1/12	Straight Plug w/Pins	97-3106A-18-16P-ND	17.48	12.24	9.09	1-31/32	—	1-1/8	1-11/32	—	1-20	—	—	97-3106A-18-16P
		Straight Plug w/Socket	97-3106A-18-16S-ND	19.64	12.82	10.76									97-3106A-18-16S
18-19	10/16	Straight Plug w/Pins	97-3106A-18-19P-ND	22.52	14.42	12.77	1-31/32	—	1-1/8	1-11/32	—	1-20	—	—	97-3106A-18-19P
		Straight Plug w/Socket	97-3106A-18-19S-ND	19.21	12.54	10.52									97-3106A-18-19S
20-4	4/12	Straight Plug w/Pins	97-3106A-20-4P-ND	20.16	13.16	11.04	1-7/8	—	1-1/4	1-15/32	—	1-3/16-18	—	—	97-3106A-20-4P
		Straight Plug w/Socket	97-3106A-20-4S-ND	26.35	16.87	14.94									97-3106A-20-4S
20-7	8/16	Straight Plug w/Pins	97-3106A-20-7P-ND	20.16	13.16	11.04	1-7/8	—	1-1/4	1-15/32	—	1-3/16-18	—	—	97-3106A-20-7P
		Straight Plug w/Socket	97-3106A-20-7S-ND	21.66	14.14	11.86									97-3106A-20-7S
20-15	7/12	Straight Plug w/Pins	97-3106A-20-15P-ND	22.09	14.42	12.09	1-7/8	—	1-1/4	1-15/32	—	1-3/16-18	—	—	97-3106A-20-15P
		Straight Plug w/Socket	97-3106A-20-15S-ND	27.70	17.73	15.70									97-3106A-20-15S
20-16	9/2#12, 9/7#16	Straight Plug w/Pins	97-3106A-20-16P-ND	22.11	14.44	12.11	1-7/8	—	1-1/4	1-15/32	—	1-3/16-18	—	—	97-3106A-20-16P
		Straight Plug w/Socket	97-3106A-20-16S-ND	22.50	14.40	12.75									97-3106A-20-16S
20-27	14/16	Straight Plug w/Pins	97-3106A-20-27P-ND	19.78	12.92	10.83	1-7/8	—	1-1/4	1-15/32	—	1-3/16-18	—	—	97-3106A-20-27P
		Straight Plug w/Socket	97-3106A-20-27S-ND	23.18	14.84	13.14									97-3106A-20-27S
20-29	17/16	Straight Plug w/Pins	97-3106A-20-29P-ND	21.07	13.75	11.54	1-7/8	—	1-1/4	1-15/32	—	1-3/16-18	—	—	97-3106A-20-29P
		Straight Plug w/Socket	97-3106A-20-29S-ND	25.45	16.29	14.43									97-3106A-20-29S
22-14	19/16	Straight Plug w/Pins	97-3106A-22-14P-ND	24.05	15.40	13.63	1-31/32	—	1-3/8	1-19/32	—	1-3/16-18	—	—	97-3106A-22-14P
		Straight Plug w/Socket	97-3106A-22-14S-ND	27.32	17.49	15.48									97-3106A-22-14S
22-19	14/16	Straight Plug w/Pins	97-3106A-22-19P-ND	23.58	15.10	13.37	1-31/32	—	1-3/8	1-19/32	—	1-3/16-18	—	—	97-3106A-22-19P
		Straight Plug w/Socket	97-3106A-22-19S-ND	24.05	15.40	13.63									97-3106A-22-19S
24-7	16/2 #12, 16/14 #16	Straight Plug w/Pins	97-3106A-24-7P-ND	28.46	18.22	16.13	2-1/4	—	1-1/2	1-23/32	—	1-7/16-18	—	—	97-3106A-24-7P
		Straight Plug w/Socket	97-3106A-24-7S-ND	30.83	19.73	17.47									97-3106A-24-7S
24-28	24/16	Straight Plug w/Pins	97-3106A-24-28P-ND	29.77	19.06	16.87	2-1/4	—	1-1/2	1-23/32	—	1-7/16-18	—	—	97-3106A-24-28P
		Straight Plug w/Socket	97-3106A-24-28S-ND	33.71	21.58	19.10									97-3106A-24-28S
28-11	22/4#12, 22/18#16	Straight Plug w/Pins	97-3106A-28-11P-ND	32.27	20.65	18.29	2-1/4	—	1-3/4	1-31/32	—	1-7/16-18	—	—	97-3106A-28-11P
		Straight Plug w/Socket	97-3106A-28-11S-ND	34.66	24.27	21.67									97-3106A-28-11S
28-16	20/16	Straight Plug w/Pins	97-3106A-28-16P-ND	33.23	21.27	18.84	2-1/4	—	1-3/4	1-31/32	—	1-7/16-18	—	—	97-3106A-28-16P
		Straight Plug w/Socket	97-3106A-28-16S-ND	33.66	21.55	19.08									97-3106A-28-16S
28-21	37/16	Straight Plug w/Pins	97-3106A-28-21P-ND	34.54	24.18	21.59	2-1/4	—	1-3/4	1-31/32	—	1-7/16-18	—	—	97-3106A-28-21P
		Straight Plug w/Socket	97-3106A-28-21S-ND	38.94	27.26	24.34									97-3106A-28-21S
<i>Angle Plugs with Split Shell</i>															
10SL-3	3/16	Angle Plug w/Socket	97-3108B-10SL-3S-ND	16.03	11.22	8.34	—	1-1/2	—	7/8	1	5/8-24	—	—	97-3108B-10SL-3S
10SL-4	2/16	Angle Plug w/Socket	97-3108B-10SL-4S-ND	15.30	10.71	7.96	—	1-1/2	—	7/8	1	5/8-24	—	—	97-3108B-10SL-4S
14S-1	3/16	Angle Plug w/Pins	97-3108B-14S-1P-ND	13.93	9.75	7.25	—	1-23/32	—	1-1/8	1-1/16	3/4-20	21/32	—	97-3108B-14S-1P
		Angle Plug w/Socket	97-3108B-14S-1S-ND	14.28	10.00	7.43									97-3108B-14S-1S
14S-2	4/16	Angle Plug w/Pins	97-3108B-14S-2P-ND	13.80	9.66	7.18	—	1-23/32	—	1-1/8	1-1/16	3/4-20	21/32	—	97-3108B-14S-2P
		Angle Plug w/Socket	97-3108B-14S-2S-ND	14.90	10.43	7.75									97-3108B-14S-2S
14S-5	5/16	Angle Plug w/Pins	97-3108B-14S-5P-ND	15.13	10.59	7.87	—	1-23/32	—	1-1/8	1-1/16	3/4-20	21/32	—	97-3108B-14S-5P
		Angle Plug w/Socket	97-3108B-14S-5S-ND	15.55	10.89	8.09									97-3108B-14S-5S
14S-6	6/16	Angle Plug w/Pins	97-3108B-14S-6P-ND	15.55	10.89	8.09	—	1-23/32	—	1-1/8	1-1/16	3/4-20	21/32	—	97-3108B-14S-6P
		Angle Plug w/Socket	97-3108B-14S-6S-ND	15.98	11.19	8.31									97-3108B-14S-6S
18-1	10/16	Angle Plug w/Pins	97-3108B-18-1P-ND	22.02	14.37	12.06	—	2-5/32	—	1-11/32	1-3/16	1-20	1-41/64	1-41/64	97-3108B-18-1P
		Angle Plug w/Socket	97-3108B-18-1S-ND	24.08	15.41	13.65									97-3108B-18-1S
18-4	4/16	Angle Plug w/Pins	97-3108B-18-4P-ND	18.50	12.08	10.13	—	2-5/32	—	1-11/32	1-3/16	1-20	1-41/64	1-41/64	97-3108B-18-4P
		Angle Plug w/Socket	97-3108B-18-4S-ND	19.74	12.89	10.81									97-3108B-18-4S

(Continued)

More Product Available Online: www.digikey.com

Toll-Free: 1-800-344-4539 • Phone: 218-681-6674 • Fax: 218-681-3380

(T032) 195

Amphenol® Circular 97 Series Threaded Connectors with Solder Contacts (MIL-C-5015 Type) (Cont.)

Shell Size/ Insert Arrangement No.	No. of Contacts/ Size	Description	Digi-Key Part No.	Price Each			Dimensions in Inches							Amphenol Part No.	
				1	10	50	L Max.	L1 Max.	N Ref.	Q Max.	U Ref.	V Fitting Thread	X Ref.		Y Ref.
18-8	4/1#12, 4/7#16	Angle Plug w/Pins	97-3108B-18-8P-ND	22.02	14.37	12.06	—	2-5/32	—	1-11/32	1-3/16	1-20	1-41/64	1-41/64	97-3108B-18-8P
		Angle Plug w/Socket	97-3108B-18-8S-ND	23.39	15.27	12.81									97-3108B-18-8S
18-10	4/12	Angle Plug w/Pins	97-3108B-18-10P-ND	21.38	13.95	11.70									97-3108B-18-10P
		Angle Plug w/Socket	97-3108B-18-10S-ND	23.39	15.27	12.81									97-3108B-18-10S
18-11	5/12	Angle Plug w/Pins	97-3108B-18-11P-ND	21.38	13.95	11.70									97-3108B-18-11P
		Angle Plug w/Socket	97-3108B-18-11S-ND	22.02	14.37	12.06									97-3108B-18-11S
18-12	6/16	Angle Plug w/Pins	97-3108B-18-12P-ND	20.26	13.23	11.09									97-3108B-18-12P
		Angle Plug w/Socket	97-3108B-18-12S-ND	21.38	13.95	11.70									97-3108B-18-12S
18-16	1/12	Angle Plug w/Pins	97-3108B-18-16P-ND	22.04	14.39	12.07									97-3108B-18-16P
		Angle Plug w/Socket	97-3108B-18-16S-ND	24.10	15.43	13.66									97-3108B-18-16S
18-19	10/16	Angle Plug w/Pins	97-3108B-18-19P-ND	27.14	17.37	15.38									97-3108B-18-19P
		Angle Plug w/Socket	97-3108B-18-19S-ND	22.70	14.53	12.87									97-3108B-18-19S

A

Amphenol® MS/Standard Cylindrical with Solder Contacts (MIL-C-5015 Series 1 Type)

Shell Size/ Insert Arrangement No.	No. of Contacts/ Size	Description	Digi-Key Part No.	Price Each			Dimensions in Inches											Amphenol Part No.
				1	10	50	B Min Full Thread	K	L	M	N Dia.	R	S	X Min Cable Dim.	Z			
10SL-3	3/16	Plug w/Socket	MS3106E-10SL-3S-ND*	14.70	10.29	7.65	—	.531	2.129	—	.896	—	.946	.281	—	MS3106E-10SL-30S		
		Plug w/Socket	MS3106F-10SL-3S-ND†	16.70	11.69	8.69	—	.531	2.129	—	.896	—	.946	.281	—	MS3106F-10SL-3S		
		Plug w/Socket	MS3106R-10SL-3S-ND‡	15.25	10.68	7.93	—	.531	1.057	1.120	.807	—	.946	—	—	MS3106R-10SL-3S		
		Recept. w/Pins	MS3102E-10SL-3P-ND*	7.24	4.11	3.03	.391	.672	.297	.562	.625	.719	1.000	—	.422	MS3102E-10SL-3P		
		Recept. w/Pins	MS3102R-10SL-3P-ND‡	6.47	3.67	2.71	.391	.672	.297	.562	.625	.719	1.000	—	.422	MS3102R-10SL-3P		
10SL-4	2/16	Plug w/Socket	MS3106A-10SL-4S-ND	15.08	10.56	7.84	—	.531	.937	—	—	—	.946	—	—	MS3106A-10SL-4S		
		Plug w/Socket	MS3106E-10SL-4S-ND*	16.78	11.75	8.73	—	.531	2.129	—	.896	—	.946	.281	—	MS3106E-10SL-4S		
		Plug w/Socket	MS3106F-10SL-4S-ND†	14.88	10.42	7.74	—	.531	2.129	—	.896	—	.946	.281	—	MS3106F-10SL-4S		
		Recept. w/Pins	MS3102E-10SL-4P-ND*	6.60	3.75	2.76	.391	.672	.297	.562	.625	.719	1.000	—	.422	MS3102E-10SL-4P		
		Recept. w/Pins	MS3102R-10SL-4P-ND‡	5.86	3.33	2.45	.391	.672	.297	.562	.625	.719	1.000	—	.422	MS3102R-10SL-4P		
14S-2	4/16	Plug w/Pins	MS3106F-14S-2P-ND†	12.80	8.96	6.66	—	.531	2.201	—	1.021	—	1.123	.406	—	MS3106F-14S-2P		
		Plug w/Socket	MS3106A-14S-2S-ND	11.70	8.19	6.09	—	.531	.937	—	—	—	1.123	—	—	MS3106A-14S-2S		
		Plug w/Socket	MS3106F-14S-2S-ND†	16.91	11.04	9.26	—	.531	2.201	—	1.021	—	1.123	.406	—	MS3106F-14S-2S		
		Recept. w/Pins	MS3102E-14S-2P-ND*	8.82	5.30	4.12	.450	.672	.297	.562	.750	.906	1.188	—	.422	MS3102E-14S-2P		
		Recept. w/Socket	MS3102E-14S-2S-ND*	8.74	4.96	3.66	.450	.672	.297	.562	.750	.906	1.188	—	.422	MS3102E-14S-2S		
		Recept. w/Pins	MS3102R-14S-2P-ND‡	5.93	3.37	2.48	.450	.672	.297	.562	.750	.906	1.188	—	.422	MS3102R-14S-2P		
		Recept. w/Socket	MS3102R-14S-2S-ND‡	8.84	5.02	3.70	.450	.672	.297	.562	.750	.906	1.188	—	.422	MS3102R-14S-2S		
14S-5	5/16	Plug w/Pins	MS3106A-14S-5P-ND	11.58	8.11	6.02	—	.531	.937	—	—	—	1.123	—	—	MS3106A-14S-5P		
		Plug w/Socket	MS3106A-14S-5S-ND	13.00	9.10	6.76	—	.531	.937	—	—	—	1.123	—	—	MS3106A-14S-5S		
		Recept. w/Pins	MS3102E-14S-5P-ND*	7.67	4.36	3.21	.450	.672	.297	.562	.750	.906	1.188	—	.422	MS3102E-14S-5P		
		Recept. w/Pins	MS3102R-14S-5P-ND‡	9.08	5.15	3.80	.450	.672	.297	.562	.750	.906	1.188	—	.422	MS3102R-14S-5P		
14S-6	6/16	Plug w/Socket	MS3106A-14S-6S-ND	13.00	9.10	6.76	—	.531	.937	—	—	—	1.123	—	—	MS3106A-14S-6S		
		Plug w/Socket	MS3106F-14S-6S-ND†	16.80	11.76	8.74	—	.531	2.201	—	1.021	—	1.123	.406	—	MS3106F-14S-6S		
		Recept. w/Pins	MS3102E-14S-6P-ND*	7.84	4.45	3.28	.450	.672	.297	.562	.750	.906	1.188	—	.422	MS3102E-14S-6P		
		Recept. w/Socket	MS3102E-14S-6S-ND*	9.84	5.91	4.60	.450	.672	.297	.562	.750	.906	1.188	—	.422	MS3102E-14S-6S		
		Recept. w/Pins	MS3102R-14S-6P-ND‡	5.49	3.12	2.30	.450	.672	.297	.562	.750	.906	1.188	—	.422	MS3102R-14S-6P		
		Recept. w/Socket	MS3102R-14S-6S-ND‡	9.01	5.12	3.77	.450	.672	.297	.562	.750	.906	1.188	—	.422	MS3102R-14S-6S		
14S-7	3/16	Plug w/Socket	MS3106F-14S-7S-ND†	17.05	11.13	9.34	—	.531	2.201	—	1.021	—	1.123	.406	—	MS3106F-14S-7S		
16S-1	7/16	Plug w/Socket	MS3106A-16S-1S-ND	15.48	10.84	8.05	—	.531	.937	—	—	—	1.250	—	—	MS3106A-16S-1S		
		Plug w/Socket	MS3106F-16S-1S-ND†	23.18	15.13	12.69	—	.531	2.201	—	1.151	—	1.250	.500	—	MS3106F-16S-1S		
		Recept. w/Pins	MS3102E-16S-1P-ND*	8.49	5.10	3.97	.450	.672	.297	.562	.875	.969	1.281	—	.422	MS3102E-16S-1P		
		Recept. w/Pins	MS3102R-16S-1P-ND‡	6.80	3.86	2.85	.450	.672	.297	.562	.875	.969	1.281	—	.422	MS3102R-16S-1P		
16-10	3/12	Plug w/Socket	MS3106A-16-10S-ND	16.53	11.57	8.60	—	.719	1.124	—	—	—	1.250	—	—	MS3106A-16-10S		
		Plug w/Socket	MS3106F-16-10S-ND†	23.00	14.72	13.04	—	.719	2.524	—	1.151	—	1.250	.500	—	MS3106F-16-10S		
16-11	2/12	Recept. w/Pins	MS3102R-16-11P-ND‡	6.83	3.88	2.86	.625	.860	.484	.750	.875	.969	1.281	—	.672	MS3102R-16-11P		
18-1	10/16	Recept. w/Pins	MS3102E-18-1P-ND*	10.20	6.12	4.76	.625	.891	.453	.750	1.000	1.062	1.375	—	.641§	MS3102E-18-1P		
		Recept. w/Pins	MS3102R-18-1P-ND‡	10.14	6.09	4.74	.625	.891	.453	.750	1.000	1.062	1.375	—	.641§	MS3102R-18-1P		
		Plug w/Socket	MS3106A-18-1S-ND	18.12	11.83	9.92	—	.719	1.219	—	—	—	1.333	—	—	MS3106A-18-1S		
18-11	5/12	Recept. w/Pins	MS3102E-18-11P-ND*	8.68	4.93	3.63	.625	.891	.453	.750	1.000	1.062	1.375	—	.641§	MS3102E-18-11P		
20-27	14/16	Recept. w/Pins	MS3102R-20-27P-ND‡	10.80	6.48	5.04	.625	.891	.453	.750	1.125	1.156	1.500	—	.641§	MS3102R-20-27P		
22-14	19/16	Recept. w/Pins	MS3102E-22-14P-ND*	11.43	6.86	5.34	.625	.891	.453	.750	1.250	1.250	1.625	—	.641§	MS3102E-22-14P		
22-19	14/16	Recept. w/Socket	MS3102E-22-19S-ND*	12.00	8.40	6.24	.625	.891	.453	.750	1.250	1.250	1.625	—	.641§	MS3102E-22-19S		
22-22	4/8	Recept. w/Pins	MS3102E-22-22P-ND*	14.90	10.43	7.75	.625	.891	.453	.750	1.250	1.250	1.625	—	.641§	MS3102E-22-22P		
24-11	3/#8 6/#12 3/#8 6/#12	Recept. w/Pins	MS3102R-24-11P-ND‡	11.65	8.16	6.06	.625	.953	.453	.812	1.375	1.375	1.750	—	.578§	MS3102R-24-11P		
		Plug w/Socket	MS3106R-24-11S-ND‡	23.83	15.25	13.51	—	.719	1.291	1.994	1.557	—	1.715	—	—	MS3106R-24-11S		

* Environmental resisting
 † Environmental resisting with strain relief (MS part number only)
 ‡ Lightweight environmental resisting
 § Increase Z dimension by .312 for size "0" contact only.

Amphenol® Accessories For 97 Series Connectors

Cable Clamp
MS3075A Type

For jacketed cable or wires protected by tubing. Both clamping halves float for maximum strain relief. For unjacketed cable or wires, use corresponding MS3420 bushing. Clamp and bushing can be ordered together. Two telescoping bushings are furnished with shell sizes 24 and larger.

Bushing
MS3420 Type

Rubber bushing specifically designed for MS3075A type cable clamp. Can also be used as a reducing bushing. Order separately or with cable clamp.

A

Shell Size	Max. O.D. Cable	Description	Digi-Key Part No.	Price Each			Dimensions in Inches											Amphenol Part No.	
				1	10	50	A	B	C Dia.	D, Internal Thread	E	F	G	L					
10SL, 12S	5/16	Cable Clamp	97-3057-1004-ND	5.76	3.27	2.41	.795	.842	5/16	5/8-24	—	—	—	—	—	—	—	—	97-3057-1004
		Bushing	97-79-513-3-ND	1.12	.67	.44	—	—	—	—	.130	.210	.374	2.875	—	—	—	—	9779-513-3
		Cable Clamp w/Bushing	97-3057-1004-1-ND*	7.00	3.98	2.93	.795	.842	5/16	5/8-24	.220	.302	.500	2.750	—	—	—	—	97-3057-1004-1*
12SL, 14S	7/16	Cable Clamp	97-3057-1007-ND	5.58	3.34	2.18	.850	.995	7/16	3/4-20	—	—	—	—	—	—	—	—	97-3057-1007
		Bushing	97-79-513-6-ND	1.27	.76	.50	—	—	—	—	.312	.427	.614	2.625	—	—	—	—	9779-513-6
		Cable Clamp w/Bushing	97-3057-1007-1-ND	7.07	4.01	2.96	.850	.995	7/16	3/4-20	.312	.427	.614	2.625	—	—	—	—	97-3057-1007-1
16, 16S	9/16	Cable Clamp	97-3057-1008-ND	6.40	3.63	2.68	.920	1.120	9/16	7/8-20	—	—	—	—	—	—	—	—	97-3057-1008-1
		Bushing	97-79-513-8-ND	1.04	.63	.41	—	—	—	—	.437	.552	.739	2.500	—	—	—	—	9779-513-8
		Cable Clamp w/Bushing	97-3057-1008-1-ND	7.47	4.24	3.13	.920	1.120	9/16	7/8-20	.437	.552	.739	2.500	—	—	—	—	97-3057-1008-1
18	5/8	Cable Clamp	97-3057-1010-ND	5.43	3.08	2.27	.920	1.216	5/8	1-20	—	—	—	—	—	—	—	—	97-3057-1010
		Bushing	97-79-513-10-ND	1.12	.67	.44	—	—	—	—	.562	.615	.889	2.375	—	—	—	—	9779-513-10
		Cable Clamp w/Bushing	97-3057-1010-1-ND	6.37	3.61	2.66	.920	1.216	5/8	1-20	.562	.615	.889	2.375	—	—	—	—	97-3057-1010-1
20, 22	3/4	Cable Clamp	97-3057-1012-ND	5.43	3.08	2.27	.927	1.403	3/4	1-3/16-18	—	—	—	—	—	—	—	—	97-3057-1012
		Bushing	97-79-513-12-ND	1.23	.74	.48	—	—	—	—	.625	.740	1.084	2.250	—	—	—	—	9779-513-12
		Cable Clamp w/Bushing	97-3057-1012-1-ND	6.50	3.69	2.72	.927	1.403	3/4	1-3/16-18	.625	.740	1.084	2.250	—	—	—	—	97-3057-1012-1
24, 28	15/16	Cable Clamp	97-3057-1016-ND	5.90	3.35	2.47	1.015	1.683	15/16	1-7/16-18	—	—	—	—	—	—	—	—	97-3057-1016**
		Bushing	97-79-513-12-ND	1.23	.74	.48	—	—	—	—	.625	.740	1.084	2.250	—	—	—	—	9779-513-12
		Cable Clamp w/Bushing	97-3057-1016-1-ND**	8.38	4.75	3.50	1.015	1.683	15/16	1-7/16-18	.750	.927	1.309	2.125	—	—	—	—	9779-513-16

* When Clamp and bushing are ordered together for shell sizes 10SL and 12S, bushing 97-79-513-4 will be furnished.
 **Two telescoping bushings (97-79-513-12 and 97-79-513-16) are furnished with each cable clamp for shell sizes 24 and 28.

97 Series Receptacles

Shell Size	No. of Insert Arrangement	No. of Contacts/Size	Description	Digi-Key Part No.	Price Each			Dimensions in Inches											Amphenol Part No.
					1	10	50	A Coupling Thread	K Ref.	L Max.	L1 Max.	M Ref.	N Ref.	N1 Ref.	O Ref.	R Ref.	S Ref.	V Fitting Thread	
<i>Receptacles With Solid Shells</i>																			
10SL-3	3/16		Cable recept. w/pins	97-3101A-10SL-3P-ND	14.08	8.86	7.32											97-3101A-10SL-3P	
10SL-4	2/16		Box mount recept. w/pins	97-3101A-10SL-4P-ND	13.43	9.40	6.99	5/8-24	5/64	1-9/32	61/64	9/16	3/4	11/16	.812	23/32	1	5/8-24	
			Cable recept. w/pins	97-3102A-10SL-4P-ND	8.91	5.35	4.16												
12S-3	2/16		Box mount recept. w/pins	97-3102A-12S-3P-ND	8.27	4.70	3.46	3/4-20	5/64	1-15/32	31/32	9/16	25/32	11/16	.812	13/16	1-3/32	5/8-24	
			Box mount recept. w/socket	97-3102A-12S-3S-ND	8.88	5.04	3.71												
14S-1	3/16		Wall mount recept. w/pins	97-3100A-14S-1P-ND	12.00	8.40	6.24											97-3100A-14S-1P	
			Wall mount recept. w/socket	97-3100A-14S-1S-ND	12.30	8.61	6.40											97-3100A-14S-1S	
			Cable recept. w/pins	97-3101A-14S-1P-ND	14.78	10.35	7.69											97-3101A-14S-1P	
			Cable recept. w/socket	97-3101A-14S-1S-ND	15.00	10.50	7.80											97-3101A-14S-1S	
14S-2	4/16		Wall mount recept. w/pins	97-3100A-14S-2P-ND	13.35	9.35	6.95											97-3100A-14S-2P	
			Wall mount recept. w/socket	97-3100A-14S-2S-ND	12.58	8.81	6.54											97-3100A-14S-2S	
			Cable recept. w/pins	97-3101A-14S-2P-ND	14.70	10.29	7.65											97-3101A-14S-2P	
			Cable recept. w/socket	97-3101A-14S-2S-ND	15.55	10.89	8.09											97-3101A-14S-2S	
14S-5	5/16		Wall mount recept. w/pins	97-3100A-14S-5P-ND	13.35	9.35	6.95	7/8-20	5/64	1-15/32	61/64	9/16	7/8	3/4	.938	29/32	1-3/16	3/4-20	
			Wall mount recept. w/socket	97-3100A-14S-5S-ND	12.03	8.42	6.26											97-3100A-14S-5S	
			Cable recept. w/pins	97-3101A-14S-5P-ND	15.85	11.10	8.25											97-3101A-14S-5P	
			Cable recept. w/socket	97-3101A-14S-5S-ND	16.55	11.59	8.61											97-3101A-14S-5S	
14S-6	6/16		Wall mount recept. w/pins	97-3100A-14S-6P-ND	12.03	8.42	6.26											97-3100A-14S-6P	
			Wall mount recept. w/socket	97-3100A-14S-6S-ND	13.83	9.68	7.19											97-3100A-14S-6S	
			Cable recept. w/pins	97-3101A-14S-6P-ND	16.55	11.59	8.61											97-3101A-14S-6P	
			Cable recept. w/socket	97-3101A-14S-6S-ND	16.93	11.85	8.81											97-3101A-14S-6S	
16S-1	7/16		Box mount recept. w/pins	97-3102A-16S-1P-ND	11.67	7.01	5.45										97-3102A-16S-1P		
16S-8	5/16		Box mount recept. w/socket	97-3102A-16S-1S-ND	11.88	7.13	5.55	1-20	5/64	1-15/32	61/64	9/16	1	7/8	1.062	31/32	1-9/32	7/8-20	
			Box mount recept. w/pins	97-3102A-16S-8P-ND	11.52	6.92	5.38											97-3102A-16S-8P	
18-1	10/16		Box mount recept. w/pins	97-3102A-18-1P-ND	13.25	9.28	6.89											97-3102A-18-1P	
			Box mount recept. w/socket	97-3102A-18-1S-ND	12.78	8.95	6.65											97-3102A-18-1S	
18-4	4/16		Box mount recept. w/pins	97-3102A-18-4P-ND	11.52	6.92	5.38											97-3102A-18-4P	
			Box mount recept. w/socket	97-3102A-18-4S-ND	10.40	7.28	5.41											97-3102A-18-4S	
18-8	4/16#12, 4/7#16		Box mount recept. w/pins	97-3102A-18-8P-ND	13.25	9.28	6.89											97-3102A-18-8P	
			Box mount recept. w/socket	97-3102A-18-8S-ND	14.48	10.14	7.53											97-3102A-18-8S	
18-10	4/12		Box mount recept. w/pins	97-3102A-18-10P-ND	12.30	8.61	6.40											97-3102A-18-10P	
			Box mount recept. w/socket	97-3102A-18-10S-ND	14.48	10.14	7.53	1-1/8-18	1/8	1-63/64	1-3/8	3/4	1-1/8	1	1.188	1-1/16	1-3/8	1-20	
18-11	5/12		Box mount recept. w/pins	97-3102A-18-11P-ND	12.30	8.61	6.40											97-3102A-18-11P	
			Box mount recept. w/socket	97-3102A-18-11S-ND	11.53	8.07	6.00											97-3102A-18-11S	
18-12	6/16		Box mount recept. w/pins	97-3102A-18-12P-ND	11.20	7.84	5.83											97-3102A-18-12P	
			Box mount recept. w/socket	97-3102A-18-12S-ND	10.70	7.49	5.57											97-3102A-18-12S	
18-16	1/12		Box mount recept. w/pins	97-3102A-18-16P-ND	11.73	8.21	6.10											97-3102A-18-16P	
			Box mount recept. w/socket	97-3102A-18-16S-ND	15.00	10.50	7.80											97-3102A-18-16S	
18-19	10/16		Box mount recept. w/pins	97-3102A-18-19P-ND	19.07	12.45	10.44											97-3102A-18-19P	
			Box mount recept. w/socket	97-3102A-18-19S-ND	13.05	9.14	6.79											97-3102A-18-19S	
20-4	4/12		Box mount recept. w/pins	97-3102A-20-4P-ND	12.00	8.40	6.24											97-3102A-20-4P	
			Box mount recept. w/socket	97-3102A-20-4S-ND	14.78	10.35	7.69											97-3102A-20-4S	
20-7	8/16		Box mount recept. w/pins	97-3102A-20-7P-ND	12.00	8.40	6.24											97-3102A-20-7P	
			Box mount recept. w/socket	97-3102A-20-7S-ND	13.83	9.68	7.19											97-3102A-20-7S	
20-15	7/12		Box mount recept. w/pins	97-3102A-20-15P-ND	16.05	11.24	8.35											97-3102A-20-15P	
			Box mount recept. w/socket	97-3102A-20-15S-ND	20.66	13.49	11.31	1-1/4-18	1/8	1-57/64	1-3/8	3/4	1-1/4	1-1/8	1.312	1-5/32	1-1/2	1-3/16-18	
20-16	9/2#12, 9/7#16		Box mount recept. w/pins	97-3															