

MDR706F

1.9GHz PHS Inter stage BPF

Characteristics

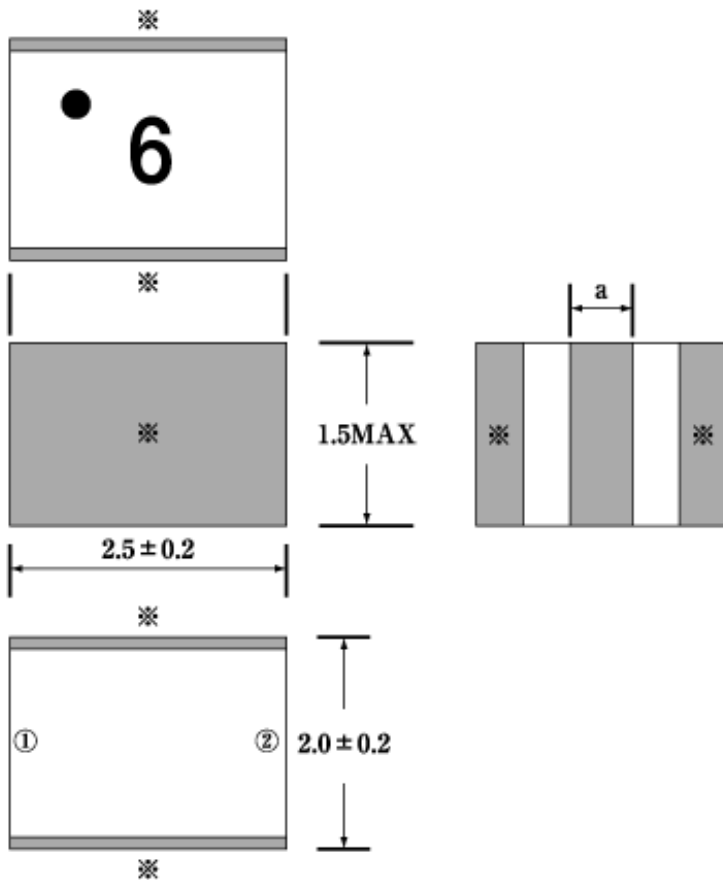
MDR706F	
Zin/Zout	50 ohm Nominal
Fc	1907MHz Nominal
Pass Band	1893-1919MHz
Insertion Loss	2.5 dB max (1893-1919MHz at 25 Deg.C)
	2.8 dB max (1893-1919MHz at -40 up to +85 Deg.C)
Ripple	0.5 dB max (1893-1919MHz)
V.S.W.R	2.0 max (1893-1919MHz)
Attenuation	40 dB min (at 1660MHz)
	15 dB min (at 2139MHz)

Number of ordered pieces

2000pcs/Reel

Dimensions

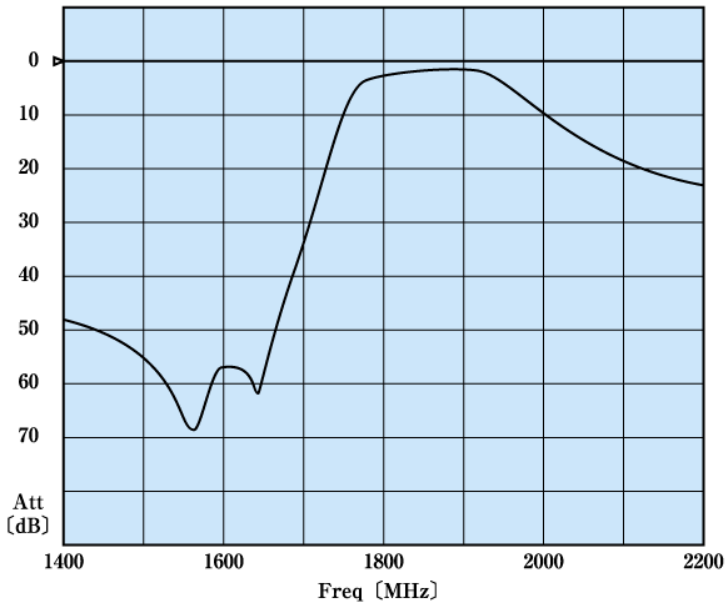
Dimension (Unit : mm)



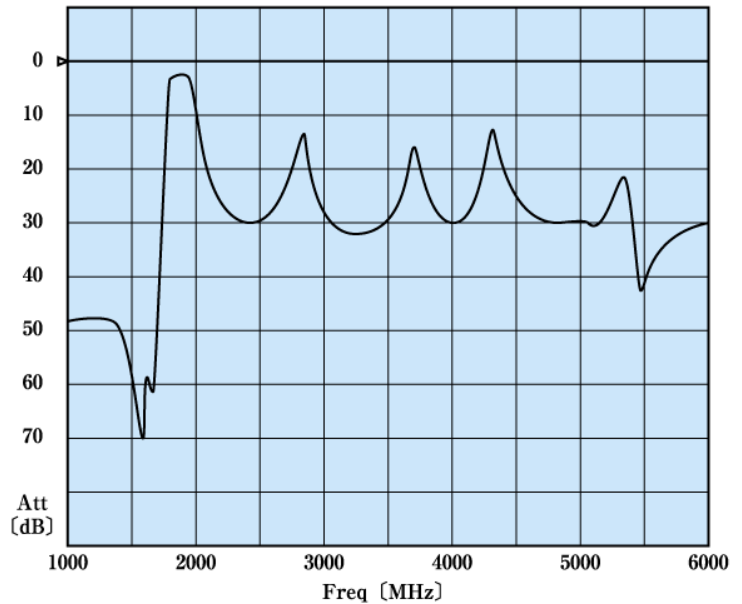
Terminal	
①	Input
②	Output
※	GND

$a = 0.5 \pm 0.2$

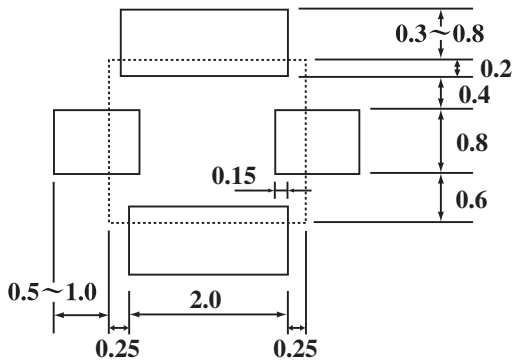
Frequency Data1



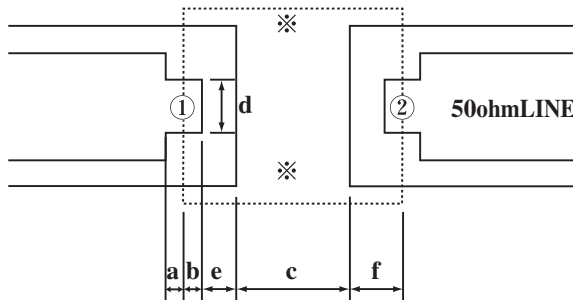
Frequency Data2



Resist pattern



Land pattern



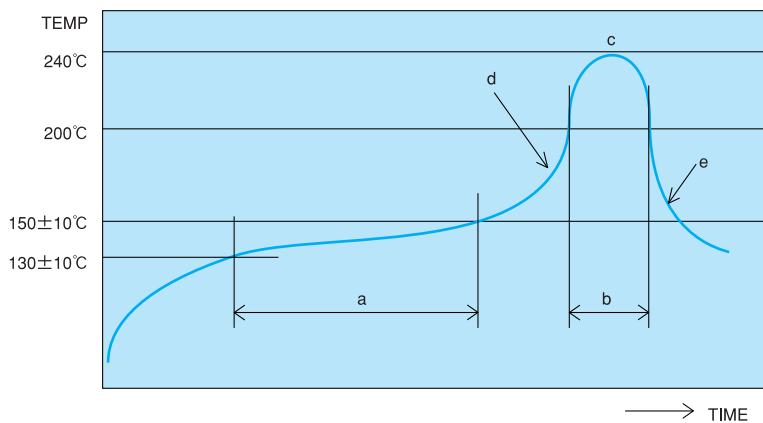
Terminal	
①	Input
②	Output
※	GND

Example : t=1.0mm

**Glass-epoxy board
Glass-fluorine board
(High Frequency)**

- a=0.2**
- b=0.2**
- c=1.3**
- d=0.6**
- e=0.4**
- f=0.6**
- (Unit : mm)**

Reflow-soldering conditions(For reference)

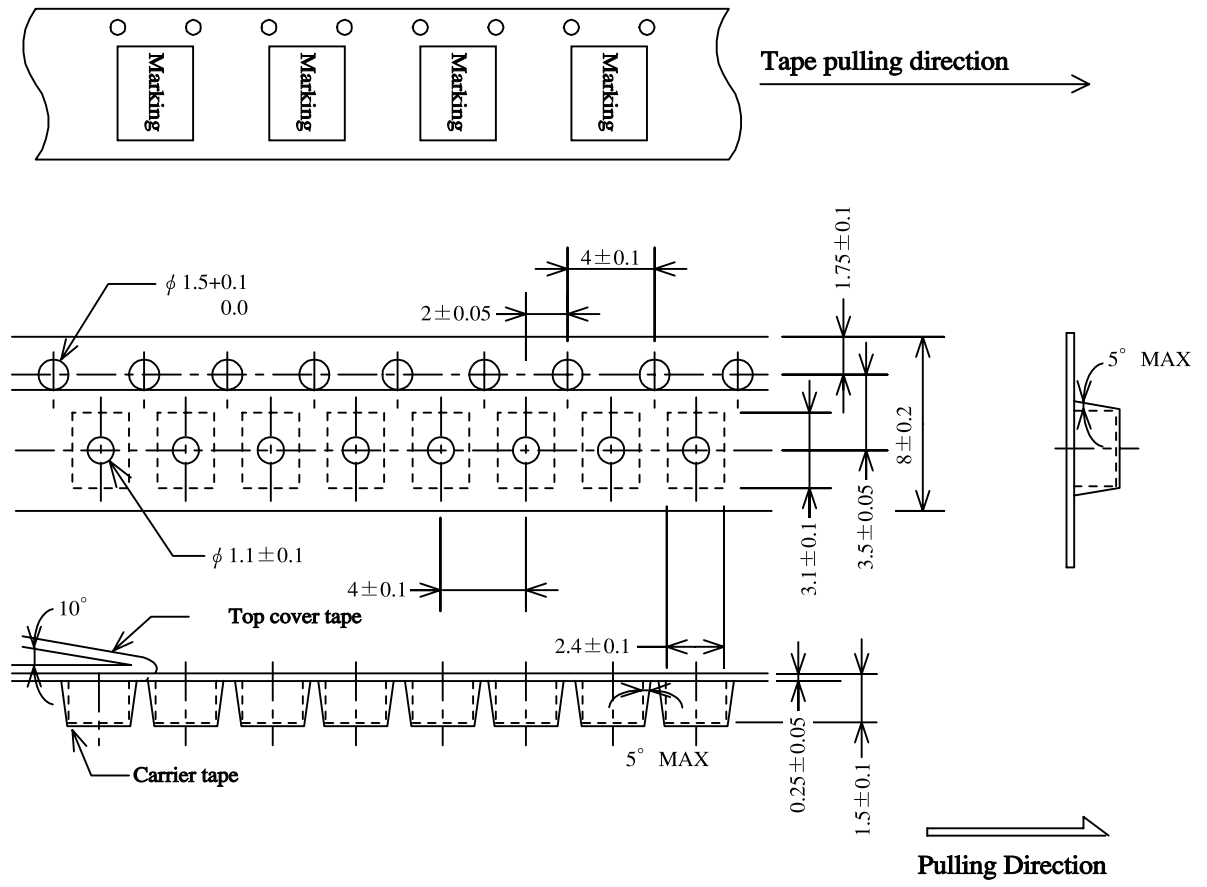


High temperature reflow-soldering conditions

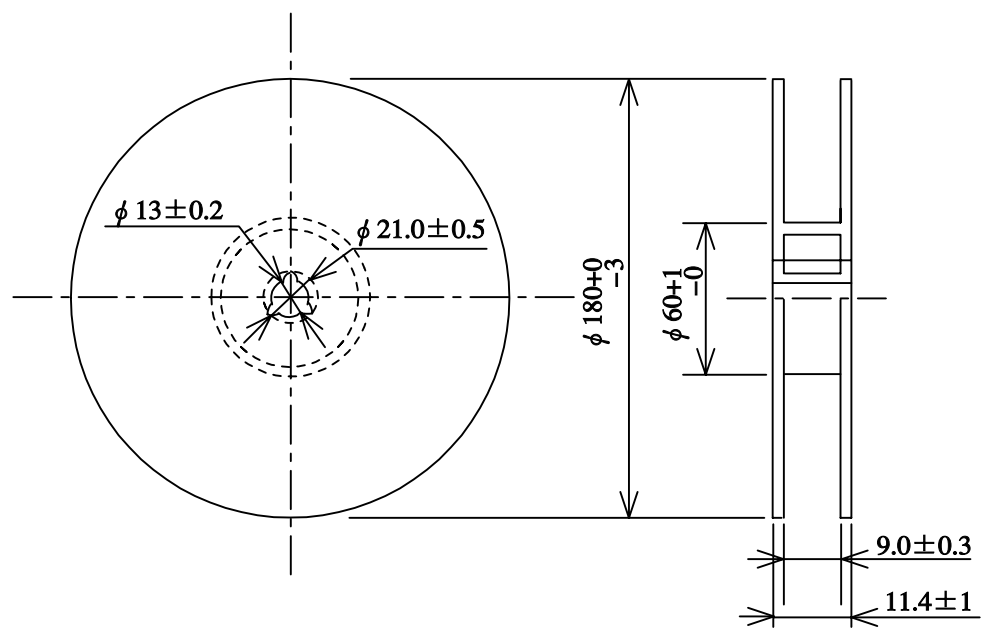
(No more than 2 flows allowed)

- a:Preheating 40 to 120 seconds
- b:Heating 50 seconds
- c:Peak temperature 240°C,max.
- d:Temperature rising slope 10°C/1 second,max.
- e:Temperature falling slope 8°C/1 second,max.

Taping Dimensions (Unit:mm)



Reel Dimensions (Unit:mm)



(2,000pcs/reel)