

PLEASE CHECK WWW.MOLEX.COM FOR LATEST PART INFORMATION

Part Number: [0705510010](#)
Status: **Active**
Overview: [cgrid_sl_products](#)
Description: 2.54mm (.100") Pitch SL™ Header, Single Row, Right Angle, .120" Pocket, Shrouded, with Beveled Plastic Peg, 11 Circuits, Tin (Sn) Plating

Documents:

| | |
|---|--|
| 3D Model | Product Specification PS-70400 (PDF) |
| Drawing (PDF) | Product Specification PS-70541 (PDF) |
| Packaging Specification (PDF) | RoHS Certificate of Compliance (PDF) |

Agency Certification

| | |
|-----|---------|
| CSA | LR19980 |
| UL | E29179 |

General

| | |
|----------------|-----------------------------------|
| Product Family | PCB Headers |
| Series | 70551 |
| Application | Wire-to-Board |
| Overview | cgrid_sl_products |
| Product Name | SL™ |

Physical

| | |
|--------------------------------|--------------------------------|
| Breakaway | No |
| Circuits (Loaded) | 11 |
| Circuits (maximum) | 11 |
| Color - Resin | Black |
| Durability (mating cycles max) | 25 |
| First Mate / Last Break | No |
| Flammability | 94V-0 |
| Glow-Wire Compliant | No |
| Guide to Mating Part | No |
| Keying to Mating Part | None |
| Lock to Mating Part | Yes |
| Material - Metal | Brass, Phosphor Bronze |
| Material - Plating Mating | Tin |
| Material - Plating Termination | Tin |
| Material - Resin | High Temperature Thermoplastic |
| Number of Rows | 1 |
| Orientation | Right Angle |
| PC Tail Length (in) | 0.130 In |
| PC Tail Length (mm) | 3.30 mm |
| PCB Locator | Yes |
| PCB Retention | Yes |
| PCB Thickness Recommended (in) | 0.062 In |
| PCB Thickness Recommended (mm) | 1.60 mm |
| Packaging Type | Tube |
| Pitch - Mating Interface (in) | 0.100 In |
| Pitch - Mating Interface (mm) | 2.54 mm |
| Plating min: Mating (µin) | 150 |
| Plating min: Mating (µm) | 3.75 |
| Plating min: Termination (µin) | 150 |
| Plating min: Termination (µm) | 3.75 |
| Polarized to Mating Part | Yes |
| Shrouded | Fully |
| Stackable | No |

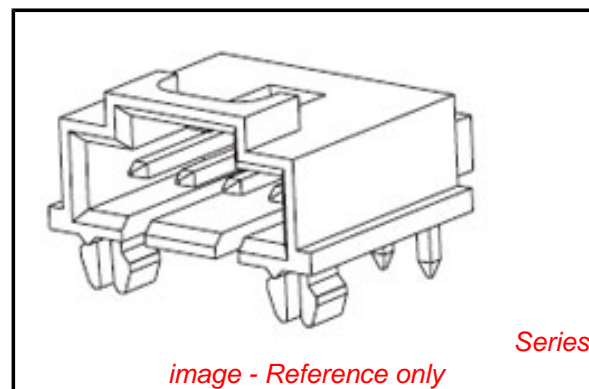


image - Reference only

EU RoHS

ELV and RoHS Compliant
REACH SVHC
 Not Reviewed
Halogen-Free Status
Not Reviewed

China RoHS



Need more information on product environmental compliance?

Email productcompliance@molex.com
 For a multiple part number RoHS Certificate of Compliance, [click here](#)

Please visit the [Contact Us](#) section for any non-product compliance questions.

Search Parts in this Series

[70551Series](#)

Mates With

SL™ Crimp Housing [70066](#) , [70430](#) , [70400](#)

Temperature Range - Operating -40°C to +105°C
Termination Interface: Style Through Hole

Electrical

Current - Maximum per Contact 3A
Voltage - Maximum 250V

Solder Process Data

Duration at Max. Process Temperature (seconds) 40
Lead-free Process Capability Wave Capable (TH only)
Max. Cycles at Max. Process Temperature 3
Process Temperature max. C 245

Material Info

Reference - Drawing Numbers

Packaging Specification PK-70873-0015
Product Specification PS-70400, PS-70541
Sales Drawing SDA-70551-****

This document was generated on 05/27/2010

PLEASE CHECK WWW.MOLEX.COM FOR LATEST PART INFORMATION



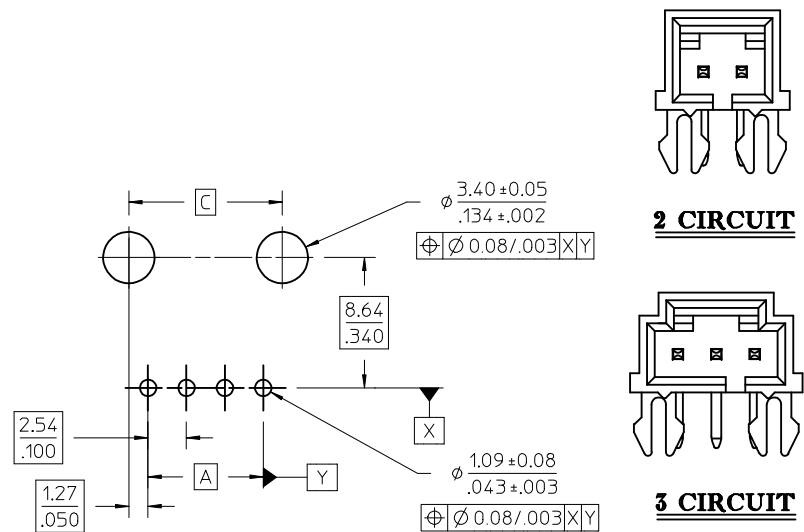
**ALTERNATIVE CORING
MANUFACTURER'S OPTION**

| CKT. SIZE | DIM. "A" | | DIM. "B" | | DIM. "C" | | DIM. "Z" | |
|-----------|----------|-------|----------|-------|----------|-------|----------|-------|
| | MM | IN. | MM | IN. | MM | IN. | MM | IN. |
| 2 | 2.54 | .100 | 5.33 | .210 | 5.08 | .200 | 8.64 | .340 |
| 3 | 5.08 | .200 | 8.13 | .320 | 7.62 | .300 | 11.43 | .450 |
| 4 | 7.62 | .300 | 10.67 | .420 | 10.16 | .400 | 13.97 | .550 |
| 5 | 10.16 | .400 | 13.21 | .520 | 12.70 | .500 | 16.51 | .650 |
| 6 | 12.70 | .500 | 15.75 | .620 | 15.24 | .600 | 19.05 | .750 |
| 7 | 15.24 | .600 | 18.29 | .720 | 17.78 | .700 | 21.59 | .850 |
| 8 | 17.78 | .700 | 20.83 | .820 | 20.32 | .800 | 24.13 | .950 |
| 9 | 20.32 | .800 | 23.37 | .920 | 22.86 | .900 | 26.67 | 1.050 |
| 10 | 22.86 | .900 | 25.91 | 1.020 | 25.40 | 1.000 | 29.21 | 1.150 |
| 11 | 25.40 | 1.000 | 28.45 | 1.120 | 27.94 | 1.100 | 31.75 | 1.250 |
| 12 | 27.94 | 1.100 | 30.99 | 1.220 | 30.48 | 1.200 | 34.29 | 1.350 |
| 13 | 30.48 | 1.200 | 33.53 | 1.320 | 33.02 | 1.300 | 36.83 | 1.450 |
| 14 | 33.02 | 1.300 | 36.07 | 1.420 | 35.56 | 1.400 | 39.37 | 1.550 |
| 15 | 35.56 | 1.400 | 38.61 | 1.520 | 38.10 | 1.500 | 41.91 | 1.650 |
| 16 | 38.10 | 1.500 | 41.15 | 1.620 | 40.64 | 1.600 | 44.45 | 1.750 |
| 17 | 40.64 | 1.600 | 43.69 | 1.720 | 43.18 | 1.700 | 46.99 | 1.850 |
| 18 | 43.18 | 1.700 | 46.23 | 1.820 | 45.72 | 1.800 | 49.53 | 1.950 |
| 19 | 45.72 | 1.800 | 48.77 | 1.920 | 48.26 | 1.900 | 52.07 | 2.050 |
| 20 | 48.26 | 1.900 | 51.31 | 2.020 | 50.80 | 2.000 | 54.61 | 2.150 |
| 21 | 50.80 | 2.000 | 53.85 | 2.120 | 53.34 | 2.100 | 57.15 | 2.250 |
| 22 | 53.34 | 2.100 | 56.39 | 2.220 | 55.88 | 2.200 | 59.69 | 2.350 |
| 23 | 55.88 | 2.200 | 58.93 | 2.320 | 58.42 | 2.300 | 62.23 | 2.450 |
| 24 | 58.42 | 2.300 | 61.47 | 2.420 | 60.96 | 2.400 | 64.77 | 2.650 |
| 25 | 60.96 | 2.400 | 64.01 | 2.520 | 63.50 | 2.500 | 67.31 | 2.750 |



- NOTES:
 1. MATERIAL:
 HOUSING: GLASS FILLED POLYESTER; UL94V-0
 COLOR: BLACK
 PIN MATERIAL: PHOSPHOR BRONZE
 2. HEADER TO BE USED WITH OPTION "G" 70400 AND 70430 SERIES SL CONNECTORS
 3. REFER TO MOLEX PRODUCT SPECIFICATION PS-70541
 4. STANDARD PACKAGING PER PK-70873-0015
 5. DIMENSIONS WITHOUT TOLERANCE ARE SHOWN FOR REFERENCE ONLY
 6. MEASURE POINT FOR PLATING THICKNESS

- PLATING CODES:
 TIN - 3.81 MICROMETERS/15 MICROINCHES MINIMUM BRIGHT TIN PLATE
 OVER 1.27 MICROMETERS/50 MICROINCHES MINIMUM NICKEL PLATE
 15 GOLD - 0.38 MICROMETERS/15 MICROINCHES MINIMUM GOLD PLATE IN SELECT AREA
 1.91 MICROMETERS/75 MICROINCHES MINIMUM MATTE TIN PLATE IN SELECT AREA
 OVER 1.27 MICROMETERS/50 MICROINCHES MINIMUM NICKEL PLATE OVERALL
 30 GOLD - 0.76 MICROMETERS/15 MICROINCHES MINIMUM GOLD PLATE IN SELECT AREA
 1.91 MICROMETERS/75 MICROINCHES MINIMUM MATTE TIN PLATE IN SELECT AREA
 OVER 1.27 MICROMETERS/50 MICROINCHES MINIMUM NICKEL PLATE OVERALL



RECOMMENDED P.C. BOARD LAYOUT
 (FOR USE WITH (1.57)/.062 THICK BOARD)

| | | | | | | | | | |
|---|-------------------------------|--|-----------------------|--------------------------|--------------------|---|----------------------|--------------------------------|---------------------|
| ADD DIMENSION "Z" EC NO: UCP2010-1081 DRW:MSI BARRA 2009/10/26 CHKD: 2009/11/09 APPR:SWILLER 2009/11/09 | QUALITY SYMBOLS ▽=0 ▽=0 | GENERAL TOLERANCES (UNLESS SPECIFIED) | | DIMENSION STYLE MM/IN | | SCALE INCH | DESIGN UNITS INCH | THIRD ANGLE PROJECTION | |
| | | 4 PLACES ± --- ± --- | 3 PLACES ± --- ± .005 | DRAWN BY AAB | DATE 1993/05/13 | TITLE SL RIGHT ANGLE HEADER W/LATCH & SPLIT PEGS (2.54)/.100 CENTERS | | | |
| | | 2 PLACES ± 0.13 ± .010 | 1 PLACE ± 0.25 ± --- | CHECKED BY AAB | DATE 1993/05/13 | MOLEX INCORPORATED | | | |
| | | ANGULAR ± 1/2° | | APPROVED BY WAZ | DATE 1993/05/13 | MATERIAL NO. SEE TABLE | | DOCUMENT NO. SDA-70551-**** | SHEET NO. 1 OF 2 |
| DRAFT WHERE APPLICABLE MUST REMAIN WITHIN DIMENSIONS | | THIS DRAWING CONTAINS INFORMATION THAT IS PROPRIETARY TO MOLEX INCORPORATED AND SHOULD NOT BE USED WITHOUT WRITTEN PERMISSION | | | | | | | |

| 13 | | 12 | | 11 | | 10 | | 9 | | 8 | | 7 | | 6 | | 5 | | 4 | | 3 | | 2 | | 1 | |
|--------------------------------|----------------------------------|----|--|----|--|------|--|----------------|----------------|------|--|-----------------------|----------------|---|--|------------------------|----------------|---|--|---|--|---|--|---|--|
| ENGINEERING NUMBER A-7055 I | MANUFACTURE RELEASE STATUS | | | | | | | | | | | CONNECTOR END PLATING | | | | P.C. BOARD END PLATING | | | | | | | | | |
| | | D | | E | | TYPE | | H MEAS. | | TYPE | | K MEAS. | | | | | | | | | | | | | |
| -0001-0024 | R.F.M. | | | | | | | (3.30) .130 | (6.10) .240 | | | TIN | (2.54) .100 | | | TIN | (1.27) .050 | | | | | | | | |
| -0036-0059 | R.F.M. | | | | | | | (3.30) .130 | (6.10) .240 | | | 15 GOLD | (2.54) .100 | | | TIN | (1.27) .050 | | | | | | | | |
| -0071-0094 | R.F.M. | | | | | | | (3.30) .130 | (6.10) .240 | | | 30 GOLD | (2.54) .100 | | | TIN | (1.27) .050 | | | | | | | | |

| CKTS | ITEM NUMBER | ITEM NUMBER | ITEM NUMBER | ITEM NUMBER | ITEM NUMBER | ITEM NUMBER | ITEM NUMBER | ITEM NUMBER | ITEM NUMBER | CKTS |
|------|-------------|-------------|-------------|-------------|-------------|-------------|-------------|-------------|-------------|------|
| 02 | 705-51-0001 | 705-51-0036 | 705-51-0071 | | | | | | | 02 |
| 03 | 705-51-0002 | 705-51-0037 | 705-51-0072 | | | | | | | 03 |
| 04 | 705-51-0003 | 705-51-0038 | 705-51-0073 | | | | | | | 04 |
| 05 | 705-51-0004 | 705-51-0039 | 705-51-0074 | | | | | | | 05 |
| 06 | 705-51-0005 | 705-51-0040 | 705-51-0075 | | | | | | | 06 |
| 07 | 705-51-0006 | 705-51-0041 | 705-51-0076 | | | | | | | 07 |
| 08 | 705-51-0007 | 705-51-0042 | 705-51-0077 | | | | | | | 08 |
| 09 | 705-51-0008 | 705-51-0043 | 705-51-0078 | | | | | | | 09 |
| 10 | 705-51-0009 | 705-51-0044 | 705-51-0079 | | | | | | | 10 |
| 11 | 705-51-0010 | 705-51-0045 | 705-51-0080 | | | | | | | 11 |
| 12 | 705-51-0011 | 705-51-0046 | 705-51-0081 | | | | | | | 12 |
| 13 | 705-51-0012 | 705-51-0047 | 705-51-0082 | | | | | | | 13 |
| 14 | 705-51-0013 | 705-51-0048 | 705-51-0083 | | | | | | | 14 |
| 15 | 705-51-0014 | 705-51-0049 | 705-51-0084 | | | | | | | 15 |
| 16 | 705-51-0015 | 705-51-0050 | 705-51-0085 | | | | | | | 16 |
| 17 | 705-51-0016 | 705-51-0051 | 705-51-0086 | | | | | | | 17 |
| 18 | 705-51-0017 | 705-51-0052 | 705-51-0087 | | | | | | | 18 |
| 19 | 705-51-0018 | 705-51-0053 | 705-51-0088 | | | | | | | 19 |
| 20 | 705-51-0019 | 705-51-0054 | 705-51-0089 | | | | | | | 20 |
| 21 | 705-51-0020 | 705-51-0055 | 705-51-0090 | | | | | | | 21 |
| 22 | 705-51-0021 | 705-51-0056 | 705-51-0091 | | | | | | | 22 |
| 23 | 705-51-0022 | 705-51-0057 | 705-51-0092 | | | | | | | 23 |
| 24 | 705-51-0023 | 705-51-0058 | 705-51-0093 | | | | | | | 24 |
| 25 | 705-51-0024 | 705-51-0059 | 705-51-0094 | | | | | | | 25 |

| | | | | | | | | | | | | | | | | | | |
|--|------------------|--|----------|--------|--------|----------|--------|--------|----------|--------|--------|---------|--------|--------|-----------------|-------|--------------|------------------------|
| SEE SHEET 1 EC NO: UCP2010-1081 DRWNGS BARRA 2009/10/26 CHKD: 2009/11/09 APPR: MILLER 2009/11/09 REV DESCRIPTION | QUALITY SYMBOLS | GENERAL TOLERANCES (UNLESS SPECIFIED) <table border="1"> <tr><td>4 PLACES</td><td>± .005</td><td>± .005</td></tr> <tr><td>3 PLACES</td><td>± .010</td><td>± .010</td></tr> <tr><td>2 PLACES</td><td>± .015</td><td>± .015</td></tr> <tr><td>1 PLACE</td><td>± .025</td><td>± .025</td></tr> </table> ANGULAR ±1/2° | 4 PLACES | ± .005 | ± .005 | 3 PLACES | ± .010 | ± .010 | 2 PLACES | ± .015 | ± .015 | 1 PLACE | ± .025 | ± .025 | DIMENSION STYLE | SCALE | DESIGN UNITS | THIRD ANGLE PROJECTION |
| | 4 PLACES | | ± .005 | ± .005 | | | | | | | | | | | | | | |
| | 3 PLACES | | ± .010 | ± .010 | | | | | | | | | | | | | | |
| | 2 PLACES | | ± .015 | ± .015 | | | | | | | | | | | | | | |
| | 1 PLACE | | ± .025 | ± .025 | | | | | | | | | | | | | | |
| | MM/IN | 4:1 | INCH | | | | | | | | | | | | | | | |
| | DRAWN BY DATE | TITLE | | | | | | | | | | | | | | | | |
| | AAB 1993/05/13 | SL RIGHT ANGLE HEADER W/LATCH & SPLIT PEGS (2.54)/.100 CENTERS | | | | | | | | | | | | | | | | |
| | CHECKED BY DATE | MOLEX MOLEX INCORPORATED | | | | | | | | | | | | | | | | |
| | AAB 1993/05/13 | SDA-70551-**** | | | | | | | | | | | | | | | | |
| | APPROVED BY DATE | SHEET NO. | | | | | | | | | | | | | | | | |
| | WAZ 1993/05/13 | 2 OF 2 | | | | | | | | | | | | | | | | |
| | MATERIAL NO. | THIS DRAWING CONTAINS INFORMATION THAT IS PROPRIETARY TO MOLEX INCORPORATED AND SHOULD NOT BE USED WITHOUT WRITTEN PERMISSION | | | | | | | | | | | | | | | | |
| | SEE TABLE | | | | | | | | | | | | | | | | | |