

PLEASE CHECK WWW.MOLEX.COM FOR LATEST PART INFORMATION

Part Number: [0015453134](#)
Status: **Active**
Overview: [cgrid_sl_products](#)
Description: 2.54mm (.100") Pitch C-Grid® PCB Connector, Surface Mount, High Profile, Dual Row, Vertical, 34 Circuits

Documents:

[3D Model](#) [Product Specification PS-71395 \(PDF\)](#)
[Drawing \(PDF\)](#) [RoHS Certificate of Compliance \(PDF\)](#)

Agency Certification

CSA E29179
 UL E29179

General

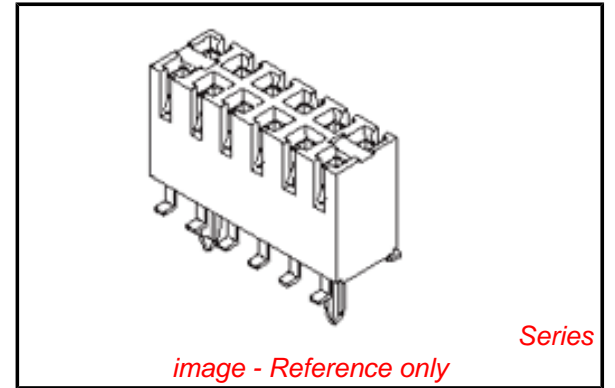
Product Family PCB Receptacles
 Series [71395](#)
 Application Board-to-Board
 Overview [cgrid_sl_products](#)
 Product Name C-Grid®

Physical

Circuits (Loaded) 34
 Color - Resin Black
 Durability (mating cycles max) 50
 Flammability 94V-0
 Glow-Wire Compliant No
 Guide to Mating Part No
 Keying to Mating Part None
 Lock to Mating Part No
 Material - Metal Phosphor Bronze
 Material - Plating Mating Gold
 Material - Plating Termination Tin
 Material - Resin High Temperature Thermoplastic
 Number of Rows 2
 Orientation Vertical
 PC Tail Length (in) 0.058 In
 PC Tail Length (mm) 1.47 mm
 PCB Locator Yes
 PCB Retention None
 Packaging Type Tray
 Pitch - Mating Interface (in) 0.100 In
 Pitch - Mating Interface (mm) 2.54 mm
 Plating min: Mating (µin) 15
 Plating min: Mating (µm) 0.375
 Plating min: Termination (µin) 75
 Plating min: Termination (µm) 1.875
 Polarized to PCB No
 Surface Mount Compatible (SMC) N/A
 Temperature Range - Operating -40°C to +105°C
 Termination Interface: Style Surface Mount

Electrical

Current - Maximum per Contact 2.5A
 Grounding to PCB No
 Voltage - Maximum 250V



EU RoHS

ELV and RoHS Compliant
REACH SVHC
 Not Reviewed
Halogen-Free Status
Not Reviewed

China RoHS



Need more information on product environmental compliance?

Email productcompliance@molex.com
 For a multiple part number RoHS Certificate of Compliance, [click here](#)

Please visit the [Contact Us](#) section for any non-product compliance questions.

Search Parts in this Series

[71395Series](#)

Mates With

[8624](#) C-Grid® Breakaway Header, [70246](#) Straight Header, [70247](#) Right Angle Header, [70287](#) C-Grid® Header, [70227](#) Dual Row C-Grid® Header, [70567](#) C-Grid® Header, [70280](#) C-Grid® Breakaway Header, [70524](#) C-Grid® Breakaway Header, [Z](#)

Solder Process Data

Lead-free Process Capability
Process Temperature max. C

Reflow Capable (SMT only)
260

Material Info

Old Part Number

71395-1134

Reference - Drawing Numbers

Application Specification

AS-71395-001

Packaging Specification

PK-70873-0304

Product Specification

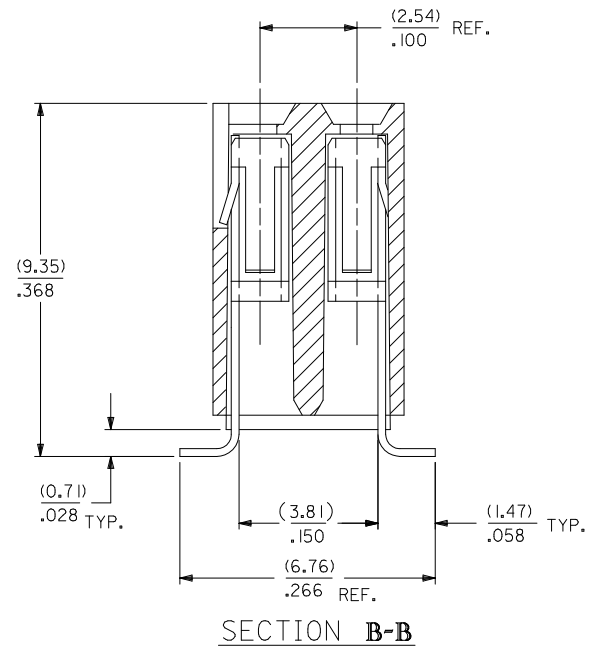
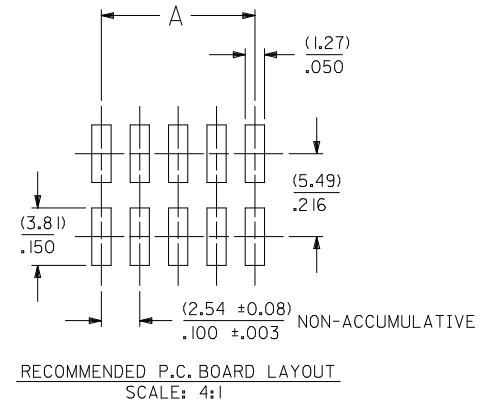
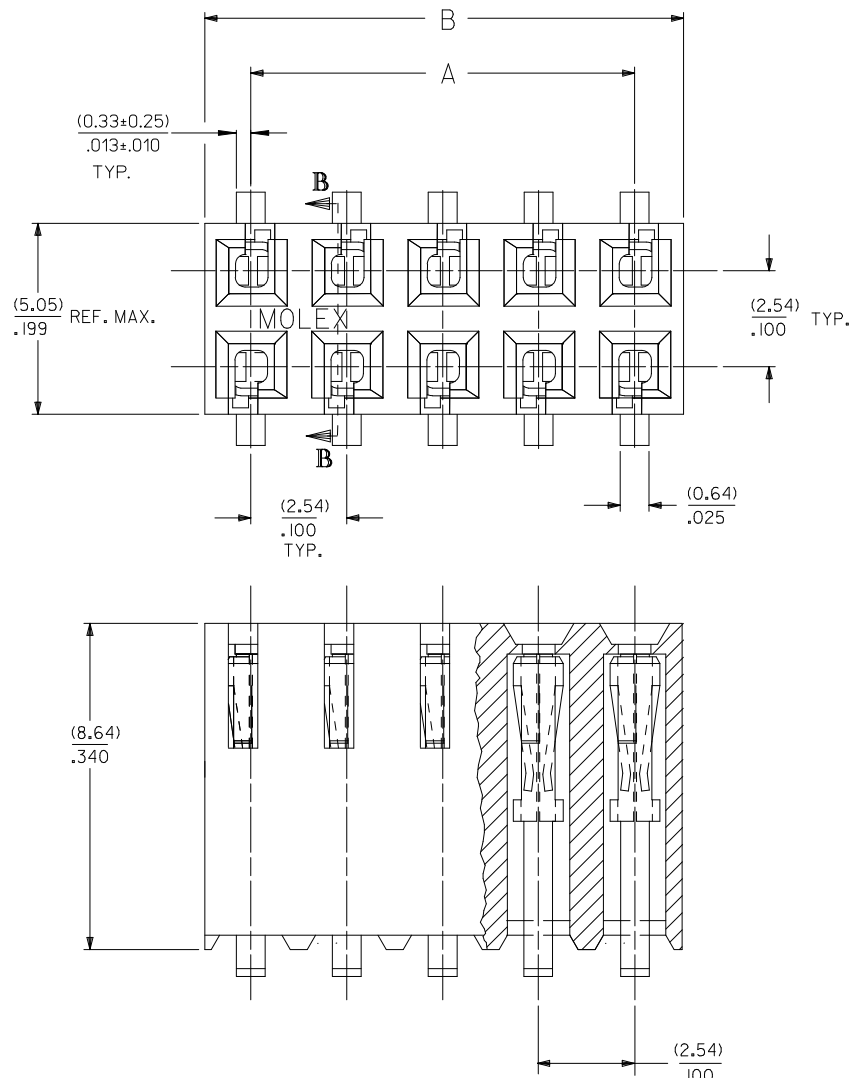
PS-71395

Sales Drawing

SDA-71395-1***

This document was generated on 05/31/2010

PLEASE CHECK WWW.MOLEX.COM FOR LATEST PART INFORMATION



SECTION B-B

- VERSION WITHOUT PCB RETENTION PEGS -

NOTES:

- 1 - HOUSING MATERIAL: GLASS FILLED LCP (LIQUID CRYSTAL POLYMER), UL 94V-0, COLOR: BLACK.
- 2 - TERMINAL MATERIAL: (0.20)/.008 PHOSPHOR BRONZE
- 3 - SEE SHEET 2 FOR CIRCUIT SIZES AND OVER-ALL DIMENSIONS
- 4 - PART CONFORMS TO PS-71395
- 5 - PACKAGING:
FOR TRAY PACK SEE PK-70873-0304.
FOR TAPE AND REEL PACK SEE PK-71395-001.
- 6 - PRODUCT COMPLIES WITH CLASS B OF COSMETIC SPECIFICATION PS-45499-002.

| | | | | | | | | | |
|--|--------------------------------------|---|--|----------------------|------------|--------------------|--------------|--|--|
| ADD 71395-5040 EC NO: UCP2010-1001 DRW:MSI BARRA 2009/10/14 CHKD:DMORGAN 2009/12/01 APPR:SMILLER 2009/12/01 REV N | QUALITY SYMBOLS ▽=0 ▽=0 ▽=0 | GENERAL TOLERANCES (UNLESS SPECIFIED) | | DIMENSION STYLE | | SCALE | DESIGN UNITS | THIRD ANGLE PROJECTION | |
| | | | | MM/IN | | | METRIC | | |
| | | | | mm | INCH | DRAWN BY | DATE | TITLE | |
| | | | | 4 PLACES ± --- ± --- | | CHECKED BY | DATE | CONNECTOR DUAL ROW VERTICAL SURFACE MOUNT TOP ENTRY ON .100 GRID | |
| | | 3 PLACES ± --- ± .010 | | RB | 1985/12/03 | MOLEX INCORPORATED | | | |
| | | 2 PLACES ± 0.25 ± .014 | | APPROVED BY | DATE | | | | |
| | | 1 PLACE ± 0.35 ± --- | | ANGULAR ±1/2° | | MATERIAL NO. | DOCUMENT NO. | SHEET NO. | |
| | | DRAFT WHERE APPLICABLE MUST REMAIN WITHIN DIMENSIONS | | SEE CHART | | SDA-71395-1*** | | 1 OF 3 | |
| | | THIS DRAWING CONTAINS INFORMATION THAT IS PROPRIETARY TO MOLEX INCORPORATED AND SHOULD NOT BE USED WITHOUT WRITTEN PERMISSION | | | | | | | |

- VERSION WITHOUT PCB RETENTION PEGS -

| NO. OF CKTS. | TIN PLATING | | | 15 GOLD PLATING | | | 30 GOLD PLATING | | | DIM. "A" | | DIM. "B" | | |
|--------------|-------------|------------|---------------|-----------------|----------------|---------------|-----------------|----------------|---------------|---------------|----------------|----------|-------|--------|
| | PER ROW | TOTAL | E.D.P. NO. | ENG. NO. | TRAY PACKAGING | E.D.P. NO. | ENG. NO. | TRAY PACKAGING | E.D.P. NO. | ENG. NO. | TRAY PACKAGING | INCH | MM | INCH |
| 2 | 4 | NA | AX-71395-1004 | PK-70873-0304 | NA | AX-71395-1104 | PK-70873-0304 | NA | AX-71395-1204 | PK-70873-0304 | .100 | 2,54 | .199 | 5,05 |
| 3 | 6 | 71395-1006 | A-71395-1006 | PK-70873-0304 | NA | AX-71395-1106 | PK-70873-0304 | NA | AX-71395-1206 | PK-70873-0304 | .200 | 5,08 | .299 | 7,59 |
| 4 | 8 | 15-45-3208 | A-71395-1008 | PK-70873-0304 | 15-45-3108 | A-71395-1108 | PK-70873-0304 | 15-45-3308 | A-71395-1208 | PK-70873-0304 | .300 | 7,62 | .399 | 10,13 |
| 5 | 10 | 15-45-3210 | A-71395-1010 | PK-70873-0304 | 15-45-3110 | A-71395-1110 | PK-70873-0304 | 15-45-3310 | A-71395-1210 | PK-70873-0304 | .400 | 10,16 | .499 | 12,67 |
| 6 | 12 | 15-45-3212 | A-71395-1012 | PK-70873-0304 | 15-45-3112 | A-71395-1112 | PK-70873-0304 | 15-45-3312 | A-71395-1212 | PK-70873-0304 | .500 | 12,70 | .599 | 15,21 |
| 7 | 14 | 15-45-3214 | A-71395-1014 | PK-70873-0304 | 15-45-3114 | A-71395-1114 | PK-70873-0304 | 15-45-3314 | A-71395-1214 | PK-70873-0304 | .600 | 15,24 | .699 | 17,75 |
| 8 | 16 | 15-45-3216 | A-71395-1016 | PK-70873-0304 | 15-45-3116 | A-71395-1116 | PK-70873-0304 | 15-45-3316 | A-71395-1216 | PK-70873-0304 | .700 | 17,78 | .799 | 20,29 |
| 9 | 18 | 15-45-3218 | A-71395-1018 | PK-70873-0304 | 15-45-3118 | A-71395-1118 | PK-70873-0304 | 15-45-3318 | A-71395-1218 | PK-70873-0304 | .800 | 20,32 | .899 | 22,83 |
| 10 | 20 | 15-45-3220 | A-71395-1020 | PK-70873-0304 | 15-45-3120 | A-71395-1120 | PK-70873-0304 | 15-45-3320 | A-71395-1220 | PK-70873-0304 | .900 | 22,86 | .999 | 25,37 |
| 11 | 22 | 15-45-3222 | A-71395-1022 | PK-70873-0304 | 15-45-3122 | A-71395-1122 | PK-70873-0304 | 15-45-3322 | A-71395-1222 | PK-70873-0304 | 1.000 | 25,40 | 1.099 | 27,91 |
| 12 | 24 | 15-45-3224 | A-71395-1024 | PK-70873-0304 | 15-45-3124 | A-71395-1124 | PK-70873-0304 | 15-45-3324 | A-71395-1224 | PK-70873-0304 | 1.100 | 27,94 | 1.199 | 30,45 |
| 13 | 26 | 15-45-3226 | A-71395-1026 | PK-70873-0304 | 15-45-3126 | A-71395-1126 | PK-70873-0304 | 15-45-3326 | A-71395-1226 | PK-70873-0304 | 1.200 | 30,48 | 1.299 | 32,99 |
| 14 | 28 | 15-45-3228 | A-71395-1028 | PK-70873-0304 | 15-45-3128 | A-71395-1128 | PK-70873-0304 | 15-45-3328 | A-71395-1228 | PK-70873-0304 | 1.300 | 33,02 | 1.399 | 35,53 |
| 15 | 30 | 15-45-3230 | A-71395-1030 | PK-70873-0304 | 15-45-3130 | A-71395-1130 | PK-70873-0304 | 15-45-3330 | A-71395-1230 | PK-70873-0304 | 1.400 | 35,56 | 1.499 | 38,07 |
| 16 | 32 | 15-45-3232 | A-71395-1032 | PK-70873-0304 | 15-45-3132 | A-71395-1132 | PK-70873-0304 | 15-45-3332 | A-71395-1232 | PK-70873-0304 | 1.500 | 38,10 | 1.599 | 40,61 |
| 17 | 34 | 15-45-3234 | A-71395-1034 | PK-70873-0304 | 15-45-3134 | A-71395-1134 | PK-70873-0304 | 15-45-3334 | A-71395-1234 | PK-70873-0304 | 1.600 | 40,64 | 1.699 | 43,15 |
| 18 | 36 | 15-45-3236 | A-71395-1036 | PK-70873-0304 | 15-45-3136 | A-71395-1136 | PK-70873-0304 | 15-45-3336 | A-71395-1236 | PK-70873-0304 | 1.700 | 43,18 | 1.799 | 45,69 |
| 19 | 38 | 15-45-3238 | A-71395-1038 | PK-70873-0304 | 15-45-3138 | A-71395-1138 | PK-70873-0304 | 15-45-3338 | A-71395-1238 | PK-70873-0304 | 1.800 | 45,72 | 1.899 | 48,23 |
| 20 | 40 | 15-45-3240 | A-71395-1040 | PK-70873-0304 | 15-45-3140 | A-71395-1140 | PK-70873-0304 | 15-45-3340 | A-71395-1240 | PK-70873-0304 | 1.900 | 48,26 | 1.999 | 50,77 |
| 21 | 42 | 15-45-3242 | A-71395-1042 | PK-70873-0304 | 15-45-3142 | A-71395-1142 | PK-70873-0304 | 15-45-3342 | A-71395-1242 | PK-70873-0304 | 2.000 | 50,80 | 2.099 | 53,31 |
| 22 | 44 | 15-45-3244 | A-71395-1044 | PK-70873-0304 | 15-45-3144 | A-71395-1144 | PK-70873-0304 | 15-45-3344 | A-71395-1244 | PK-70873-0304 | 2.100 | 53,34 | 2.199 | 55,85 |
| 23 | 46 | 15-45-3246 | A-71395-1046 | PK-70873-0304 | 15-45-3146 | A-71395-1146 | PK-70873-0304 | 15-45-3346 | A-71395-1246 | PK-70873-0304 | 2.200 | 55,88 | 2.299 | 58,39 |
| 24 | 48 | 15-45-3248 | A-71395-1048 | PK-70873-0304 | 15-45-3148 | A-71395-1148 | PK-70873-0304 | 15-45-3348 | A-71395-1248 | PK-70873-0304 | 2.300 | 58,42 | 2.399 | 60,93 |
| 25 | 50 | 15-45-3250 | A-71395-1050 | PK-70873-0304 | 15-45-3150 | A-71395-1150 | PK-70873-0304 | 15-45-3350 | A-71395-1250 | PK-70873-0304 | 2.400 | 60,96 | 2.499 | 63,47 |
| 26 | 52 | 15-45-3252 | A-71395-1052 | PK-70873-0304 | 15-45-3152 | A-71395-1152 | PK-70873-0304 | 15-45-3352 | A-71395-1252 | PK-70873-0304 | 2.500 | 63,50 | 2.599 | 66,01 |
| 27 | 54 | 15-45-3254 | A-71395-1054 | PK-70873-0304 | 15-45-3154 | A-71395-1154 | PK-70873-0304 | 15-45-3354 | A-71395-1254 | PK-70873-0304 | 2.600 | 66,04 | 2.699 | 68,55 |
| 28 | 56 | 15-45-3256 | A-71395-1056 | PK-70873-0304 | 15-45-3156 | A-71395-1156 | PK-70873-0304 | 15-45-3356 | A-71395-1256 | PK-70873-0304 | 2.700 | 68,58 | 2.799 | 71,09 |
| 29 | 58 | 15-45-3258 | A-71395-1058 | PK-70873-0304 | 15-45-3158 | A-71395-1158 | PK-70873-0304 | 15-45-3358 | A-71395-1258 | PK-70873-0304 | 2.800 | 71,12 | 2.899 | 73,63 |
| 30 | 60 | 15-45-3260 | A-71395-1060 | PK-70873-0304 | 15-45-3160 | A-71395-1160 | PK-70873-0304 | 15-45-3360 | A-71395-1260 | PK-70873-0304 | 2.900 | 73,66 | 2.999 | 76,17 |
| 31 | 62 | 15-45-3262 | A-71395-1062 | PK-70873-0304 | 15-45-3162 | A-71395-1162 | PK-70873-0304 | 15-45-3362 | A-71395-1262 | PK-70873-0304 | 3.000 | 76,20 | 3.099 | 78,71 |
| 32 | 64 | 15-45-3264 | A-71395-1064 | PK-70873-0304 | 15-45-3164 | A-71395-1164 | PK-70873-0304 | 15-45-3364 | A-71395-1264 | PK-70873-0304 | 3.100 | 78,74 | 3.199 | 81,25 |
| 33 | 66 | 15-45-3266 | A-71395-1066 | PK-70873-0304 | 15-45-3166 | A-71395-1166 | PK-70873-0304 | 15-45-3366 | A-71395-1266 | PK-70873-0304 | 3.200 | 81,28 | 3.299 | 83,79 |
| 34 | 68 | 15-45-3268 | A-71395-1068 | PK-70873-0304 | 15-45-3168 | A-71395-1168 | PK-70873-0304 | 15-45-3368 | A-71395-1268 | PK-70873-0304 | 3.300 | 83,82 | 3.399 | 86,33 |
| 35 | 70 | 15-45-3270 | A-71395-1070 | PK-70873-0304 | 15-45-3170 | A-71395-1170 | PK-70873-0304 | 15-45-3370 | A-71395-1270 | PK-70873-0304 | 3.400 | 86,36 | 3.499 | 88,87 |
| 36 | 72 | 15-45-3272 | A-71395-1072 | PK-70873-0304 | 15-45-3172 | A-71395-1172 | PK-70873-0304 | 15-45-3372 | A-71395-1272 | PK-70873-0304 | 3.500 | 88,90 | 3.599 | 91,41 |
| 37 | 74 | 15-45-3274 | A-71395-1074 | PK-70873-0304 | 15-45-3174 | A-71395-1174 | PK-70873-0304 | 15-45-3374 | A-71395-1274 | PK-70873-0304 | 3.600 | 91,44 | 3.699 | 93,95 |
| 38 | 76 | 15-45-3276 | A-71395-1076 | PK-70873-0304 | 15-45-3176 | A-71395-1176 | PK-70873-0304 | 15-45-3376 | A-71395-1276 | PK-70873-0304 | 3.700 | 93,98 | 3.799 | 96,49 |
| 39 | 78 | 15-45-3278 | A-71395-1078 | PK-70873-0304 | 15-45-3178 | A-71395-1178 | PK-70873-0304 | 15-45-3378 | A-71395-1278 | PK-70873-0304 | 3.800 | 96,52 | 3.899 | 99,03 |
| 40 | 80 | 15-45-3280 | A-71395-1080 | PK-70873-0304 | 15-45-3180 | A-71395-1180 | PK-70873-0304 | 15-45-3380 | A-71395-1280 | PK-70873-0304 | 3.900 | 99,06 | 3.999 | 101,57 |

| | | | | | | |
|---|--|--------------------------------------|---|---|---|------------------------|
| PLATING: TIN (3.75 MICROMETER)/50 MICROINCH MINIMUM TIN OVER (1.25 MICROMETER)/50 MICROINCH MINIMUM NICKEL OVERALL. 15 GOLD (0.37 MICROMETER)/15 MICROINCH MINIMUM SELECTIVE GOLD IN THE CONTACT AREA; (1.88 MICROMETER)/75 MICROINCH MINIMUM SELECTIVE TIN IN THE PC TAIL AREA OVER (1.25 MICROMETER)/50 MICROINCH MINIMUM NICKEL OVERALL. 30 GOLD (0.75 MICROMETER)/30 MICROINCH MINIMUM SELECTIVE GOLD IN THE CONTACT AREA; (1.88 MICROMETER)/75 MICROINCH MINIMUM SELECTIVE TIN IN THE PC TAIL AREA OVER (1.25 MICROMETER)/50 MICROINCH MINIMUM NICKEL OVERALL. | SEE SHEET 1 EC NO: UCP2010-1001 DRINKWATER 2009/10/14 CHKDJMORGAN 2009/12/01 APPR:SMILLER 2009/12/01 | QUALITY SYMBOLS ▽=0 ▽=0 ▽=0 | GENERAL TOLERANCES (UNLESS SPECIFIED) mm INCH 4 PLACES ±.--- ±.--- 3 PLACES ±.--- ±.010 2 PLACES ±0.25 ±.014 1 PLACE ±0.35 ±.--- ANGULAR ±1/2° | DIMENSION STYLE MM/IN DRAWN BY DATE CHECKED BY DATE RB 1985/12/03 APPROVED BY DATE | SCALE 1:1 DESIGN UNITS METRIC | THIRD ANGLE PROJECTION |
| | | | DRAFT WHERE APPLICABLE MUST REMAIN WITHIN DIMENSIONS | MATERIAL NO. SEE CHART SIZE C | DOCUMENT NO. SDA-71395-1*** SHEET NO. 2 OF 3 | |

MOLEX INCORPORATED

THIS DRAWING CONTAINS INFORMATION THAT IS PROPRIETARY TO MOLEX INCORPORATED AND SHOULD NOT BE USED WITHOUT WRITTEN PERMISSION

| | | | | | | | | | | | | | | | |
|---|--------------|-------|-------------|----------|-------------------------|-----------------|--------------|-------------------------|-----------------|--------------|-------------------------|----------|-------|----------|-------|
| | 13 | 12 | 11 | 10 | 9 | 8 | 7 | 6 | 5 | 4 | 3 | 2 | 1 | | |
| | NO. OF CKTS. | | TIN PLATING | | | 15 GOLD PLATING | | | 30 GOLD PLATING | | | | | | |
| J | PER ROW | TOTAL | E.D.P. NO. | ENG. NO. | TAPE AND REEL PACKAGING | E.D.P. NO. | ENG. NO. | TAPE AND REEL PACKAGING | E.D.P. NO. | ENG. NO. | TAPE AND REEL PACKAGING | DIM. "A" | | DIM. "B" | |
| | | | | | | | | | | | | INCH | MM | INCH | MM |
| | 7 | 14 | NA | NA | NA | NA | NA | NA | 71395-5114 | A-71395-5114 | PK-71395-001 | .600 | 15.24 | .699 | 17.75 |
| | 8 | 16 | NA | NA | NA | 71395-5016 | A-71395-5016 | PK-71395-001 | NA | NA | NA | .700 | 17.78 | .799 | 20.29 |
| | | | NA | NA | NA | NA | NA | NA | NA | NA | NA | | | | |
| | 10 | 20 | NA | NA | NA | 71395-5020 | A-71395-5020 | PK-71395-001 | 71395-5120 | A-71395-5120 | PK-71395-001 | .900 | 22.86 | .999 | 25.37 |
| I | 20 | 40 | NA | NA | NA | 71395-5040 | A-71395-5040 | PK-71395-001 | NA | NA | NA | 1.900 | 48.26 | 1.999 | 50.77 |
| | | | NA | NA | NA | NA | NA | NA | NA | NA | NA | | | | |



| | | | | | | | | | | | | | | | | | | | | | | | | | | | |
|--|--|--|---|--------------------------------------|--|----|------|------|----------|-------|-------|----------|-------|--------|----------|--------|--------|---------|--------|-------|--|--|--|---------------------------|--|---------------------------------------|----------------------------|
| A | PLATING: | TIN (3.75 MICROMETER)/150 MICROINCH MINIMUM TIN OVER (1.25 MICROMETER)/50 MICROINCH MINIMUM NICKEL OVERALL. 15 GOLD (0.37 MICROMETER)/15 MICROINCH MINIMUM SELECTIVE GOLD IN THE CONTACT AREA; (1.88 MICROMETER)/75 MICROINCH MINIMUM SELECTIVE TIN IN THE PC TAIL AREA OVER (1.25 MICROMETER)/50 MICROINCH MINIMUM NICKEL OVERALL. 30 GOLD (0.75 MICROMETER)/30 MICROINCH MINIMUM SELECTIVE GOLD IN THE CONTACT AREA; (1.88 MICROMETER)/75 MICROINCH MINIMUM SELECTIVE TIN IN THE PC TAIL AREA OVER (1.25 MICROMETER)/50 MICROINCH MINIMUM NICKEL OVERALL. | ADD 71395-5040 EC NO: UCP2010-1001 DRWN:SI BARRA 2009/10/14 CHKD:DMORGAN 2009/12/01 APPR:SMILLER 2009/12/01 | QUALITY SYMBOLS ▽=0 ▽=0 ▽=0 | GENERAL TOLERANCES (UNLESS SPECIFIED) <table border="1"> <tr> <td></td> <td>mm</td> <td>INCH</td> </tr> <tr> <td>4 PLACES</td> <td>± ---</td> <td>± ---</td> </tr> <tr> <td>3 PLACES</td> <td>± ---</td> <td>± .010</td> </tr> <tr> <td>2 PLACES</td> <td>± 0.25</td> <td>± .014</td> </tr> <tr> <td>1 PLACE</td> <td>± 0.35</td> <td>± ---</td> </tr> </table> | | mm | INCH | 4 PLACES | ± --- | ± --- | 3 PLACES | ± --- | ± .010 | 2 PLACES | ± 0.25 | ± .014 | 1 PLACE | ± 0.35 | ± --- | DIMENSION STYLE MM/IN DRAWN BY DATE CHECKED BY DATE RB 1985/12/03 APPROVED BY DATE | SCALE 1:1 DESIGN UNITS METRIC THIRD ANGLE PROJECTION | TITLE CONNECTOR DUAL ROW VERTICAL SURFACE MOUNT TOP ENTRY ON .100 GRID | MOLEX INCORPORATED | MATERIAL NO. SEE CHART SIZE | DOCUMENT NO. SDA-71395-1*** | SHEET NO. 3 OF 3 |
| | | | | | | mm | INCH | | | | | | | | | | | | | | | | | | | | |
| 4 PLACES | ± --- | ± --- | | | | | | | | | | | | | | | | | | | | | | | | | |
| 3 PLACES | ± --- | ± .010 | | | | | | | | | | | | | | | | | | | | | | | | | |
| 2 PLACES | ± 0.25 | ± .014 | | | | | | | | | | | | | | | | | | | | | | | | | |
| 1 PLACE | ± 0.35 | ± --- | | | | | | | | | | | | | | | | | | | | | | | | | |
| DRAFT WHERE APPLICABLE MUST REMAIN WITHIN DIMENSIONS | THIS DRAWING CONTAINS INFORMATION THAT IS PROPRIETARY TO MOLEX INCORPORATED AND SHOULD NOT BE USED WITHOUT WRITTEN PERMISSION | | | | | | | | | | | | | | | | | | | | | | | | | | |

| | | 13 | 12 | 11 | 10 | 9 | 8 | 7 | 6 | 5 | 4 | 3 | 2 | 1 | | |
|--|--------------|-------|-------------|---------------|----------------|-----------------|---------------|----------------|-----------------|---------------|----------------|----------|-------|----------|--------|---|
| - VERSION WITHOUT PCB RETENTION PEGS - | | | | | | | | | | | | | | | | |
| J | NO. OF CKTS. | | TIN PLATING | | | 15 GOLD PLATING | | | 30 GOLD PLATING | | | DIM. "A" | | DIM. "B" | | J |
| | PER ROW | TOTAL | E.D.P. NO. | ENG. NO. | TRAY PACKAGING | E.D.P. NO. | ENG. NO. | TRAY PACKAGING | E.D.P. NO. | ENG. NO. | TRAY PACKAGING | INCH | MM | INCH | MM | |
| | 2 | 4 | NA | AX-71395-1004 | PK-70873-0304 | NA | AX-71395-1104 | PK-70873-0304 | NA | AX-71395-1204 | PK-70873-0304 | .100 | 2,54 | .199 | 5,05 | |
| | 3 | 6 | 71395-1006 | A-71395-1006 | PK-70873-0304 | NA | AX-71395-1106 | PK-70873-0304 | NA | AX-71395-1206 | PK-70873-0304 | .200 | 5,08 | .299 | 7,59 | |
| I | 4 | 8 | 15-45-3208 | A-71395-1008 | PK-70873-0304 | 15-45-3108 | A-71395-1108 | PK-70873-0304 | 15-45-3308 | A-71395-1208 | PK-70873-0304 | .300 | 7,62 | .399 | 10,13 | |
| | 5 | 10 | 15-45-3210 | A-71395-1010 | PK-70873-0304 | 15-45-3110 | A-71395-1110 | PK-70873-0304 | 15-45-3310 | A-71395-1210 | PK-70873-0304 | .400 | 10,16 | .499 | 12,67 | |
| | 6 | 12 | 15-45-3212 | A-71395-1012 | PK-70873-0304 | 15-45-3112 | A-71395-1112 | PK-70873-0304 | 15-45-3312 | A-71395-1212 | PK-70873-0304 | .500 | 12,70 | .599 | 15,21 | |
| | 7 | 14 | 15-45-3214 | A-71395-1014 | PK-70873-0304 | 15-45-3114 | A-71395-1114 | PK-70873-0304 | 15-45-3314 | A-71395-1214 | PK-70873-0304 | .600 | 15,24 | .699 | 17,75 | |
| | 8 | 16 | 15-45-3216 | A-71395-1016 | PK-70873-0304 | 15-45-3116 | A-71395-1116 | PK-70873-0304 | 15-45-3316 | A-71395-1216 | PK-70873-0304 | .700 | 17,78 | .799 | 20,29 | |
| | 9 | 18 | 15-45-3218 | A-71395-1018 | PK-70873-0304 | 15-45-3118 | A-71395-1118 | PK-70873-0304 | 15-45-3318 | A-71395-1218 | PK-70873-0304 | .800 | 20,32 | .899 | 22,83 | |
| | 10 | 20 | 15-45-3220 | A-71395-1020 | PK-70873-0304 | 15-45-3120 | A-71395-1120 | PK-70873-0304 | 15-45-3320 | A-71395-1220 | PK-70873-0304 | .900 | 22,86 | .999 | 25,37 | |
| H | 11 | 22 | 15-45-3222 | A-71395-1022 | PK-70873-0304 | 15-45-3122 | A-71395-1122 | PK-70873-0304 | 15-45-3322 | A-71395-1222 | PK-70873-0304 | 1.000 | 25,40 | 1.099 | 27,91 | |
| | 12 | 24 | 15-45-3224 | A-71395-1024 | PK-70873-0304 | 15-45-3124 | A-71395-1124 | PK-70873-0304 | 15-45-3324 | A-71395-1224 | PK-70873-0304 | 1.100 | 27,94 | 1.199 | 30,45 | |
| | 13 | 26 | 15-45-3226 | A-71395-1026 | PK-70873-0304 | 15-45-3126 | A-71395-1126 | PK-70873-0304 | 15-45-3326 | A-71395-1226 | PK-70873-0304 | 1.200 | 30,48 | 1.299 | 32,99 | |
| | 14 | 28 | 15-45-3228 | A-71395-1028 | PK-70873-0304 | 15-45-3128 | A-71395-1128 | PK-70873-0304 | 15-45-3328 | A-71395-1228 | PK-70873-0304 | 1.300 | 33,02 | 1.399 | 35,53 | |
| | 15 | 30 | 15-45-3230 | A-71395-1030 | PK-70873-0304 | 15-45-3130 | A-71395-1130 | PK-70873-0304 | 15-45-3330 | A-71395-1230 | PK-70873-0304 | 1.400 | 35,56 | 1.499 | 38,07 | |
| | 16 | 32 | 15-45-3232 | A-71395-1032 | PK-70873-0304 | 15-45-3132 | A-71395-1132 | PK-70873-0304 | 15-45-3332 | A-71395-1232 | PK-70873-0304 | 1.500 | 38,10 | 1.599 | 40,61 | |
| | 17 | 34 | 15-45-3234 | A-71395-1034 | PK-70873-0304 | 15-45-3134 | A-71395-1134 | PK-70873-0304 | 15-45-3334 | A-71395-1234 | PK-70873-0304 | 1.600 | 40,64 | 1.699 | 43,15 | |
| G | 18 | 36 | 15-45-3236 | A-71395-1036 | PK-70873-0304 | 15-45-3136 | A-71395-1136 | PK-70873-0304 | 15-45-3336 | A-71395-1236 | PK-70873-0304 | 1.700 | 43,18 | 1.799 | 45,69 | |
| | 19 | 38 | 15-45-3238 | A-71395-1038 | PK-70873-0304 | 15-45-3138 | A-71395-1138 | PK-70873-0304 | 15-45-3338 | A-71395-1238 | PK-70873-0304 | 1.800 | 45,72 | 1.899 | 48,23 | |
| | 20 | 40 | 15-45-3240 | A-71395-1040 | PK-70873-0304 | 15-45-3140 | A-71395-1140 | PK-70873-0304 | 15-45-3340 | A-71395-1240 | PK-70873-0304 | 1.900 | 48,26 | 1.999 | 50,77 | |
| | 21 | 42 | 15-45-3242 | A-71395-1042 | PK-70873-0304 | 15-45-3142 | A-71395-1142 | PK-70873-0304 | 15-45-3342 | A-71395-1242 | PK-70873-0304 | 2.000 | 50,80 | 2.099 | 53,31 | |
| | 22 | 44 | 15-45-3244 | A-71395-1044 | PK-70873-0304 | 15-45-3144 | A-71395-1144 | PK-70873-0304 | 15-45-3344 | A-71395-1244 | PK-70873-0304 | 2.100 | 53,34 | 2.199 | 55,85 | |
| | 23 | 46 | 15-45-3246 | A-71395-1046 | PK-70873-0304 | 15-45-3146 | A-71395-1146 | PK-70873-0304 | 15-45-3346 | A-71395-1246 | PK-70873-0304 | 2.200 | 55,88 | 2.299 | 58,39 | |
| F | 24 | 48 | 15-45-3248 | A-71395-1048 | PK-70873-0304 | 15-45-3148 | A-71395-1148 | PK-70873-0304 | 15-45-3348 | A-71395-1248 | PK-70873-0304 | 2.300 | 58,42 | 2.399 | 60,93 | |
| | 25 | 50 | 15-45-3250 | A-71395-1050 | PK-70873-0304 | 15-45-3150 | A-71395-1150 | PK-70873-0304 | 15-45-3350 | A-71395-1250 | PK-70873-0304 | 2.400 | 60,96 | 2.499 | 63,47 | |
| | 26 | 52 | 15-45-3252 | A-71395-1052 | PK-70873-0304 | 15-45-3152 | A-71395-1152 | PK-70873-0304 | 15-45-3352 | A-71395-1252 | PK-70873-0304 | 2.500 | 63,50 | 2.599 | 66,01 | |
| | 27 | 54 | 15-45-3254 | A-71395-1054 | PK-70873-0304 | 15-45-3154 | A-71395-1154 | PK-70873-0304 | 15-45-3354 | A-71395-1254 | PK-70873-0304 | 2.600 | 66,04 | 2.699 | 68,55 | |
| | 28 | 56 | 15-45-3256 | A-71395-1056 | PK-70873-0304 | 15-45-3156 | A-71395-1156 | PK-70873-0304 | 15-45-3356 | A-71395-1256 | PK-70873-0304 | 2.700 | 68,58 | 2.799 | 71,09 | |
| | 29 | 58 | 15-45-3258 | A-71395-1058 | PK-70873-0304 | 15-45-3158 | A-71395-1158 | PK-70873-0304 | 15-45-3358 | A-71395-1258 | PK-70873-0304 | 2.800 | 71,12 | 2.899 | 73,63 | |
| E | 30 | 60 | 15-45-3260 | A-71395-1060 | PK-70873-0304 | 15-45-3160 | A-71395-1160 | PK-70873-0304 | 15-45-3360 | A-71395-1260 | PK-70873-0304 | 2.900 | 73,66 | 2.999 | 76,17 | |
| | 31 | 62 | 15-45-3262 | A-71395-1062 | PK-70873-0304 | 15-45-3162 | A-71395-1162 | PK-70873-0304 | 15-45-3362 | A-71395-1262 | PK-70873-0304 | 3.000 | 76,20 | 3.099 | 78,71 | |
| | 32 | 64 | 15-45-3264 | A-71395-1064 | PK-70873-0304 | 15-45-3164 | A-71395-1164 | PK-70873-0304 | 15-45-3364 | A-71395-1264 | PK-70873-0304 | 3.100 | 78,74 | 3.199 | 81,25 | |
| | 33 | 66 | 15-45-3266 | A-71395-1066 | PK-70873-0304 | 15-45-3166 | A-71395-1166 | PK-70873-0304 | 15-45-3366 | A-71395-1266 | PK-70873-0304 | 3.200 | 81,28 | 3.299 | 83,79 | |
| | 34 | 68 | 15-45-3268 | A-71395-1068 | PK-70873-0304 | 15-45-3168 | A-71395-1168 | PK-70873-0304 | 15-45-3368 | A-71395-1268 | PK-70873-0304 | 3.300 | 83,82 | 3.399 | 86,33 | |
| | 35 | 70 | 15-45-3270 | A-71395-1070 | PK-70873-0304 | 15-45-3170 | A-71395-1170 | PK-70873-0304 | 15-45-3370 | A-71395-1270 | PK-70873-0304 | 3.400 | 86,36 | 3.499 | 88,87 | |
| | 36 | 72 | 15-45-3272 | A-71395-1072 | PK-70873-0304 | 15-45-3172 | A-71395-1172 | PK-70873-0304 | 15-45-3372 | A-71395-1272 | PK-70873-0304 | 3.500 | 88,90 | 3.599 | 91,41 | |
| D | 37 | 74 | 15-45-3274 | A-71395-1074 | PK-70873-0304 | 15-45-3174 | A-71395-1174 | PK-70873-0304 | 15-45-3374 | A-71395-1274 | PK-70873-0304 | 3.600 | 91,44 | 3.699 | 93,95 | |
| | 38 | 76 | 15-45-3276 | A-71395-1076 | PK-70873-0304 | 15-45-3176 | A-71395-1176 | PK-70873-0304 | 15-45-3376 | A-71395-1276 | PK-70873-0304 | 3.700 | 93,98 | 3.799 | 96,49 | |
| | 39 | 78 | 15-45-3278 | A-71395-1078 | PK-70873-0304 | 15-45-3178 | A-71395-1178 | PK-70873-0304 | 15-45-3378 | A-71395-1278 | PK-70873-0304 | 3.800 | 96,52 | 3.899 | 99,03 | |
| | 40 | 80 | 15-45-3280 | A-71395-1080 | PK-70873-0304 | 15-45-3180 | A-71395-1180 | PK-70873-0304 | 15-45-3380 | A-71395-1280 | PK-70873-0304 | 3.900 | 99,06 | 3.999 | 101,57 | |

| | | | | | | | | |
|--|-----------------|--|-----------------|------|--------|--------------|------------------------|--|
| ADD 71395-1006 EC NO: UCP2007-2946 DRW:NDORGAN 2007/06/19 CHKD:MS BARRA 2007/06/19 APPR:SMILLER 2007/06/22 REV: | QUALITY SYMBOLS | GENERAL TOLERANCES (UNLESS SPECIFIED) mm INCH 4 PLACES ± --- ± --- 3 PLACES ± --- ± .010 2 PLACES ± 0.25 ± .014 1 PLACE ± 0.35 ± --- ANGULAR ±1/2° | DIMENSION STYLE | | SCALE | DESIGN UNITS | THIRD ANGLE PROJECTION | |
| | | | MM/IN | 10:1 | METRIC | | | |
| | | | DRAWN BY | DATE | TITLE | | | |
| | | | CHECKED BY | DATE | | | | |
| | | APPROVED BY | DATE | | | | | |
| | | MATERIAL NO. | DOCUMENT NO. | | | | SHEET NO. | |
| | | SEE TABLE | SDA-71395-1*** | | | | 2 | |
| | | DRAFT WHERE APPLICABLE MUST REMAIN WITHIN DIMENSIONS | | | | | | |
| | | THIS DRAWING CONTAINS INFORMATION THAT IS PROPRIETARY TO MOLEX INCORPORATED AND SHOULD NOT BE USED WITHOUT WRITTEN PERMISSION | | | | | | |

CONNECTOR DUAL ROW
VERTICAL SURFACE MOUNT
TOP ENTRY ON .100 GRID

molex MOLEX INCORPORATED