

PLEASE CHECK WWW.MOLEX.COM FOR LATEST PART INFORMATION

Part Number: [0398800915](#)
Status: **Active**
Description: 5.08mm (.200") Pitch Beau™ Eurostyle™ Medium Profile, Three Level Terminal Block, Modular, 15 Circuits

Documents:

[3D Model](#)
[Drawing \(PDF\)](#)

[RoHS Certificate of Compliance \(PDF\)](#)

Agency Certification

CSA LR25562
 UL E48521

General

Product Family Terminal Blocks
 Series [39880](#)
 Application Wire-to-Board
 Component Type One Piece
 Product Literature Order No USA-263
 Product Name Eurostyle™ Multi-Level
 Type Euro Block

Physical

Circuits (Loaded) 15
 Entry Angle Horizontal
 Flammability 94V-0
 Lock to Mating Part None
 Number of Rows 3
 Orientation Vertical
 PC Tail Length (in) 0.150 In
 PC Tail Length (mm) 3.80 mm
 PCB Retention None
 PCB Thickness Recommended (in) 0.102 In
 PCB Thickness Recommended (mm) 2.60 mm
 Panel Mount No
 Pitch - Mating Interface (in) 0.200 In
 Pitch - Mating Interface (mm) 5.08 mm
 Pitch - Term. Interface (in) 0.200 In
 Pitch - Term. Interface (mm) 5.08 mm
 Polarized to Mating Part N/A
 Shrouded Fully
 Stackable Yes
 Temperature Range - Operating 110°C
 Wire Size AWG 12, 14, 16, 18, 20, 22, 24, 26, 28, 30
 Wire Size mm² 0.05 - 2.50

Electrical

Current - Maximum per Contact 17.5A
 Voltage - Maximum 300V

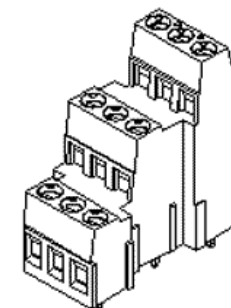
Solder Process Data

Lead-free Process Capability Wave Capable (TH only)

Material Info

Old Part Number 883215

Reference - Drawing Numbers



Series
image - Reference only

EU RoHS

ELV and RoHS
Compliant
REACH SVHC
 Not Reviewed
Halogen-Free
Status
Not Reviewed

China RoHS



Need more information on product environmental compliance?

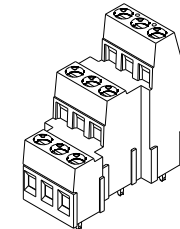
Email productcompliance@molex.com
 For a multiple part number RoHS Certificate of Compliance, [click here](#)

Please visit the [Contact Us](#) section for any non-product compliance questions.

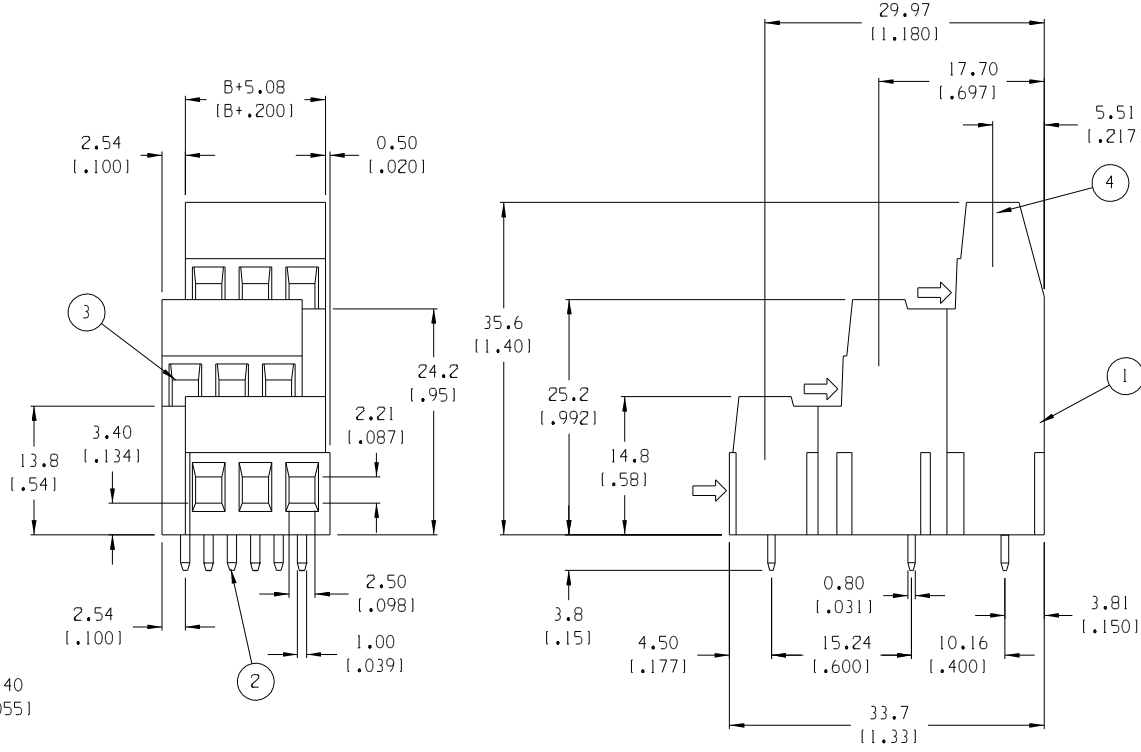
Search Parts in this Series
[39880Series](#)

This document was generated on 04/26/2010

PLEASE CHECK WWW.MOLEX.COM FOR LATEST PART INFORMATION

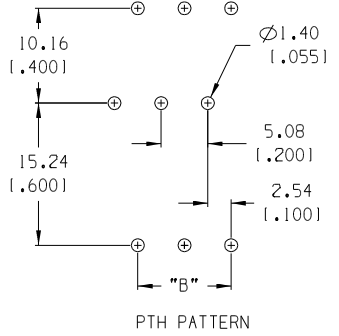


AUX. VIEW
SCALE 1:1
9 CIRCUIT SHOWN



- NOTES:
1. MATERIAL: SEE TABLE
 2. FINISHES: SEE TABLE
 3. PRODUCT SPECIFICATION: NOT REQUIRED
 4. PACKAGING: NOT REQUIRED
 5. MATES WITH: NONE
 6. "XX" REFERS TO THE QUANTITY OF CIRCUITS.

NO. OF CIRCUITS "XX"	DIM. "B"	MATERIAL NO.
06	5.08	1.2001
09	10.16	1.4001
12	15.24	1.6001
15	20.32	1.8001
18	25.40	11.0001
21	30.48	11.2001
24	35.56	11.4001
27	40.64	11.6001
30	45.72	11.8001
33	50.80	12.0001
36	55.88	12.2001
39	60.96	12.4001
42	66.04	12.6001
45	71.12	12.8001
48	76.20	13.0001
51	81.28	13.2001
54	86.36	13.4001
57	91.44	13.6001
60	96.52	13.8001
63	101.60	14.0001
66	106.68	14.2001
69	111.76	14.4001
72	116.84	14.6001



ITEM	QTY.	DESCRIPTION	MATERIAL	FINISH
4	XX	SCREW, M3	BRONZE	NICKEL
3	XX	CAGE CLAMP	BRASS	NICKEL
2	XX	TERMINAL	PHOSPHOR BRONZE	HOT TIN DIP
1	1	INSULATOR, 3 LEVEL	POLYAMIDE	BLACK

EC NO. ECN# 3963
 DRWN: CY 12-23-04
 CH'KT
 APPR:
 B

QUALITY SYMBOLS	GENERAL TOLERANCES: (UNLESS SPECIFIED)	SCALE	DESIGN UNITS	THIRD ANGLE PROJECTION
MAJOR:	mm INCH	2:1	<input type="checkbox"/> mm <input checked="" type="checkbox"/> INCH	
CRITICAL:	4 PLACES ±.0015			
SPC:	3 PLACES ±.038 ±.005			
	2 PLACES ±.13 ±.01			
	1 PLACE ±.3			
	ANGULAR: ±1°			
	DRAFT WHERE APPLICABLE MUST REMAIN WITHIN DIMENSIONS			

DRAWN BY & DATE
 R. KEMP 12-4-01
 CHECKED BY & DATE
 P. WALTZ 12-6-01
 APPROVED BY & DATE
 L. ROTHHAUS 12-6-01
 CAD FILENAME
 8832XX.PRT

PROJECT NO. N/A
 DIMENSIONS: mm INCH mm ONLY
 SHEET REV
 REVISE ON CAD ONLY
 TITLE: 5.08mm (1.200") EUROSTYLE MID, THREE LEVEL FIXED BLOCK
 MOLEX INCORPORATED
 MATERIAL NO. SEE CHART
 DRAWING NO. SD-39880-009
 SHEET NO. 1 OF 1
 THIS DRAWING CONTAINS INFORMATION THAT IS PROPRIETARY TO MOLEX INCORPORATED AND SHOULD NOT BE USED WITHOUT WRITTEN PERMISSION.
 SIZE B