



# IS43R83200B, IS46R83200B IS43R16160B, IS46R16160B

## 32Mx8, 16Mx16

## 256Mb DDR Synchronous DRAM

AUGUST 2010

### FEATURES:

- $V_{DD} = V_{DDQ} = 2.5V \pm 0.2V$  (-5, -6, -75)
- Double data rate architecture; two data transfers per clock cycle.
- Bidirectional, data strobe (DQS) is transmitted/received with data
- Differential clock input (CLK and /CLK)
- DLL aligns DQ and DQS transitions with CLK transitions edges of DQS
- Commands entered on each positive CLK edge;
- Data and data mask referenced to both edges of DQS
- 4 bank operation controlled by BA0, BA1 (Bank Address)
- /CAS latency -2.0 / 2.5 / 3.0 (programmable); Burst length -2 / 4 / 8 (programmable) Burst type -Sequential / Interleave (programmable)
- Auto precharge/ All bank precharge controlled by A10
- 8192 refresh cycles / 64ms (4 banks concurrent refresh)
- Auto refresh and Self refresh
- Row address A0-12 / Column address A0-9(x8)/ A0-8(x16)
- SSTL\_2 Interface
- Package:  
66-pin TSOP II (x8 and x16)  
60-ball TF-BGA (x16 only)
- Temperature Range:  
Commercial (0°C to +70°C)  
Industrial (-40°C to +85°C)  
Automotive (-40°C to +85°C)

### DESCRIPTION:

IS43/46R83200B is a 4-bank x 8,388,608-word x8bit, IS43/46R16160B is a 4-bank x 4,194,304-word x 16bit double data rate synchronous DRAM, with SSTL\_2 interface. All control and address signals are referenced to the rising edge of CLK. Input data is registered on both edges of data strobe, and output data and data strobe are referenced on both edges of CLK. The device achieves very high speed clock rate up to 200 MHz.

### KEY TIMING PARAMETERS

| Parameter              | -5    | -6    | -75   | Unit |
|------------------------|-------|-------|-------|------|
| Clk Cycle Time         |       |       |       |      |
| CAS Latency = 3        | 5     | 6     | 7.5   | ns   |
| CAS Latency = 2.5      | 5     | 6     | 7.5   | ns   |
| CAS Latency = 2        | 7.5   | 7.5   | 7.5   | ns   |
| Clk Frequency          |       |       |       |      |
| CAS Latency = 3        | 200   | 167   | 133   | MHz  |
| CAS Latency = 2.5      | 200   | 167   | 133   | MHz  |
| CAS Latency = 2        | 133   | 133   | 133   | MHz  |
| Access Time from Clock |       |       |       |      |
| CAS Latency = 3        | ±0.70 | ±0.70 | ±0.75 | ns   |
| CAS Latency = 2.5      | ±0.70 | ±0.70 | ±0.75 | ns   |
| CAS Latency = 2        | ±0.75 | ±0.75 | ±0.75 | ns   |

### ADDRESS TABLE

| Parameter          | 32M x 8          | 16M x 16          |
|--------------------|------------------|-------------------|
| Configuration      | 8M x 8 x 4 banks | 4M x 16 x 4 banks |
| Bank Address Pins  | BA0, BA1         | BA0, BA1          |
| Autoprecharge Pins | A10/AP           | A10/AP            |
| Row Addresses      | A0 – A12         | A0 – A12          |
| Column Addresses   | A0 – A9          | A0 – A8           |
| Refresh Count      | 8192 / 64ms      | 8192 / 64ms       |

Copyright © 2010 Integrated Silicon Solution, Inc. All rights reserved. ISSI reserves the right to make changes to this specification and its products at any time without notice. ISSI assumes no liability arising out of the application or use of any information, products or services described herein. Customers are advised to obtain the latest version of this device specification before relying on any published information and before placing orders for products.

Integrated Silicon Solution, Inc. does not recommend the use of any of its products in life support applications where the failure or malfunction of the product can reasonably be expected to cause failure of the life support system or to significantly affect its safety or effectiveness. Products are not authorized for use in such applications unless Integrated Silicon Solution, Inc. receives written assurance to its satisfaction, that:

- a.) the risk of injury or damage has been minimized;
- b.) the user assume all such risks; and
- c.) potential liability of Integrated Silicon Solution, Inc is adequately protected under the circumstances

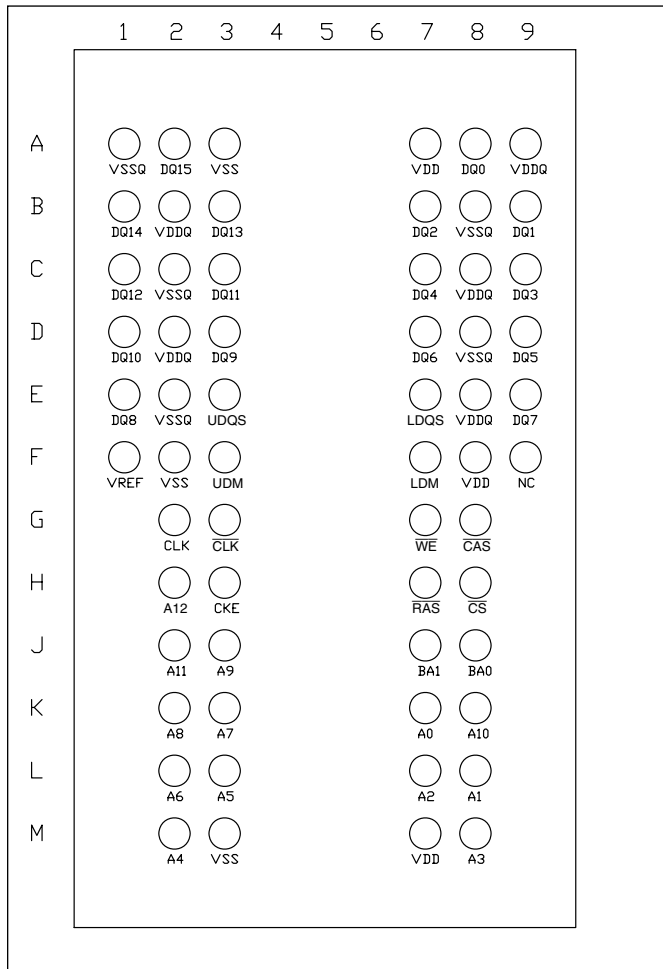
**PIN CONFIGURATION**

**Package Code B: 60-ball TF-BGA (top view)**

(8mm x 13mm Body, 0.8mm x 1.0mm Ball Pitch)

**Top View**

(Balls seen through the package)



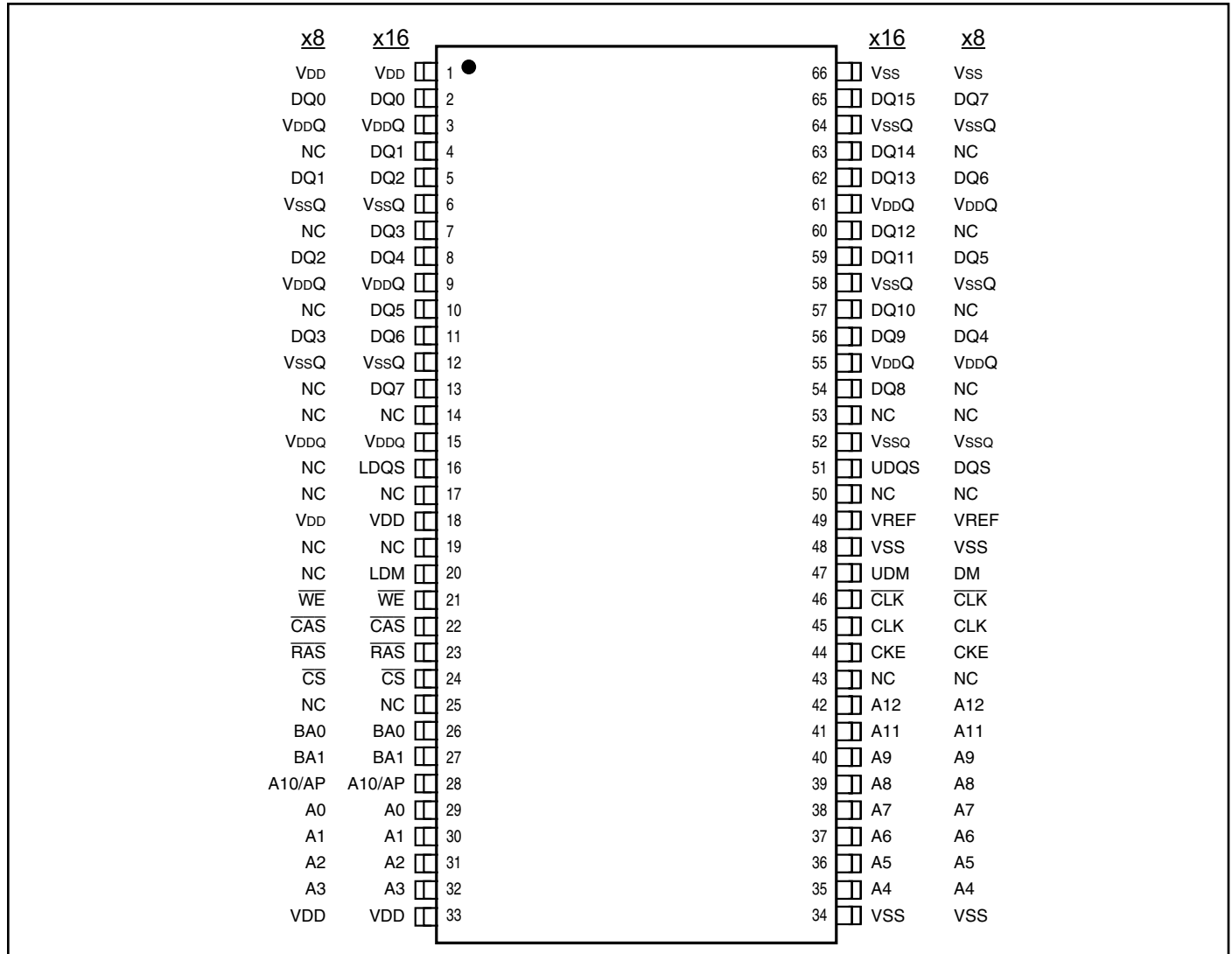
**PIN DESCRIPTION: for x16**

|                              |                               |
|------------------------------|-------------------------------|
| A0-A12                       | Row Address Input             |
| A0-A8                        | Column Address Input          |
| BA0, BA1                     | Bank Select Address           |
| DQ0 – DQ15                   | Data I/O                      |
| CLK, $\overline{\text{CLK}}$ | System Clock Input            |
| CKE                          | Clock Enable                  |
| $\overline{\text{CS}}$       | Chip Select                   |
| $\overline{\text{CAS}}$      | Column Address Strobe Command |
| $\overline{\text{RAS}}$      | Row Address Strobe Command    |

|                        |                           |
|------------------------|---------------------------|
| $\overline{\text{WE}}$ | Write Enable              |
| LDM, UDM               | Data Write Mask           |
| LDQS, UDQS             | Data Strobe               |
| VDD                    | Power                     |
| VDDQ                   | Power Supply for I/O Pins |
| VSS                    | Ground                    |
| VSSQ                   | Ground for I/O Pins       |
| VREF                   | SSTL_2 reference voltage  |
| NC                     | No Connection             |

**PIN CONFIGURATIONS**

66 pin TSOP - Type II for x8, x16



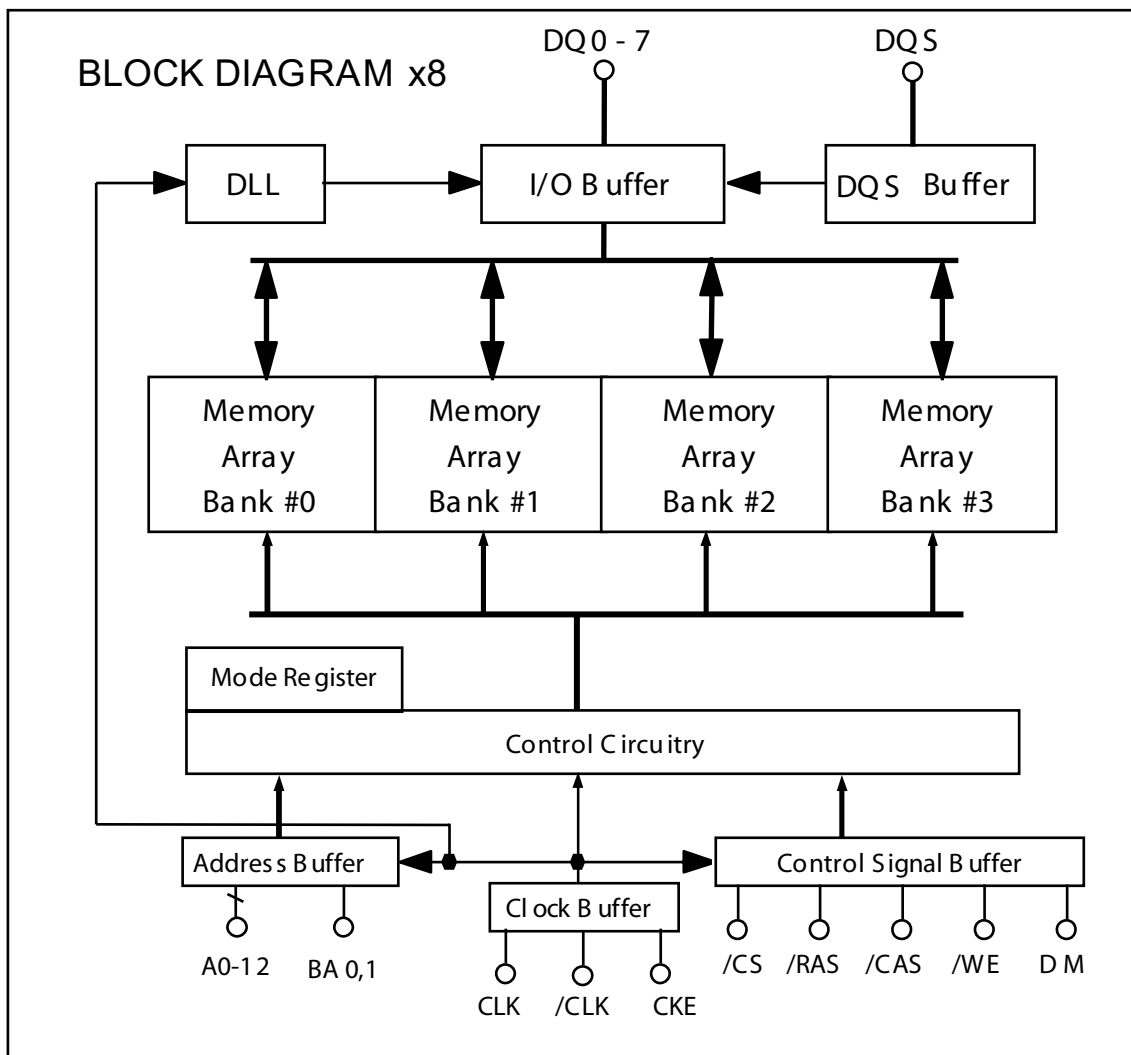
**PIN DESCRIPTION:**

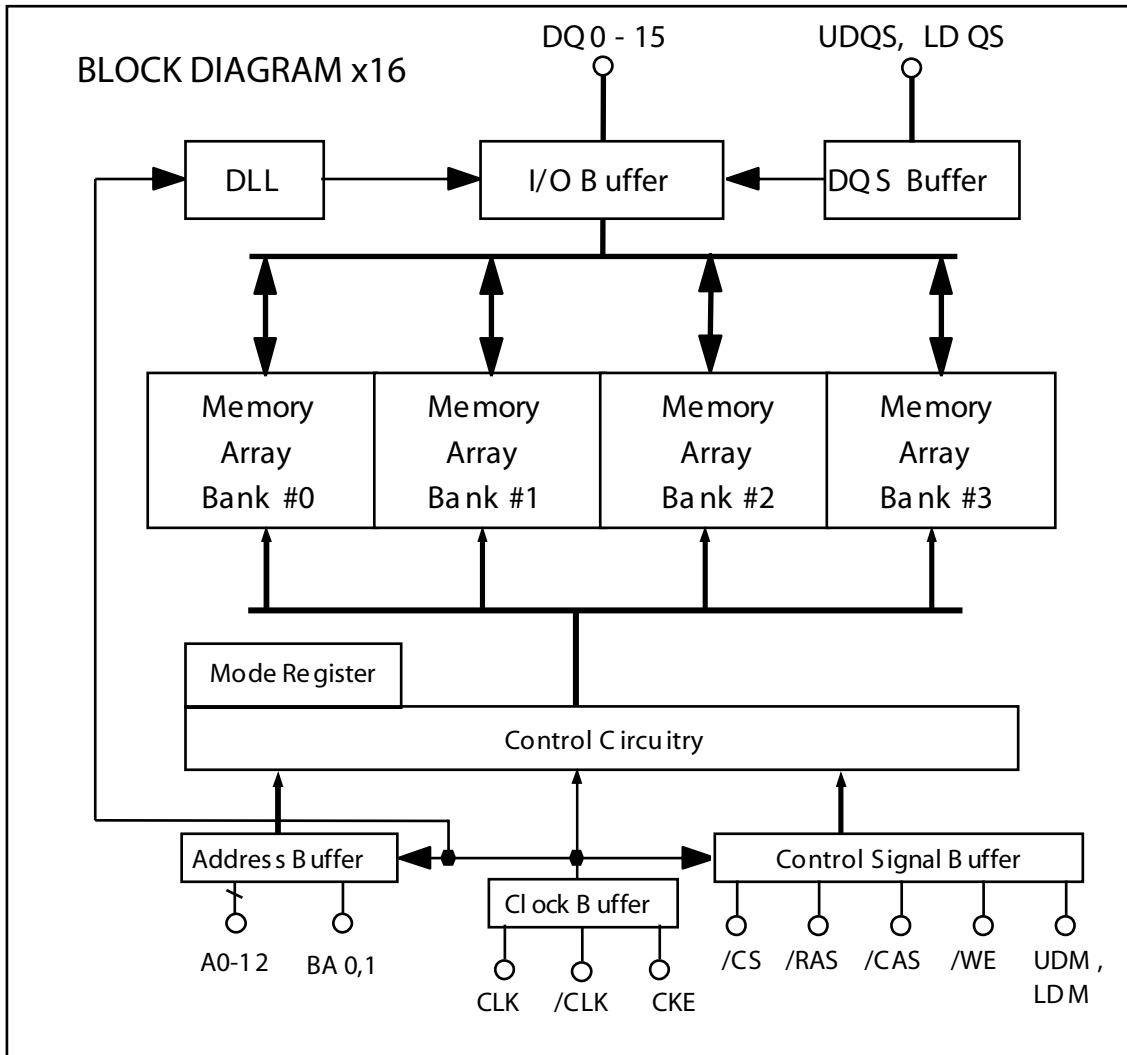
|                                    |                               |
|------------------------------------|-------------------------------|
| A0-A12                             | Row Address Input             |
| A0-A8 (x16)<br>A0-A9 (x8)          | Column Address Input          |
| BA0, BA1                           | Bank Select Address           |
| DQ0 – DQ15 (x16)<br>DQ0 – DQ7 (x8) | Data I/O                      |
| CLK, $\overline{\text{CLK}}$       | System Clock Input            |
| CKE                                | Clock Enable                  |
| $\overline{\text{CS}}$             | Chip Select                   |
| $\overline{\text{CAS}}$            | Column Address Strobe Command |
| $\overline{\text{RAS}}$            | Row Address Strobe Command    |

|                              |                           |
|------------------------------|---------------------------|
| $\overline{\text{WE}}$       | Write Enable              |
| LDM, UDM (x16)<br>DM (x8)    | Data Write Mask           |
| LDQS, UDQS (x16)<br>DQS (x8) | Data Strobe               |
| VDD                          | Power                     |
| VDDQ                         | Power Supply for I/O Pins |
| VSS                          | Ground                    |
| VSSQ                         | Ground for I/O Pins       |
| VREF                         | SSTL_2 reference voltage  |
| NC                           | No Connection             |

## PIN FUNCTION

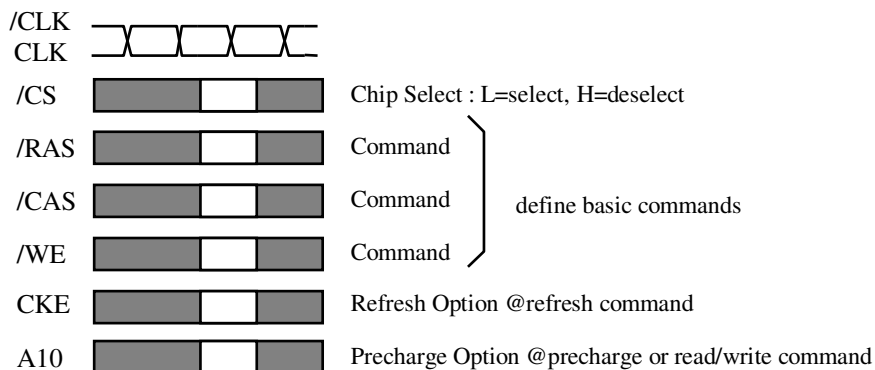
| SYMBOL                       | TYPE           | DESCRIPTION  |
|------------------------------|----------------|--|
| CLK, /CLK                    | Input          | Clock: CLK and /CLK are differential clock inputs. All address and control input signals are sampled on the crossing of the positive edge of CLK and negative edge of /CLK. Output (read) data is referenced to the crossings of CLK and /CLK (both directions of crossing).   |
| CKE                          | Input          | Clock Enable: CKE controls internal clock. When CKE is low, internal clock for the following cycle is ceased. CKE is also used to select auto / self refresh. After self refresh mode is started, CKE becomes asynchronous input. Self refresh is maintained as long as CKE is low.  |
| /CS                          | Input          | Chip Select: When /CS is high, any command means No Operation.   |
| /RAS, /CAS, /WE              | Input          | Combination of /RAS, /CAS, /WE defines basic commands.   |
| A0-12                        | Input          | A0-12 specify the Row / Column Address in conjunction with BA0,1. The Row Address is specified by A0-12. The Column Address is specified by A0-9(x8) and A0-8(x16). A10 is also used to indicate precharge option. When A10 is high at a read / write command, an auto precharge is performed. When A10 is high at a precharge command, all banks are precharged.            |
| BA0,1                        | Input          | Bank Address: BA0,1 specifies one of four banks to which a command is applied. BA0,1 must be set with ACT, PRE, READ, WRITE commands.  |
| DQ0-7 (x8),<br>DQ0-15 (x16), | Input / Output | Data Input/Output: Data bus  |
| DQS (x8)<br>UDQS, LDQS (x16) | Input / Output | Data Strobe: Output with read data, input with write data. Edge-aligned with read data, centered in write data. Used to capture write data. For the x16, LDQS corresponds to the data on DQ0-DQ7; UDQS correspond to the data on DQ8-DQ15  |
| DM (x8)<br>UDM, LDM (x16)    | Input          | Input Data Mask: DM is an input mask signal for write data. Input data is masked when DM is sampled HIGH along with that input data during a WRITE access. DM is sampled on both edges of DQS. Although DM pins are input only, the DM loading matches the DQ and DQS loading. For the x16, LDM corresponds to the data on DQ0-DQ7; UDM corresponds to the data on DQ8-DQ15. |
| VDD, VSS                     | Power Supply   | Power Supply for the memory array and peripheral circuitry.  |
| VDDQ, VSSQ                   | Power Supply   | VDDQ, and VSSQ are supplied to the Output Buffers only.  |
| Vref                         | Input          | SSTL_2 reference voltage.  |





## BASIC FUNCTIONS

ISSI's 256-Mbit DDR SDRAM provides basic functions, bank (row) activate, burst read / write, bank (row) precharge, and auto / self refresh. Each command is defined by control signals of /RAS, /CAS and /WE at CLK rising edge. In addition to 3 signals, /CS , CKE and A10 are used as chip select, refresh option, and precharge option, respectively. To know the detailed definition of commands, please see the command truth table.



### Activate (ACT) [/RAS =L, /CAS =/WE =H]

ACT command activates a row in an idle bank indicated by BA.

### Read (READ) [/RAS =H, /CAS =L, /WE =H]

READ command starts burst read from the active bank indicated by BA. First output data appears after /CAS latency. When A10 =H at this command, the bank is deactivated after the burst read (auto-precharge, **READA**)

### Write (WRITE) [/RAS =H, /CAS =/WE =L]

WRITE command starts burst write to the active bank indicated by BA. Total data length to be written is set by burst length. When A10 =H at this command, the bank is deactivated after the burst write (auto-precharge, **WRITEA**)

### Precharge (PRE) [/RAS =L, /CAS =H, /WE =L]

PRE command deactivates the active bank indicated by BA. This command also terminates burst read /write operation. When A10 =H at this command, all banks are deactivated (precharge all, **PREA** ).

### Auto-Refresh (REFA) [/RAS =/CAS =L, /WE =CKE =H]

REFA command starts auto-refresh cycle. Refresh address including bank address are generated internally. After this command, the banks are precharged automatically.

## COMMAND TRUTH TABLE

| COMMAND  | MNEMONIC | CKE <sub>n-1</sub> | CKE <sub>n</sub> | /CS | /RAS | /CAS | /WE | BA0,1 | A10<br>/AP | A0-9,<br>11-12 | note |
|--|----------|--------------------|------------------|-----|------|------|-----|-------|------------|----------------|------|
| Deselect   | DESEL    | H                  | X                | H   | X    | X    | X   | X     | X          | X              |      |
| No Operation                                     | NOP      | H                  | X                | L   | H    | H    | H   | X     | X          | X              |      |
| Row Address Entry & Bank Activate                | ACT      | H                  | H                | L   | L    | H    | H   | V     | V          | V              |      |
| Single Bank Precharge                            | PRE      | H                  | H                | L   | L    | H    | L   | V     | L          | X              |      |
| Precharge All Banks                              | PREA     | H                  | H                | L   | L    | H    | L   | X     | H          | X              |      |
| Column Address Entry & Write                     | WRITE    | H                  | H                | L   | H    | L    | L   | V     | L          | V              |      |
| Column Address Entry & Write with Auto-Precharge | WRITEA   | H                  | H                | L   | H    | L    | L   | V     | H          | V              |      |
| Column Address Entry & Read                      | READ     | H                  | H                | L   | H    | L    | H   | V     | L          | V              |      |
| Column Address Entry & Read with Auto-Precharge  | READA    | H                  | H                | L   | H    | L    | H   | V     | H          | V              |      |
| Auto-Refresh                                     | REFA     | H                  | H                | L   | L    | L    | H   | X     | X          | X              |      |
| Self-Refresh Entry                               | REFS     | H                  | L                | L   | L    | L    | H   | X     | X          | X              |      |
| Self-Refresh Exit                                | REFSX    | L                  | H                | H   | X    | X    | X   | X     | X          | X              |      |
|  |          | L                  | H                | L   | H    | H    | H   | X     | X          | X              |      |
| Burst Terminate                                  | TERM     | H                  | H                | L   | H    | H    | L   | X     | X          | X              | 1    |
| Mode Register Set                                | MRS      | H                  | H                | L   | L    | L    | L   | L     | L          | V              | 2    |

H=High Level, L=Low Level, V=Valid, X=Don't Care, n=CLK cycle number

### NOTE:

1. Applies only to read bursts with autoprecharge disabled; this command is undefined (and should not be used) for read bursts with autoprecharge enabled, and for write bursts.
2. BA0-BA1 select either the Base or the Extended Mode Register (BA0 = 0, BA1 = 0 selects Mode Register; BA0=1 , BA1 = 0 selects Extended Mode Register; other combinations of BA0-BA1 are reserved; A0-A12 provide the op-code to be written to the selected Mode Register.



## FUNCTION TRUTH TABLE

| Current State                 | /CS | /RAS | /CAS | /WE               | Address           | Command        | Action  | Notes |
|-------------------------------|-----|------|------|-------------------|-------------------|----------------|---|-------|
| IDLE                          | H   | X    | X    | X                 | X                 | DESEL          | NOP   |       |
|                               | L   | H    | H    | H                 | X                 | NOP            | NOP   |       |
|                               | L   | H    | H    | L                 | BA                | TERM           | ILLEGAL   | 2     |
|                               | L   | H    | L    | X                 | BA, CA, A10       | READ / WRITE   | ILLEGAL   | 2     |
|                               | L   | L    | H    | H                 | BA, RA            | ACT            | Bank Active, Latch RA   |       |
|                               | L   | L    | H    | L                 | BA, A10           | PRE / PREA     | NOP   | 4     |
|                               | L   | L    | L    | H                 | X                 | REFA           | Auto-Refresh  | 5     |
|                               | L   | L    | L    | L                 | Op-Code, Mode-Add | MRS            | Mode Register Set   | 5     |
| ROW ACTIVE                    | H   | X    | X    | X                 | X                 | DESEL          | NOP   |       |
|                               | L   | H    | H    | H                 | X                 | NOP            | NOP   |       |
|                               | L   | H    | H    | L                 | BA                | TERM           | ILLEGAL   |       |
|                               | L   | H    | L    | H                 | BA, CA, A10       | READ / READA   | Begin Read, Latch CA, Determine Auto-Precharge                      |       |
|                               | L   | H    | L    | L                 | BA, CA, A10       | WRITE / WRITEA | Begin Write, Latch CA, Determine Auto-Precharge                     |       |
|                               | L   | L    | H    | H                 | BA, RA            | ACT            | Bank Active / ILLEGAL   | 2     |
|                               | L   | L    | H    | L                 | BA, A10           | PRE / PREA     | Precharge / Precharge All   |       |
|                               | L   | L    | L    | H                 | X                 | REFA           | ILLEGAL   |       |
| READ(Auto-Precharge Disabled) | H   | X    | X    | X                 | X                 | DESEL          | NOP (Continue Burst to END)   |       |
|                               | L   | H    | H    | H                 | X                 | NOP            | NOP (Continue Burst to END)   |       |
|                               | L   | H    | H    | L                 | BA                | TERM           | Terminate Burst   |       |
|                               | L   | H    | L    | H                 | BA, CA, A10       | READ / READA   | Terminate Burst, Latch CA, Begin New Read, Determine Auto-Precharge | 3     |
|                               | L   | H    | L    | L                 | BA, CA, A10       | WRITE / WRITEA | ILLEGAL   |       |
|                               | L   | L    | H    | H                 | BA, RA            | ACT            | Bank Active / ILLEGAL   | 2     |
|                               | L   | L    | H    | L                 | BA, A10           | PRE / PREA     | Terminate Burst, Precharge  |       |
|                               | L   | L    | L    | H                 | X                 | REFA           | ILLEGAL   |       |
| L                             | L   | L    | L    | Op-Code, Mode-Add | MRS               | ILLEGAL        |   |       |

**FUNCTION TRUTH TABLE (continued)**

| Current State                  | /CS | /RAS | /CAS | /WE | Address           | Command        | Action   | Notes |
|--------------------------------|-----|------|------|-----|-------------------|----------------|--|-------|
| WRITE(Auto-Precharge Disabled) | H   | X    | X    | X   | X                 | DESEL          | NOP (Continue Burst to END)                                      |       |
|                                | L   | H    | H    | H   | X                 | NOP            | NOP (Continue Burst to END)                                      |       |
|                                | L   | H    | H    | L   | BA                | TERM           | ILLEGAL  |       |
|                                | L   | H    | L    | H   | BA, CA, A10       | READ / READA   | Terminate Burst, Latch CA, Begin Read, Determine Auto-Precharge  | 3     |
|                                | L   | H    | L    | L   | BA, CA, A10       | WRITE / WRITEA | Terminate Burst, Latch CA, Begin Write, Determine Auto-Precharge | 3     |
|                                | L   | L    | H    | H   | BA, RA            | ACT            | Bank Active / ILLEGAL  | 2     |
|                                | L   | L    | H    | L   | BA, A10           | PRE / PREA     | Terminate Burst, Precharge                                       |       |
|                                | L   | L    | L    | H   | X                 | REFA           | ILLEGAL  |       |
|                                | L   | L    | L    | L   | Op-Code, Mode-Add | MRS            | ILLEGAL  |       |
| READ with Auto-Precharge       | H   | X    | X    | X   | X                 | DESEL          | NOP (Continue Burst to END)                                      |       |
|                                | L   | H    | H    | H   | X                 | NOP            | NOP (Continue Burst to END)                                      |       |
|                                | L   | H    | H    | L   | BA                | TERM           | ILLEGAL  |       |
|                                | L   | H    | L    | H   | BA, CA, A10       | READ / READA   | ILLEGAL  |       |
|                                | L   | H    | L    | L   | BA, CA, A10       | WRITE / WRITEA | ILLEGAL  |       |
|                                | L   | L    | H    | H   | BA, RA            | ACT            | Bank Active / ILLEGAL  | 2     |
|                                | L   | L    | H    | L   | BA, A10           | PRE / PREA     | Precharge / ILLEGAL  | 2     |
|                                | L   | L    | L    | H   | X                 | REFA           | ILLEGAL  |       |
|                                | L   | L    | L    | L   | Op-Code, Mode-Add | MRS            | ILLEGAL  |       |
| WRITE with Auto-Precharge      | H   | X    | X    | X   | X                 | DESEL          | NOP (Continue Burst to END)                                      |       |
|                                | L   | H    | H    | H   | X                 | NOP            | NOP (Continue Burst to END)                                      |       |
|                                | L   | H    | H    | L   | BA                | TERM           | ILLEGAL  |       |
|                                | L   | H    | L    | H   | BA, CA, A10       | READ / READA   | ILLEGAL  |       |
|                                | L   | H    | L    | L   | BA, CA, A10       | WRITE / WRITEA | ILLEGAL  |       |
|                                | L   | L    | H    | H   | BA, RA            | ACT            | Bank Active / ILLEGAL  | 2     |
|                                | L   | L    | H    | L   | BA, A10           | PRE / PREA     | Precharge / ILLEGAL  | 2     |
|                                | L   | L    | L    | H   | X                 | REFA           | ILLEGAL  |       |
|                                | L   | L    | L    | L   | Op-Code, Mode-Add | MRS            | ILLEGAL  |       |

**FUNCTION TRUTH TABLE (continued)**

| Current State    | /CS | /RAS | /CAS | /WE               | Address           | Command      | Action                      | Notes |
|------------------|-----|------|------|-------------------|-------------------|--------------|-----------------------------|-------|
| PRE-CHARGING     | H   | X    | X    | X                 | X                 | DESEL        | NOP (Idle after tRP)        |       |
|                  | L   | H    | H    | H                 | X                 | NOP          | NOP (Idle after tRP)        |       |
|                  | L   | H    | H    | L                 | BA                | TERM         | ILLEGAL                     | 2     |
|                  | L   | H    | L    | X                 | BA, CA, A10       | READ / WRITE | ILLEGAL                     | 2     |
|                  | L   | L    | H    | H                 | BA, RA            | ACT          | ILLEGAL                     | 2     |
|                  | L   | L    | H    | L                 | BA, A10           | PRE / PREA   | NOP (Idle after tRP)        | 4     |
|                  | L   | L    | L    | H                 | X                 | REFA         | ILLEGAL                     |       |
| ROW ACTIVATING   | L   | L    | L    | L                 | Op-Code, Mode-Add | MRS          | ILLEGAL                     |       |
|                  | H   | X    | X    | X                 | X                 | DESEL        | NOP (Row Active after tRCD) |       |
|                  | L   | H    | H    | H                 | X                 | NOP          | NOP (Row Active after tRCD) |       |
|                  | L   | H    | H    | L                 | BA                | TERM         | ILLEGAL                     | 2     |
|                  | L   | H    | L    | X                 | BA, CA, A10       | READ / WRITE | ILLEGAL                     | 2     |
|                  | L   | L    | H    | H                 | BA, RA            | ACT          | ILLEGAL                     | 2     |
|                  | L   | L    | H    | L                 | BA, A10           | PRE / PREA   | ILLEGAL                     | 2     |
| WRITE RECOVERING | L   | L    | L    | H                 | X                 | REFA         | ILLEGAL                     |       |
|                  | L   | L    | L    | L                 | Op-Code, Mode-Add | MRS          | ILLEGAL                     |       |
|                  | H   | X    | X    | X                 | X                 | DESEL        | NOP                         |       |
|                  | L   | H    | H    | H                 | X                 | NOP          | NOP                         |       |
|                  | L   | H    | H    | L                 | BA                | TERM         | ILLEGAL                     | 2     |
|                  | L   | H    | L    | X                 | BA, CA, A10       | READ / WRITE | ILLEGAL                     | 2     |
|                  | L   | L    | H    | H                 | BA, RA            | ACT          | ILLEGAL                     | 2     |
| L                | L   | H    | L    | BA, A10           | PRE / PREA        | ILLEGAL      | 2                           |       |
| L                | L   | L    | H    | X                 | REFA              | ILLEGAL      |                             |       |
| L                | L   | L    | L    | Op-Code, Mode-Add | MRS               | ILLEGAL      |                             |       |

**FUNCTION TRUTH TABLE (continued)**

| Current State         | /CS | /RAS | /CAS | /WE | Address           | Command      | Action                      | Notes |
|-----------------------|-----|------|------|-----|-------------------|--------------|-----------------------------|-------|
| REFRESHING            | H   | X    | X    | X   | X                 | DESEL        | NOP (Idle after tRC)        |       |
|                       | L   | H    | H    | H   | X                 | NOP          | NOP (Idle after tRC)        |       |
|                       | L   | H    | H    | L   | BA                | TERM         | ILLEGAL                     |       |
|                       | L   | H    | L    | X   | BA, CA, A10       | READ / WRITE | ILLEGAL                     |       |
|                       | L   | L    | H    | H   | BA, RA            | ACT          | ILLEGAL                     |       |
|                       | L   | L    | H    | L   | BA, A10           | PRE / PREA   | ILLEGAL                     |       |
|                       | L   | L    | L    | H   | X                 | REFA         | ILLEGAL                     |       |
|                       | L   | L    | L    | L   | Op-Code, Mode-Add | MRS          | ILLEGAL                     |       |
| MODE REGISTER SETTING | H   | X    | X    | X   | X                 | DESEL        | NOP (Row Active after tRSC) |       |
|                       | L   | H    | H    | H   | X                 | NOP          | NOP (Row Active after tRSC) |       |
|                       | L   | H    | H    | L   | BA                | TERM         | ILLEGAL                     |       |
|                       | L   | H    | L    | X   | BA, CA, A10       | READ / WRITE | ILLEGAL                     |       |
|                       | L   | L    | H    | H   | BA, RA            | ACT          | ILLEGAL                     |       |
|                       | L   | L    | H    | L   | BA, A10           | PRE / PREA   | ILLEGAL                     |       |
|                       | L   | L    | L    | H   | X                 | REFA         | ILLEGAL                     |       |
|                       | L   | L    | L    | L   | Op-Code, Mode-Add | MRS          | ILLEGAL                     |       |

ABBREVIATIONS:

H=High Level, L=Low Level, X=Don't Care

BA=Bank Address, RA=Row Address, CA=Column Address, NOP=No Operation

NOTES:

1. All entries assume that CKE was High during the preceding clock cycle and the current clock cycle.
2. ILLEGAL to bank in specified state; function may be legal in the bank indicated by BA, depending on the state of that bank.
3. Must satisfy bus contention, bus turn around, write recovery requirements.
4. NOP to bank precharging or in idle state. May precharge bank indicated by BA.
5. ILLEGAL if any bank is not idle.

ILLEGAL = Device operation and/or data-integrity are not guaranteed.

## FUNCTION TRUTH TABLE for CKE

| Current State                     | CKE n-1 | CKE n | /CS | /RAS | /CAS | /WE | Address | Action                             | Notes |
|-----------------------------------|---------|-------|-----|------|------|-----|---------|------------------------------------|-------|
| SELF-REFRESHING                   | H       | X     | X   | X    | X    | X   | X       | INVALID                            | 1     |
|                                   | L       | H     | H   | X    | X    | X   | X       | Exit Self-Refresh (Idle after tRC) | 1     |
|                                   | L       | H     | L   | H    | H    | H   | X       | Exit Self-Refresh (Idle after tRC) | 1     |
|                                   | L       | H     | L   | H    | H    | L   | X       | ILLEGAL                            | 1     |
|                                   | L       | H     | L   | H    | L    | X   | X       | ILLEGAL                            | 1     |
|                                   | L       | H     | L   | L    | X    | X   | X       | ILLEGAL                            | 1     |
|                                   | L       | L     | X   | X    | X    | X   | X       | NOP (Maintain Self-Refresh)        | 1     |
| POWER DOWN                        | H       | X     | X   | X    | X    | X   | X       | INVALID                            |       |
|                                   | L       | H     | X   | X    | X    | X   | X       | Exit Power Down to Idle            |       |
|                                   | L       | L     | X   | X    | X    | X   | X       | NOP (Maintain Self-Refresh)        |       |
| ALL BANKS IDLE                    | H       | H     | X   | X    | X    | X   | X       | Refer to Function Truth Table      | 2     |
|                                   | H       | L     | L   | L    | L    | H   | X       | Enter Self-Refresh                 | 2     |
|                                   | H       | L     | H   | X    | X    | X   | X       | Enter Power Down                   | 2     |
|                                   | H       | L     | L   | H    | H    | H   | X       | Enter Power Down                   | 2     |
|                                   | H       | L     | L   | H    | H    | L   | X       | ILLEGAL                            | 2     |
|                                   | H       | L     | L   | H    | L    | X   | X       | ILLEGAL                            | 2     |
|                                   | H       | L     | L   | L    | X    | X   | X       | ILLEGAL                            | 2     |
|                                   | L       | X     | X   | X    | X    | X   | X       | Refer to Current State =Power Down | 2     |
| ANY STATE other than listed above | H       | H     | X   | X    | X    | X   | X       | Refer to Function Truth Table      |       |
|                                   | H       | L     | X   | X    | X    | X   | X       | Begin CLK Suspend at Next Cycle    | 3     |
|                                   | L       | H     | X   | X    | X    | X   | X       | Exit CLK Suspend at Next Cycle     | 3     |
|                                   | L       | L     | X   | X    | X    | X   | X       | Maintain CLK Suspend               |       |

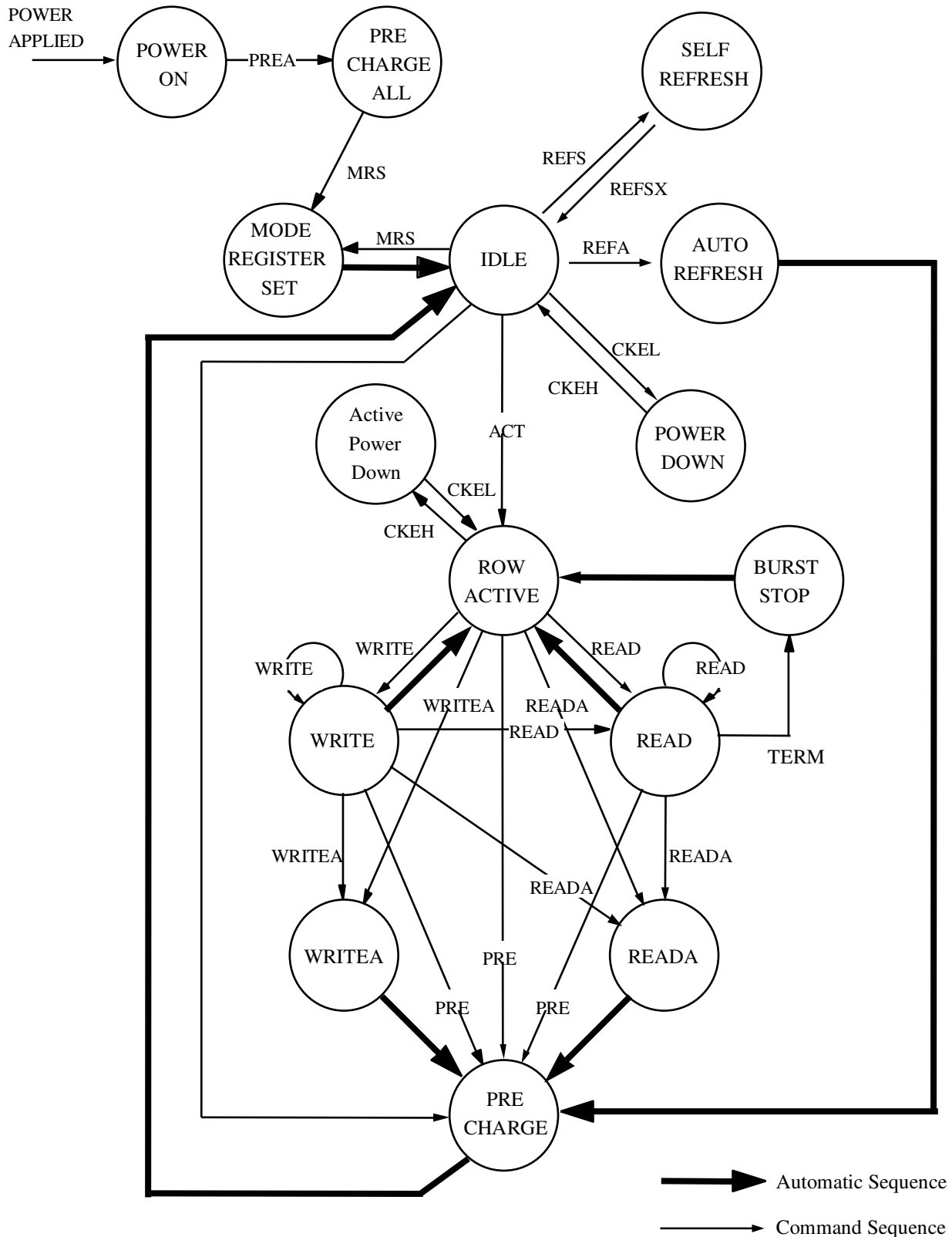
### ABBREVIATIONS:

H=High Level, L=Low Level, X=Don't Care

### NOTES:

1. CKE Low to High transition will re-enable CLK and other inputs asynchronously.  
A minimum setup time must be satisfied before any command other than EXIT.
2. Power-Down and Self-Refresh can be entered only from the All Banks Idle State.
3. Must be legal command.

### SIMPLIFIED STATE DIAGRAM



## POWER ON SEQUENCE

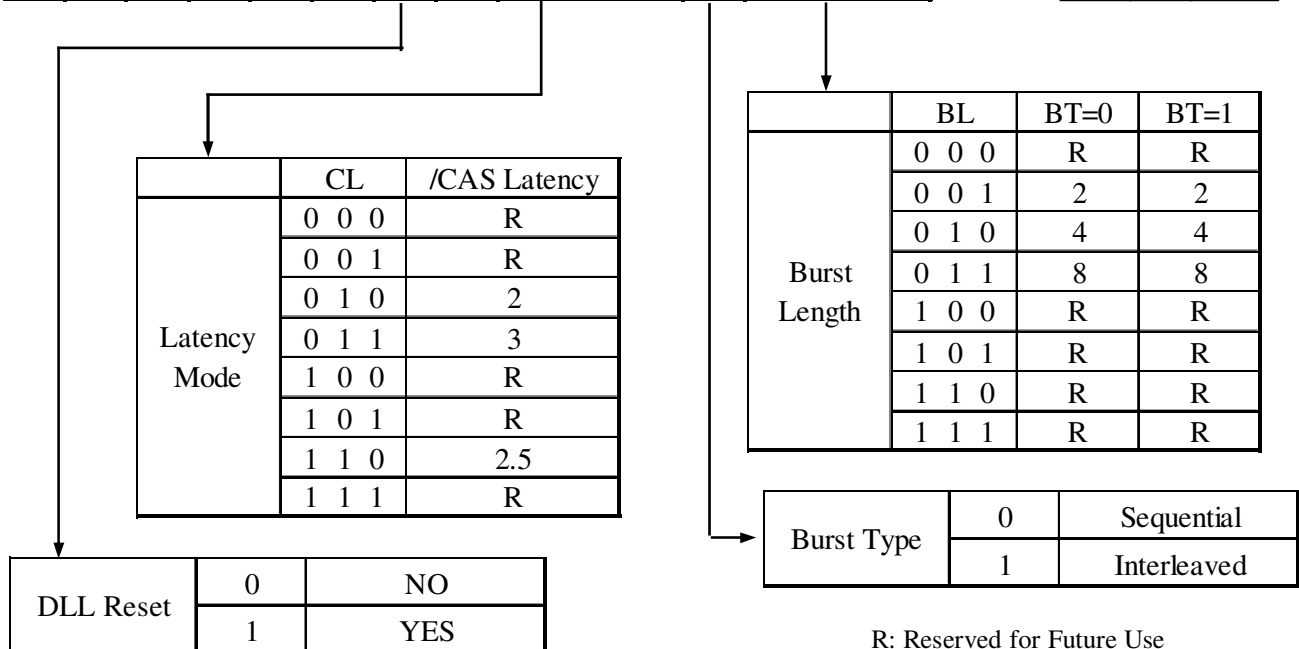
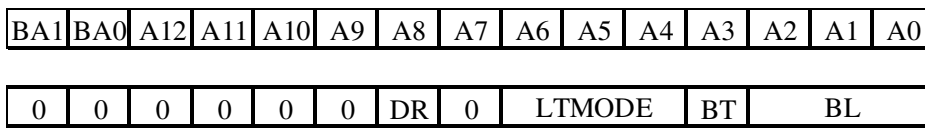
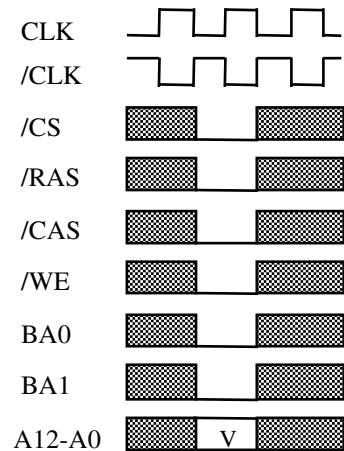
Before starting normal operation, the following power on sequence is necessary to prevent a SDRAM from damaged or multifunctioning.

1. Apply VDD before or the same time as VDDQ
2. Apply VDDQ before or at the same time as VTT & Vref
3. Maintain stable condition for 200us after stable power and CLK, apply NOP or DSEL
4. Issue precharge command for all banks of the device
5. Issue EMRS
6. Issue MRS for the Mode Register and to reset the DLL
7. Issue 2 or more Auto Refresh commands
8. Maintain stable condition for 200 cycle

After these sequence, the DDR SDRAM is idle state and ready for normal operation.

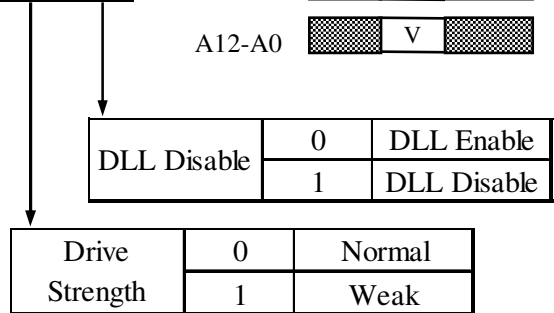
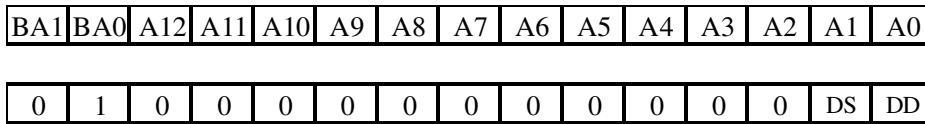
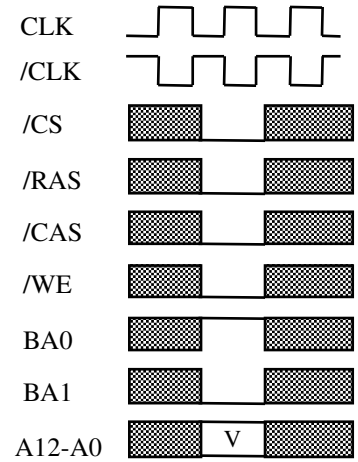
## MODE REGISTER

Burst Length, Burst Type and /CAS Latency can be programmed by setting the mode register (MRS). The mode register stores these data until the next MRS command, which may be issued when all banks are in idle state. After tMRD from a MRS command, the DDR SDRAM is ready for new command.

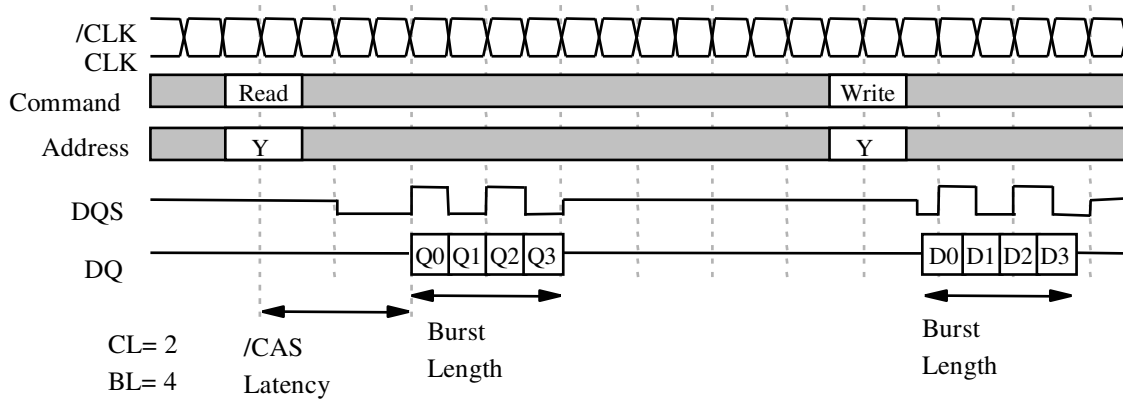


## EXTENDED MODE REGISTER

DLL disable / enable mode can be programmed by setting the extended mode register (EMRS). The extended mode register stores these data until the next EMRS command, which may be issued when all banks are in idle state. After tMRD from a EMRS command, the DDR SDRAM is ready for new command.







| Initial Address |    |    | BL | Column Addressing |   |   |   |   |   |   |   |             |   |   |   |   |   |   |   |
|-----------------|----|----|----|-------------------|---|---|---|---|---|---|---|-------------|---|---|---|---|---|---|---|
| A2              | A1 | A0 |    | Sequential        |   |   |   |   |   |   |   | Interleaved |   |   |   |   |   |   |   |
| 0               | 0  | 0  | 8  | 0                 | 1 | 2 | 3 | 4 | 5 | 6 | 7 | 0           | 1 | 2 | 3 | 4 | 5 | 6 | 7 |
| 0               | 0  | 1  |    | 1                 | 2 | 3 | 4 | 5 | 6 | 7 | 0 | 1           | 0 | 3 | 2 | 5 | 4 | 7 | 6 |
| 0               | 1  | 0  |    | 2                 | 3 | 4 | 5 | 6 | 7 | 0 | 1 | 2           | 3 | 0 | 1 | 6 | 7 | 4 | 5 |
| 0               | 1  | 1  |    | 3                 | 4 | 5 | 6 | 7 | 0 | 1 | 2 | 3           | 2 | 1 | 0 | 7 | 6 | 5 | 4 |
| 1               | 0  | 0  |    | 4                 | 5 | 6 | 7 | 0 | 1 | 2 | 3 | 4           | 5 | 6 | 7 | 0 | 1 | 2 | 3 |
| 1               | 0  | 1  |    | 5                 | 6 | 7 | 0 | 1 | 2 | 3 | 4 | 5           | 4 | 7 | 6 | 1 | 0 | 3 | 2 |
| 1               | 1  | 0  |    | 6                 | 7 | 0 | 1 | 2 | 3 | 4 | 5 | 6           | 7 | 4 | 5 | 2 | 3 | 0 | 1 |
| 1               | 1  | 1  |    | 7                 | 0 | 1 | 2 | 3 | 4 | 5 | 6 | 7           | 6 | 5 | 4 | 3 | 2 | 1 | 0 |
| -               | 0  | 0  | 4  | 0                 | 1 | 2 | 3 |   |   |   |   | 0           | 1 | 2 | 3 |   |   |   |   |
| -               | 0  | 1  |    | 1                 | 2 | 3 | 0 |   |   |   |   | 1           | 0 | 3 | 2 |   |   |   |   |
| -               | 1  | 0  |    | 2                 | 3 | 0 | 1 |   |   |   |   | 2           | 3 | 0 | 1 |   |   |   |   |
| -               | 1  | 1  |    | 3                 | 0 | 1 | 2 |   |   |   |   | 3           | 2 | 1 | 0 |   |   |   |   |
| -               | -  | 0  | 2  | 0                 | 1 |   |   |   |   |   |   | 0           | 1 |   |   |   |   |   |   |
| -               | -  | 1  |    | 1                 | 0 |   |   |   |   |   |   | 1           | 0 |   |   |   |   |   |   |

## ABSOLUTE MAXIMUM RATINGS

| Symbol | Parameter                 | Conditions   | Ratings                             | Unit |
|--------|---------------------------|--|-------------------------------------|------|
| Vdd    | Supply Voltage            | with respect to Vss  | -0.5 ~ 3.7                          | V    |
| VddQ   | Supply Voltage for Output | with respect to VssQ   | -0.5 ~ 3.7                          | V    |
| VI     | Input Voltage             | with respect to Vss  | -0.5 ~ VDD+0.5                      | V    |
| VO     | Output Voltage            | with respect to VssQ   | -0.5 ~ VDDQ+0.5                     | V    |
| IO     | Output Current            |  | 50                                  | mA   |
| Pd     | Power Dissipation         | Ta = 25 °C   | 1500                                | mW   |
| Topr   | Operating Temperature     | Commercial Temperature<br>Industrial Temperature<br>Automotive Temperature | 0 to 70<br>-40 to +85<br>-40 to +85 | °C   |
| Tstg   | Storage Temperature       |  | -65 ~ 150                           | °C   |

## DC OPERATING CONDITIONS

(Ta=0 ~ 70°C for Commercial. Ta = -40 ~ +85°C for Industrial and Automotive)

| Symbol  | Parameter   | Limits    |          |           | Unit | Notes |
|---------|---|-----------|----------|-----------|------|-------|
|         |   | Min.      | Typ.     | Max.      |      |       |
| Vdd     | Supply Voltage  | 2.3       | 2.5      | 2.7       | V    |       |
| VddQ    | I/O Supply Voltage  | 2.3       | 2.5      | 2.7       | V    |       |
| VREF    | I/O Reference Voltage   | 0.49*VddQ | 0.5*VddQ | 0.51*VddQ | V    |       |
| VTT     | I/O Termination Voltage   | VREF-0.04 | VREF     | VREF+0.04 | V    |       |
| VIH(DC) | Input High Voltage  | Vref+0.15 |          | Vdd+0.3   | V    |       |
| VIL(DC) | Input Low Voltage   | -0.3      |          | Vref-0.15 | V    |       |
| VIN(DC) | Input Voltage Level, CK and /CK inputs  | -0.3      |          | VddQ+0.3  | V    |       |
| VID(DC) | Input Differential Voltage, CK and /CK inputs                                       | 0.36      |          | VddQ+0.6  | V    |       |
| IL      | Input Leakage Current, Any input 0V<VIN<VDD<br>(All other pins not under test = 0V) | -2        | —        | 2         | uA   |       |
| IOZ     | Output Leakage Current<br>DQs are disabled ; 0V<Vout<VddQ                           | -5        | —        | 5         | uA   |       |
| IOH     | Output High Current (VOUT=1.95V)  | -16.2     | —        | —         | mA   |       |
| IOL     | Output Low Current (VOUT=0.35V)   | 16.2      | —        | —         | mA   |       |

## AC OPERATING CONDITIONS

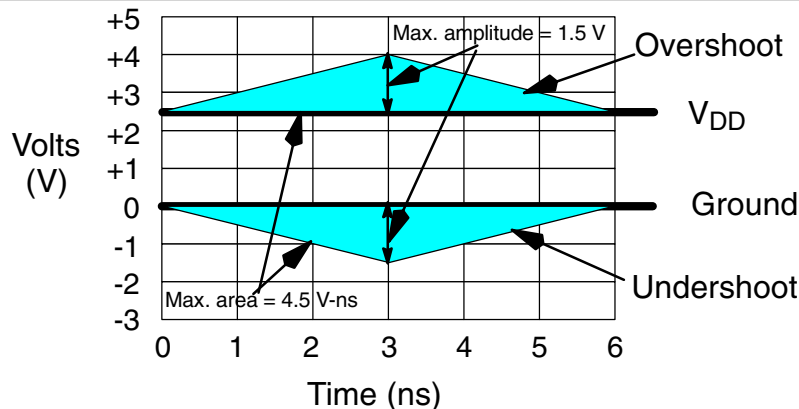
(Ta=0 ~ 70°C for Commercial. Ta = -40 ~ +85°C for Industrial and Automotive)

(Vdd = VddQ = 2.5V ± 0.2V, Vss = VssQ = 0V, unless otherwise noted)

| Symbol  | Parameter                                       | Limits       |          |              | Unit | Notes |
|---------|---|--------------|----------|--------------|------|-------|
|         |   | Min.         | Typ.     | Max.         |      |       |
| VIH(AC) | Input High Voltage                              | Vref+0.31    |          |              | V    |       |
| VIL(AC) | Input Low Voltage                               |              |          | Vref-0.31    | V    |       |
| VID(AC) | Input Differential Voltage, CK and /CK inputs   | 0.7          |          | VddQ+0.6     | V    |       |
| VIX(AC) | Input Crossing Point Voltage, CK and /CK inputs | 0.5*VddQ-0.2 | 0.5*VddQ | 0.5*VddQ-0.2 | V    |       |

**AC Overshoot/Undershoot Specification for Address and Control Pins**

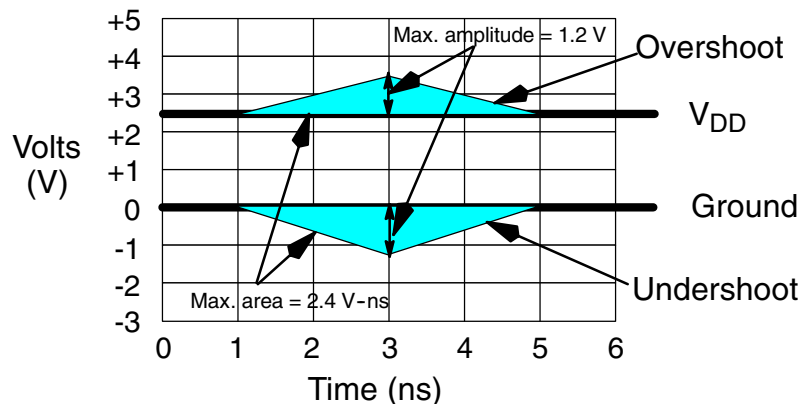
| Parameter  | Max. | Unit |
|--|------|------|
| Peak amplitude allowed for overshoot                                     | 1.5  | V    |
| Peak amplitude allowed for undershoot                                    | 1.5  | V    |
| Area between the overshoot signal and VDD must be less than or equal to  | 4.5  | V-ns |
| Area between the undershoot signal and GND must be less than or equal to | 4.5  | V-ns |



**Address and Control AC Overshoot and Undershoot Definition**

**Overshoot/Undershoot Specification for Data, Strobe, and Mask Pins**

| Parameter  | Max | Unit |
|--|-----|------|
| Peak amplitude allowed for overshoot                                     | 1.2 | V    |
| Peak amplitude allowed for undershoot                                    | 1.2 | V    |
| Area between the overshoot signal and VDD must be less than or equal to  | 2.4 | V-ns |
| Area between the undershoot signal and GND must be less than or equal to | 2.4 | V-ns |



**DQ/DM/DQS AC Overshoot and Undershoot Definition**

## AVERAGE SUPPLY CURRENT from Vdd

(Vdd = VddQ = 2.5V ± 0.2V, Vss = VssQ = 0V, Output Open, unless otherwise noted)

| Symbol | Parameter/Test Conditions  | Limits(Max.) |     |     | Unit | Notes |
|--------|--|--------------|-----|-----|------|-------|
|        |  | -5           | -6  | -75 |      |       |
| IDD1   | OPERATING CURRENT: One Bank; Active-Read-Precharge;Burst = 2; t RC = t RC MIN; t CK = t CK MIN; IOUT= 0mA; Address and control inputs changing once per clock cycle  | 185          | 165 | 150 | mA   |       |
| IDD2P  | PRECHARGE POWER-DOWN STANDBY CURRENT: All banks idle; power-down mode; CKE ≤ VIL (MAX); t CK = t CK MIN  | 30           | 25  | 20  |      |       |
| IDD2N  | IDLE STANDBY CURRENT: /CS ≥ VIH (MIN); All banks idle; CKE ≥ VIH (MIN); t CK = t CK MIN; Address and other control inputs changing once per clock cycle  | 60           | 55  | 50  |      |       |
| IDD3P  | ACTIVE POWER DOWN STANDBY CURRENT: One bank active;power down mode;CKE ≤ VIL(MAX);t CK = t CK MIN  | 50           | 45  | 40  |      |       |
| IDD3N  | ACTIVE STANDBY CURRENT: /CS ≥ VIH (MIN); CKE ≥ VIH (MIN); One bank; Active-Precharge; t RC = t RAS MAX; t CK = t CK MIN; DQ,DM and DQS inputs changing twice per clock cycle; address and other control inputs changing once per clock cycle | 95           | 90  | 75  |      |       |
| IDD4R  | OPERATING CURRENT: Burst =2; Read ; Continuous burst;All banks active; Address and control inputs changing once per clock cycle;t CK = t CK MIN; IOUT = 0 mA   | 290          | 250 | 210 |      |       |
| IDD4W  | OPERATING CURRENT: Burst =2; Write ; Continuous burst;All banks active; Address and control inputs changing once per clock cycle;t CK = t CK MIN; DQ and DQS inputs changing twice per clock cycle   | 290          | 250 | 210 |      |       |
| IDD5   | AUTO REFRESH CURRENT: t RC = t RFC (MIN)   | 170          | 160 | 150 |      |       |
| IDD6   | SELF REFRESH CURRENT: CKE ≤ 0.2V   | 5            | 5   | 5   |      |       |

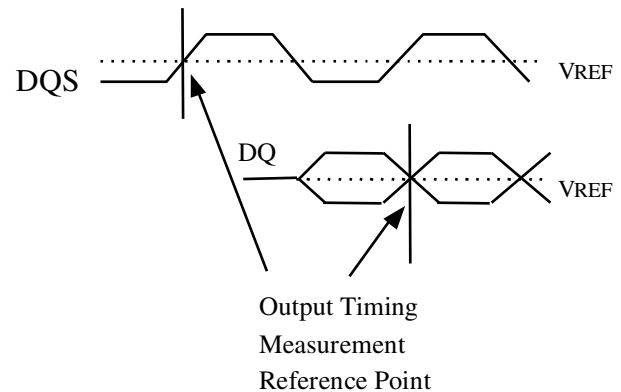
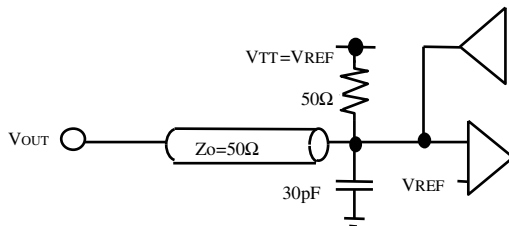
## AC TIMING REQUIREMENTS

| Symbol | AC Characteristics Parameter                            | -5               |                       | -6               |          | -75              |          | Unit | Notes |  |
|--------|---|------------------|-----------------------|------------------|----------|------------------|----------|------|-------|--|
|        |   | Min.             | Max                   | Min.             | Max      | Min.             | Max      |      |       |  |
| tAC    | DQ Output access time from CLK//CLK                     | -0.70            | +0.70                 | -0.70            | +0.70    | -0.75            | +0.75    | ns   |       |  |
| tDQCK  | DQS Output access time from CLK//CLK                    | -0.6             | +0.6                  | -0.60            | +0.60    | -0.75            | +0.75    | ns   |       |  |
| tCH    | CLK High level width                                    | 0.45             | 0.55                  | 0.45             | 0.55     | 0.45             | 0.55     | tCK  |       |  |
| tCL    | CLK Low level width                                     | 0.45             | 0.55                  | 0.45             | 0.55     | 0.45             | 0.55     | tCK  |       |  |
| tCK    | CLK cycle time  | CL=3.0           | 5                     | 7.5              | 6        | 12               | 7.5      | 12   | ns    |  |
|        |   | CL=2.5           | 5                     | 12               | 6        | 12               | 7.5      | 12   | ns    |  |
|        |   | CL=2.0           | 7.5                   | 12               | 7.5      | 12               | 7.5      | 12   | ns    |  |
| tDS    | Input Setup time (DQ,DM)                                | 0.4              |                       | 0.45             |          | 0.5              |          | ns   |       |  |
| tDH    | Input Hold time(DQ,DM)                                  | 0.4              |                       | 0.45             |          | 0.5              |          | ns   |       |  |
| tPW    | Control & address input pulse width (for each input)    | 2.2              |                       | 2.2              |          | 2.2              |          | ns   |       |  |
| tDIPW  | DQ and DM input pulse width (for each input)            | 1.75             |                       | 1.75             |          | 1.75             |          | ns   |       |  |
| tHZ    | Data-out-high impedance time from CLK//CLK              |                  | +0.70                 |                  | +0.70    |                  | +0.75    | ns   | 14    |  |
| tLZ    | Data-out-low impedance time from CLK//CLK               | -0.70            | +0.70                 | -0.70            | +0.70    | -0.75            | +0.75    | ns   | 14    |  |
| tDQSQ  | DQ Valid data delay time from DQS                       |                  | 0.40                  |                  | 0.45     |                  | 0.5      | ns   |       |  |
| tHP    | Clock half period                                       | tCLmin or tCHmin |                       | tCLmin or tCHmin |          | tCLmin or tCHmin |          | ns   | 20    |  |
| tQH    | DQ output hold time from DQS (per access)               | tHP-tQHS         |                       | tHP-tQHS         |          | tHP-tQHS         |          | ns   |       |  |
| tQHS   | Data hold skew factor (for DQS & associated DQ signals) |                  | 0.50                  |                  | 0.55     |                  | 0.75     |      |       |  |
| tDQSS  | Write command to first DQS latching transition          | 0.72             | 1.25                  | 0.75             | 1.25     | 0.75             | 1.25     | tCK  |       |  |
| tDQSH  | DQS input High level width                              | 0.35             |                       | 0.35             |          | 0.35             |          | tCK  |       |  |
| tDQSL  | DQS input Low level width                               | 0.35             |                       | 0.35             |          | 0.35             |          | tCK  |       |  |
| tDSS   | DQS falling edge to CLK setup time                      | 0.2              |                       | 0.2              |          | 0.2              |          | tCK  |       |  |
| tDSH   | DQS falling edge hold time from CLK                     | 0.2              |                       | 0.2              |          | 0.2              |          | tCK  |       |  |
| tMRD   | Mode Register Set command cycle time                    | 2                |                       | 2                |          | 2                |          | tCK  |       |  |
| tWPRES | Write preamble setup time                               | 0                |                       | 0                |          | 0                |          | ns   | 16    |  |
| tWPST  | Write postamble   | 0.4              | 0.6                   | 0.4              | 0.6      | 0.4              | 0.6      | tCK  | 15    |  |
| tWPRE  | Write preamble  |                  | max (0.25*tck, 1.5ns) |                  | 0.25*tck |                  | 0.25*tck | ns   |       |  |
| tIS    | Input Setup time (address and control)                  | 0.6              |                       | 0.75             |          | 0.9              |          | ns   | 19    |  |
| tIH    | Input Hold time (address and control)                   | 0.6              |                       | 0.75             |          | 0.9              |          | ns   | 19    |  |
| tRPST  | Read postamble  | 0.4              | 0.6                   | 0.4              | 0.6      | 0.4              | 0.6      | tCK  |       |  |
| tRPRE  | Read preamble   | 0.9              | 1.1                   | 0.9              | 1.1      | 0.9              | 1.1      | tCK  |       |  |

## AC TIMING REQUIREMENTS(Continues)

| Symbol | AC Characteristics Parameter                   | -5   |         | -6   |         | -75  |         | Unit | Notes |
|--------|--|------|---------|------|---------|------|---------|------|-------|
|        |  | Min. | Max     | Min. | Max     | Min. | Max     |      |       |
| tRAS   | Row Active time                                | 40   | 120,000 | 42   | 120,000 | 45   | 120,000 | ns   |       |
| tRC    | Row Cycle time(operation)                      | 55   |         | 60   |         | 65   |         | ns   |       |
| tRFC   | Auto Ref. to Active/Auto Ref. command period   | 70   |         | 72   |         | 75   |         | ns   |       |
| tRCD   | Row to Column Delay                            | 15   |         | 18   |         | 20   |         | ns   |       |
| tRP    | Row Precharge time                             | 15   |         | 18   |         | 20   |         | ns   |       |
| tRRD   | Act to Act Delay time                          | 10   |         | 12   |         | 15   |         | ns   |       |
| tWR    | Write Recovery time                            | 15   |         | 15   |         | 15   |         | ns   |       |
| tDAL   | Auto Precharge write recovery + precharge time | —    |         | —    |         | —    |         | tCK  | 21    |
| tWTR   | Internal Write to Read Command Delay           | 2    |         | 1    |         | 1    |         | tCK  |       |
| tXSNR  | Exit Self Ref. to non-Read command             | 75   |         | 75   |         | 75   |         | ns   |       |
| tXSRD  | Exit Self Ref. to -Read command                | 200  |         | 200  |         | 200  |         | tCK  |       |
| tXPNR  | Exit Power down to command                     | 1    |         | 1    |         | 1    |         | tCK  |       |
| tXPRD  | Exit Power down to -Read command               | 1    |         | 1    |         | 1    |         | tCK  | 18    |
| tREFI  | Average Periodic Refresh interval              |      | 7.8     |      | 7.8     |      | 7.8     | μs   | 17    |

### Output Load Condition



## CAPACITANCE

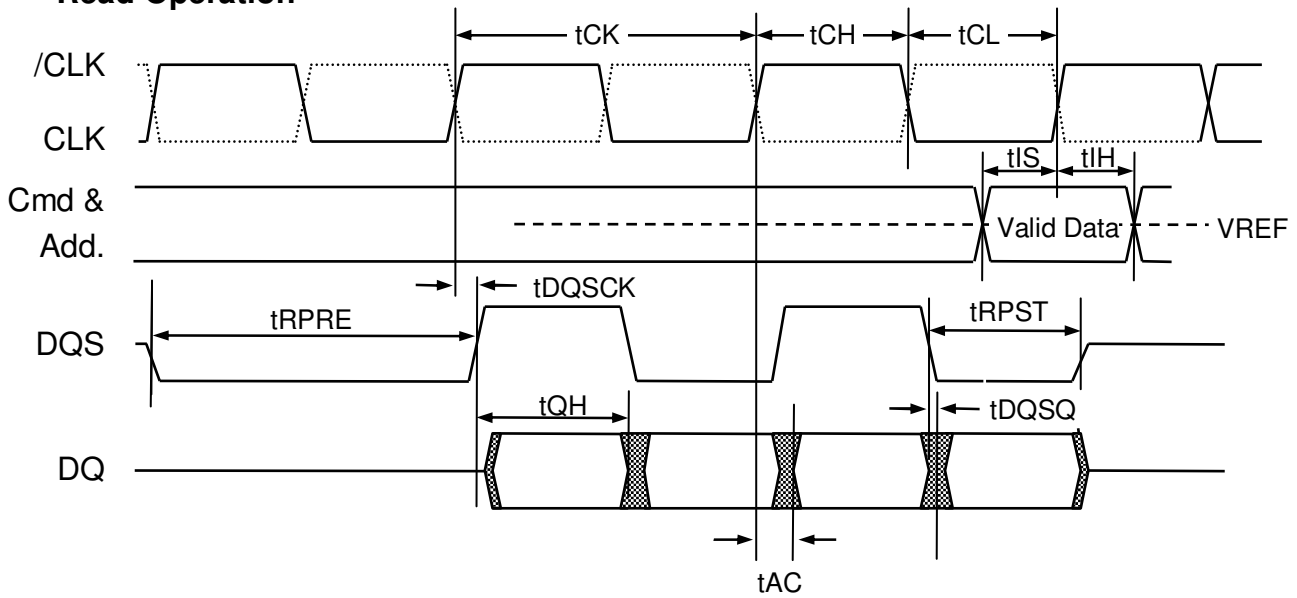
(Ta=25°C, Vdd = VddQ = 2.5V ± 0.2V Vss = VssQ = 0V, unless otherwise noted)

| Symbol | Parameter                         | Test Condition | Limits |      | Delta Cap.(Max.) | Unit | Notes |
|--------|-----------------------------------|----------------|--------|------|------------------|------|-------|
|        |                                   |                | Min.   | Max. |                  |      |       |
| CI(A)  | Input Capacitance, address pin    | VI=1.25v       | 1.3    | 2.5  | 0.75             | pF   |       |
| CI(C)  | Input Capacitance, control pin    | f=100MHz       | 1.3    | 2.5  |                  |      |       |
| CI(K)  | Input Capacitance, CLK pin        | VI=25mVrms     | 1.3    | 2.5  | 0.25             | pF   |       |
| CI/O   | I/O Capacitance, I/O, DQS, DM pin |                | 2      | 4    | 1.3              | pF   |       |

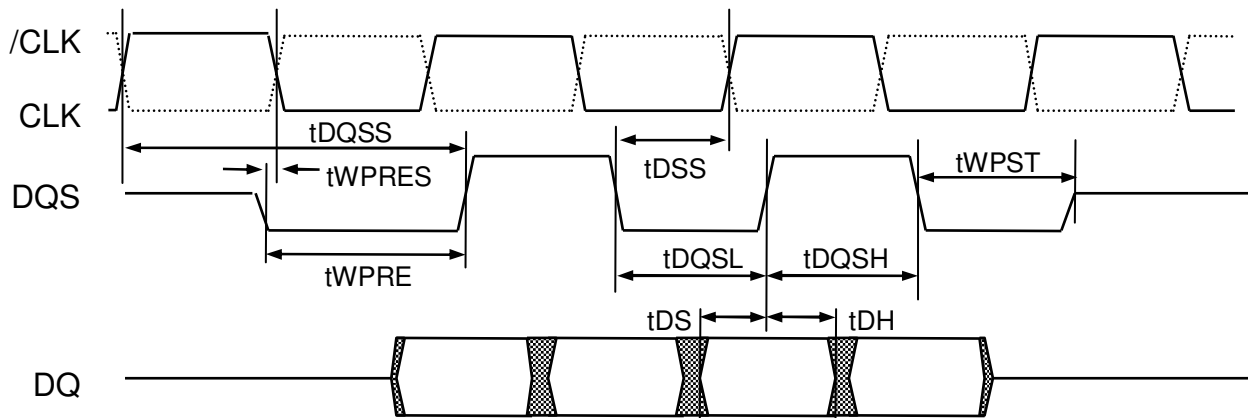
Notes

1. All voltages referenced to Vss.
2. Tests for AC timing, IDD, and electrical, AC and DC characteristics, may be conducted at nominal reference/supply voltage levels, but the related specifications and device operation are guaranteed for the full voltage range specified.
3. AC timing and IDD tests may use a VIL to VIH swing of up to 1.5V in the test environment, but input timing is still referenced to VREF (or to the crossing point for CK//CK), and parameter specifications are guaranteed for the specified AC input levels under normal use conditions. The minimum slew rate for the input signals is 1V/ns in the range between VIL(AC) and VIH(AC).
4. The AC and DC input level specifications are as defined in the SSTL\_2 Standard (i.e. the receiver will effectively switch as a result of the signal crossing the AC input level, and will remain in that state as long as the signal does not ring back above (below) the DC input LOW (HIGH) level.
5. VREF is expected to be equal to  $0.5 \cdot V_{ddQ}$  of the transmitting device, and to track variations in the DC level of the same. Peak-to-peak noise on VREF may not exceed  $\pm 2\%$  of the DC value.
6. VTT is not applied directly to the device. VTT is a system supply for signal termination resistors, is expected to be set equal to VREF, and must track variations in the DC level of VREF.
7. VID is the magnitude of the difference between the input level on CLK and the input level on /CLK.
8. The value of VIX is expected to equal  $0.5 \cdot V_{ddQ}$  of the transmitting device and must track variations in the DC level of the same.
9. Enables on-chip refresh and address counters.
10. IDD specifications are tested after the device is properly initialized.
11. This parameter is sampled.  $V_{ddQ} = 2.5V \pm 0.2V$ ,  $V_{dd} = 2.5V \pm 0.2V$ ,  $f = 100 \text{ MHz}$ ,  $T_a = 25^\circ\text{C}$ ,  $V_{OUT}(\text{DC}) = V_{ddQ}/2$ ,  $V_{OUT}(\text{PEAK TO PEAK}) = 25\text{mV}$ . DM inputs are grouped with I/O pins - reflecting the fact that they are matched in loading (to facilitate trace matching at the board level).
12. The CLK//CLK input reference level (for timing referenced to CLK//CLK) is the point at which CLK and /CLK cross; the input reference level for signals other than CLK//CLK, is VREF.
13. Inputs are not recognized as valid until VREF stabilizes. Exception: during the period before VREF stabilizes,  $\text{CKE} \leq 0.3V_{ddQ}$  is recognized as LOW.
14. tHZ and tLZ transitions occur in the same access time windows as valid data transitions. These parameters are not referenced to a specific voltage level, but specify when the device output is no longer driving (HZ), or begins driving (LZ).
15. The maximum limit for this parameter is not a device limit. The device will operate with a greater value for this parameter, but system performance (bus turnaround) will degrade accordingly.
16. The specific requirement is that DQS be valid (HIGH, LOW, or at some point on a valid transition) on or before this CLK edge. A valid transition is defined as monotonic, and meeting the input slew rate specifications of the device. When no writes were previously in progress on the bus, DQS will be transitioning from High-Z to logic LOW. If a previous write was in progress, DQS could be HIGH, LOW, or transitioning from HIGH to LOW at this time, depending on tDQSS.
17. A maximum of eight AUTO REFRESH commands can be posted to any given DDR SDRAM device.
18. tXPRD should be  $200 \text{ tCLK}$  in the condition of the unstable CLK operation during the power down mode.
19. For command/address and CK & /CK slew rate  $> 1.0\text{V/ns}$ .
20. Min (tCL,tCH) refers to the smaller of the actual clock low time and the actual clock high time as provided to the device.
21. tDAL minimum =  $(t_{WR}/t_{CK}) + (t_{RP}/t_{CK})$   
If either addend is not an integer, it should be rounded up.

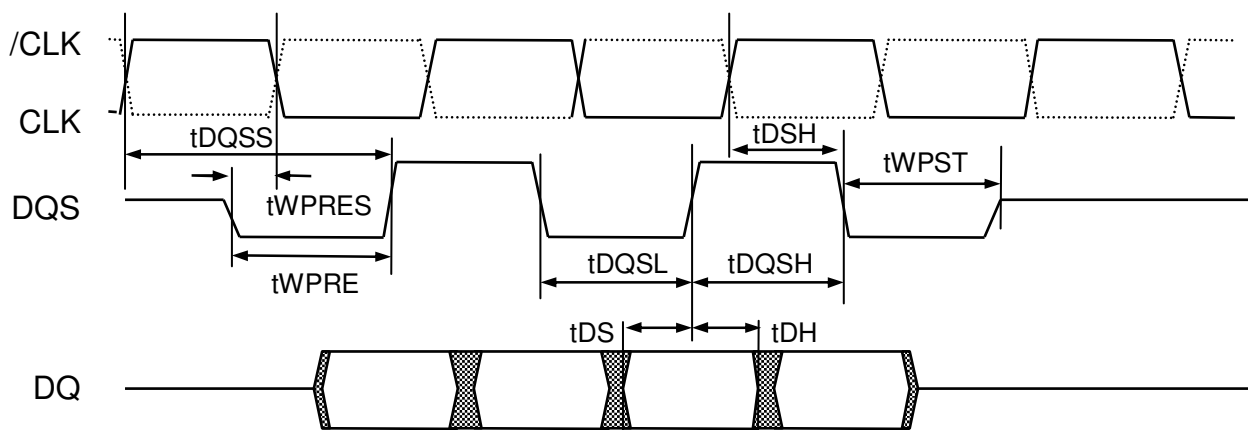
**Read Operation**



**Write Operation /  $t_{\text{DQSS}}=\text{max.}$**



**Write Operation /  $t_{\text{DQSS}}=\text{min.}$**





## OPERATIONAL DESCRIPTION

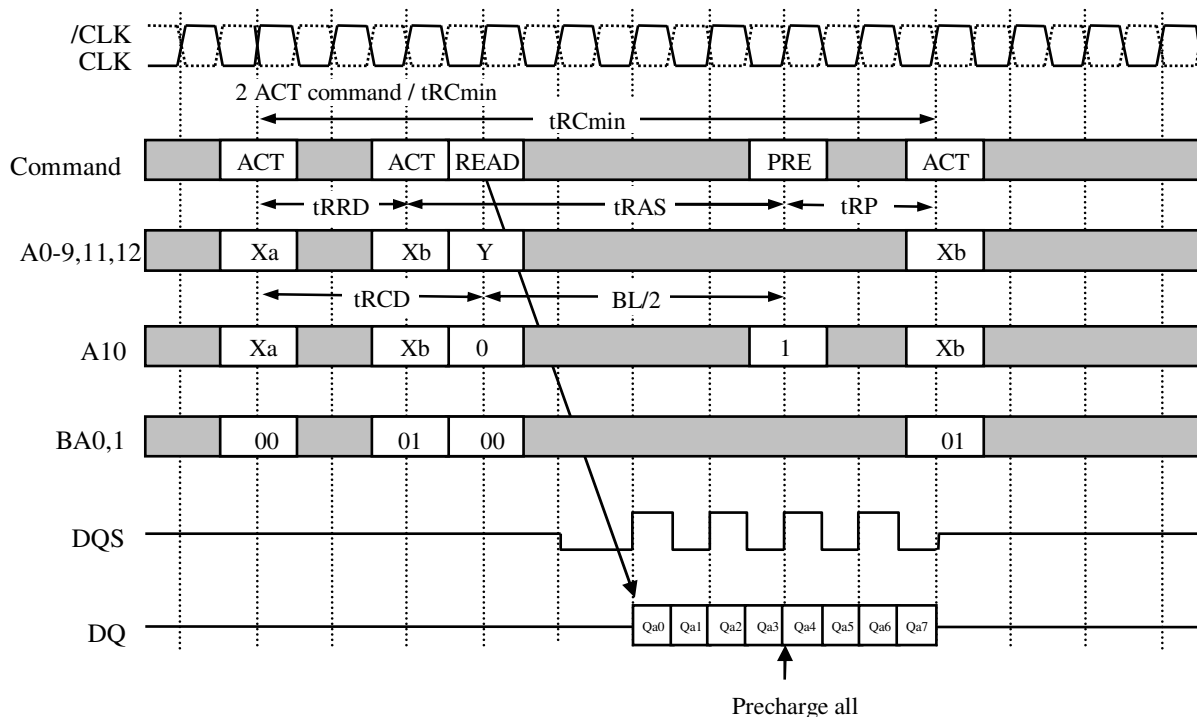
### BANK ACTIVATE

The DDR SDRAM has four independent banks. Each bank is activated by the ACT command with the bank addresses (BA0,1). A row is indicated by the row address A0-12. The minimum activation interval between one bank and the other bank is tRRD.

### PRECHARGE

The PRE command deactivates the bank indicated by BA0,1. When multiple banks are active, the precharge all command (PREA,PRE+A10=H) is available to deactivate them at the same time. After tRP from the precharge, an ACT command to the same bank can be issued.

#### Bank Activation and Precharge All (BL=8, CL=2)

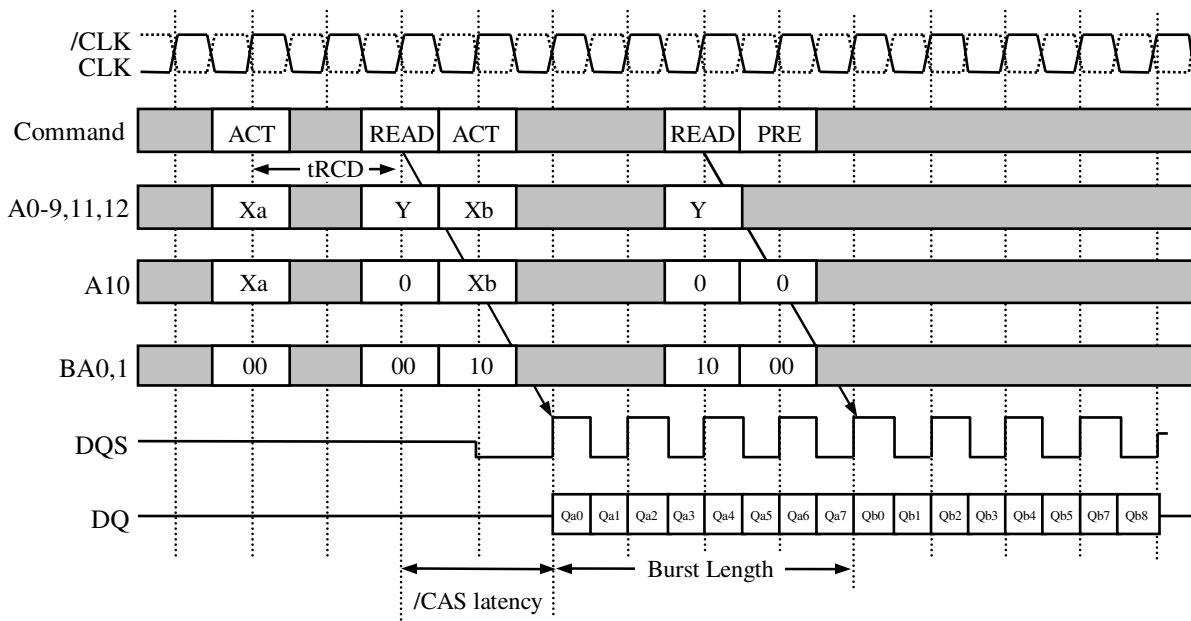


A precharge command can be issued at BL/2 from a read command without data loss.

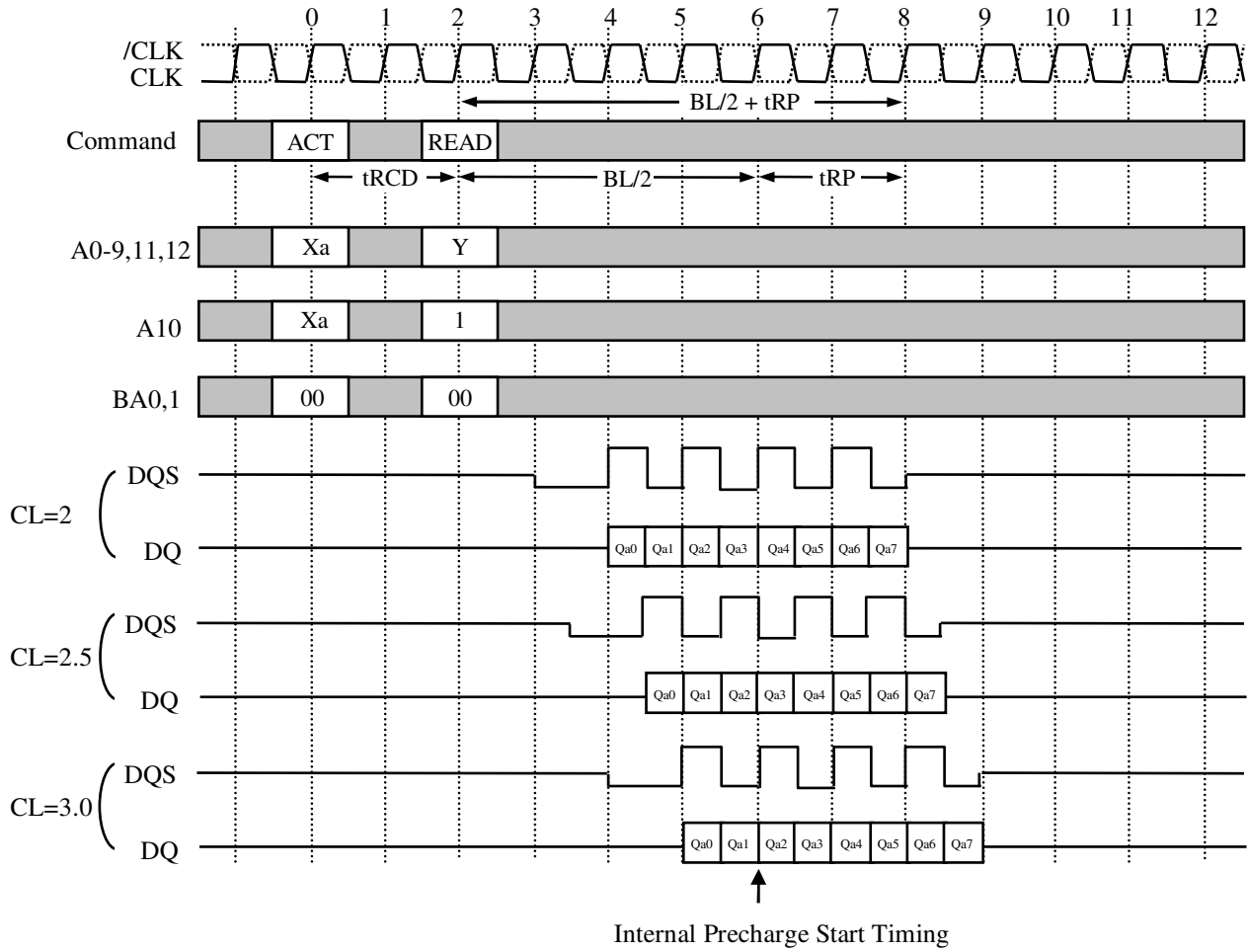
## READ

After  $t_{RCD}$  from the bank activation, a READ command can be issued. 1st Output data is available after the  $/CAS$  Latency from the READ, followed by  $(BL-1)$  consecutive data when the Burst Length is  $BL$ . The start address is specified by  $A0-9(x8)/A0-8(x16)$ , and the address sequence of burst data is defined by the Burst Type. A READ command may be applied to any active bank, so the row precharge time ( $t_{RP}$ ) can be hidden behind continuous output data by interleaving the multiple banks. When  $A10$  is high at a READ command, the auto-precharge (READA) is performed. Any command (READ, WRITE, PRE, ACT) to the same bank is inhibited till the internal precharge is complete. The internal precharge starts at  $BL/2$  after READA. The next ACT command can be issued after  $(BL/2+t_{RP})$  from the previous READA.

### Multi Bank Interleaving READ (BL=8, CL=2)



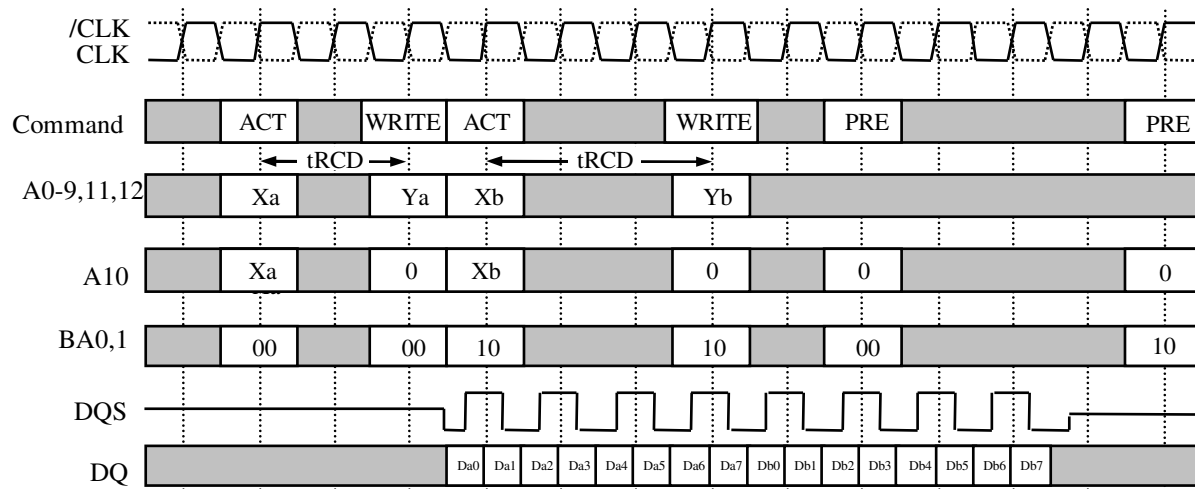
**READ with Auto-Precharge (BL=8, CL=2,2.5,3.0)**



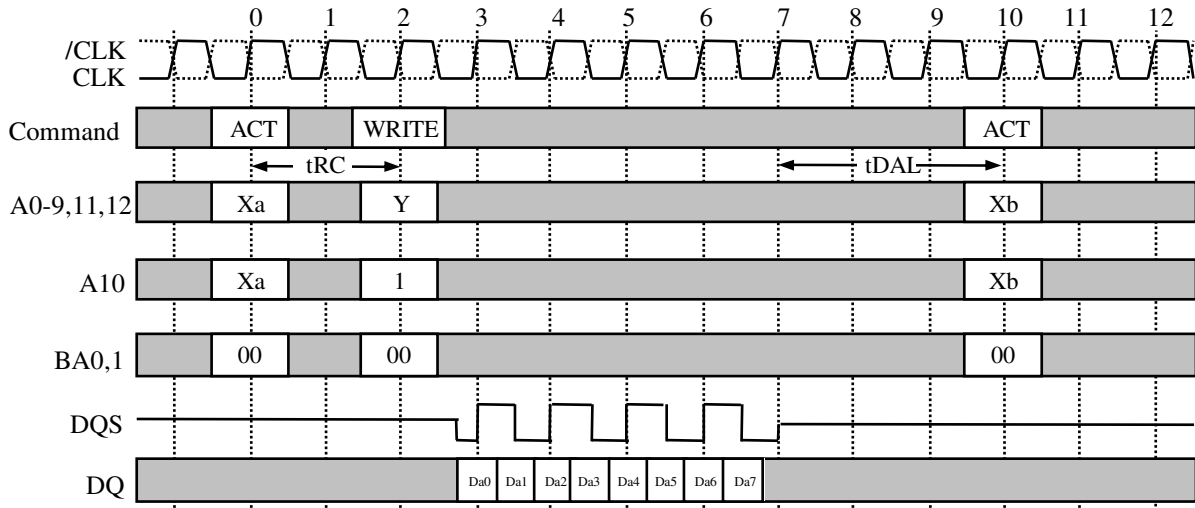
## WRITE

After tRCD from the bank activation, a WRITE command can be issued. 1st input data is set from the WRITE command with data strobe input, following (BL-1) data are written into RAM, when the Burst Length is BL. The start address is specified by A0-9(x8)/A0-8(x16), and the address sequence of burst data is defined by the Burst Type. A WRITE command may be applied to any active bank, so the row precharge time (tRP) can be hidden behind continuous input data by interleaving the multiple banks. From the last data to the PRE command, the write recovery time (tWRP) is required. When A10 is high at a WRITE command, the auto-precharge(WRITEA) is performed. Any command(READ,WRITE,PRE,ACT) to the same bank is inhibited till the internal precharge is complete. The next ACT command can be issued after tDAL from the last input data cycle.

**Multi Bank Interleaving WRITE (BL=8)**



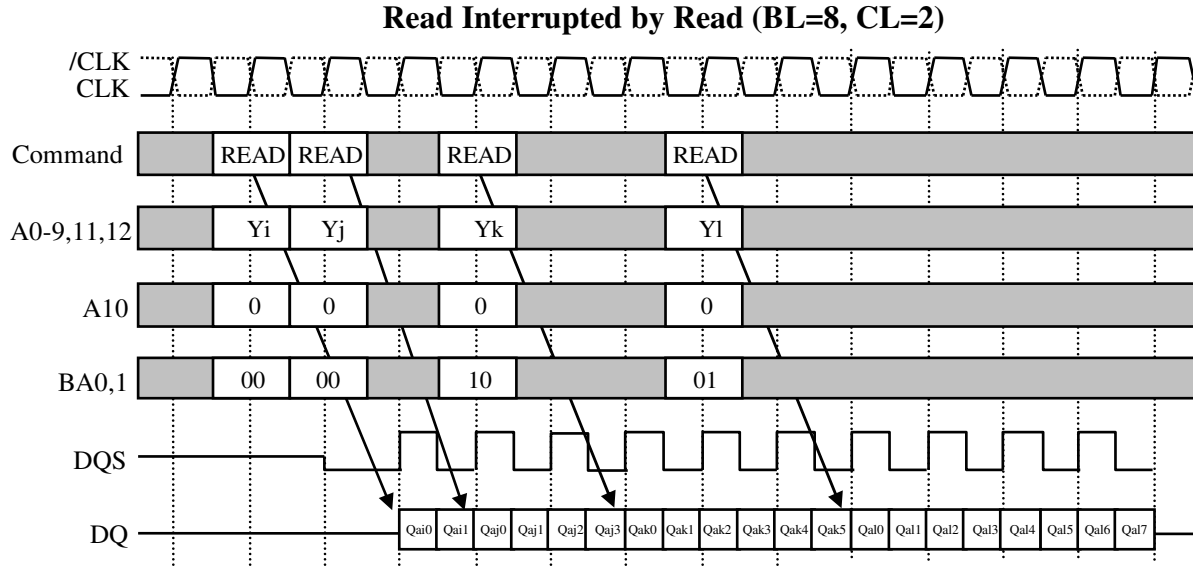
**WRITE with Auto-Precharge (BL=8)**



## BURST INTERRUPTION

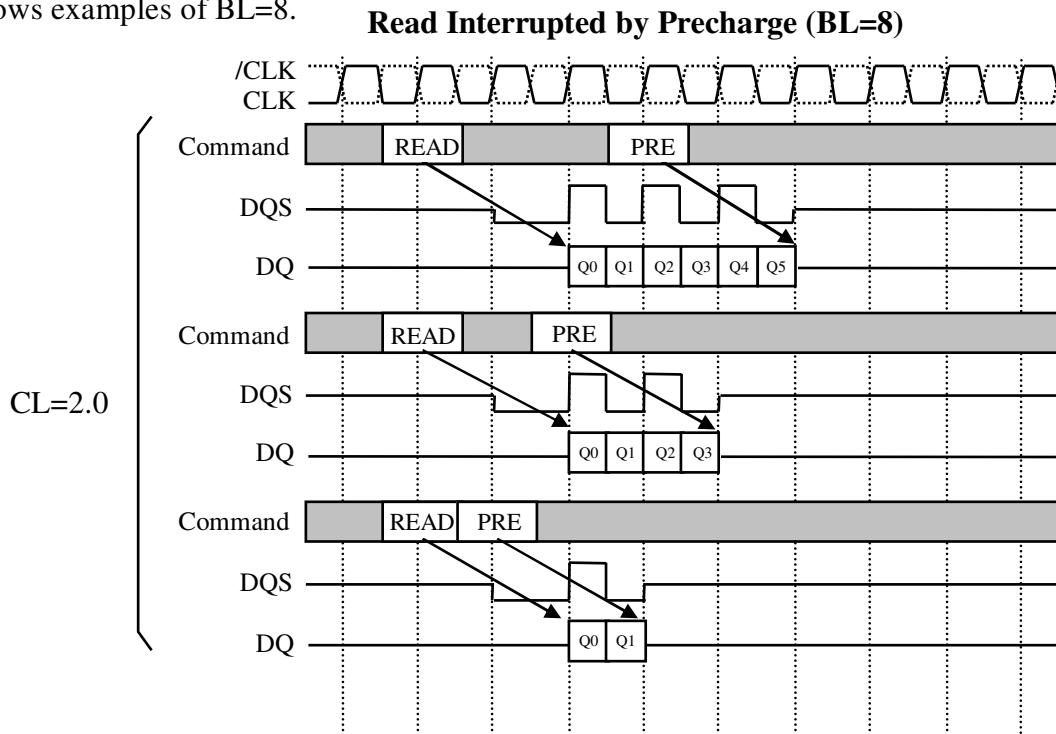
### [Read Interrupted by Read]

Burst read operation can be interrupted by new read of any bank. Random column access is allowed. READ to READ interval is minimum 1CLK.

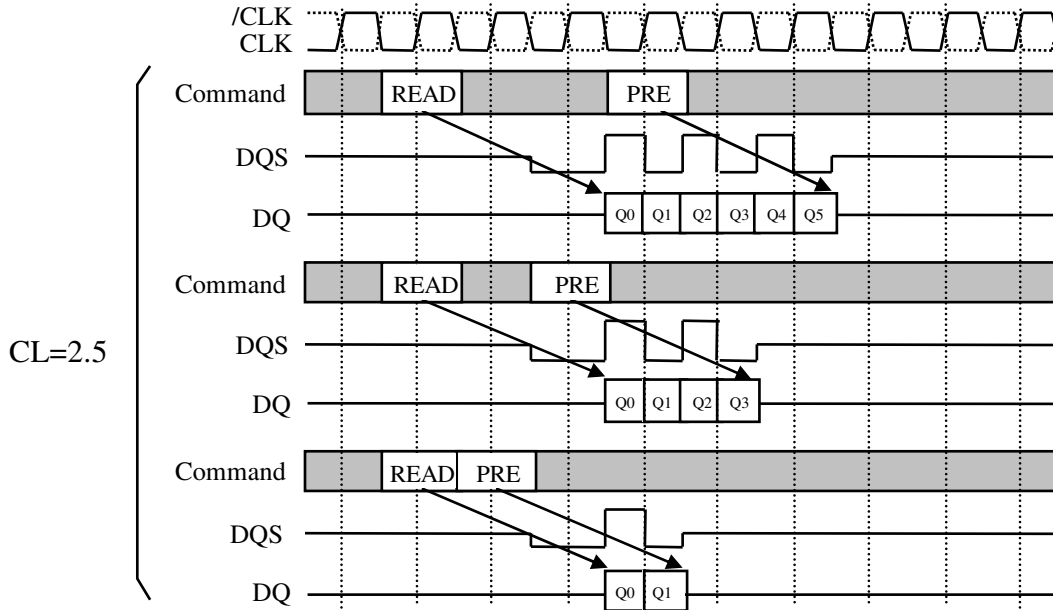


### [Read Interrupted by precharge]

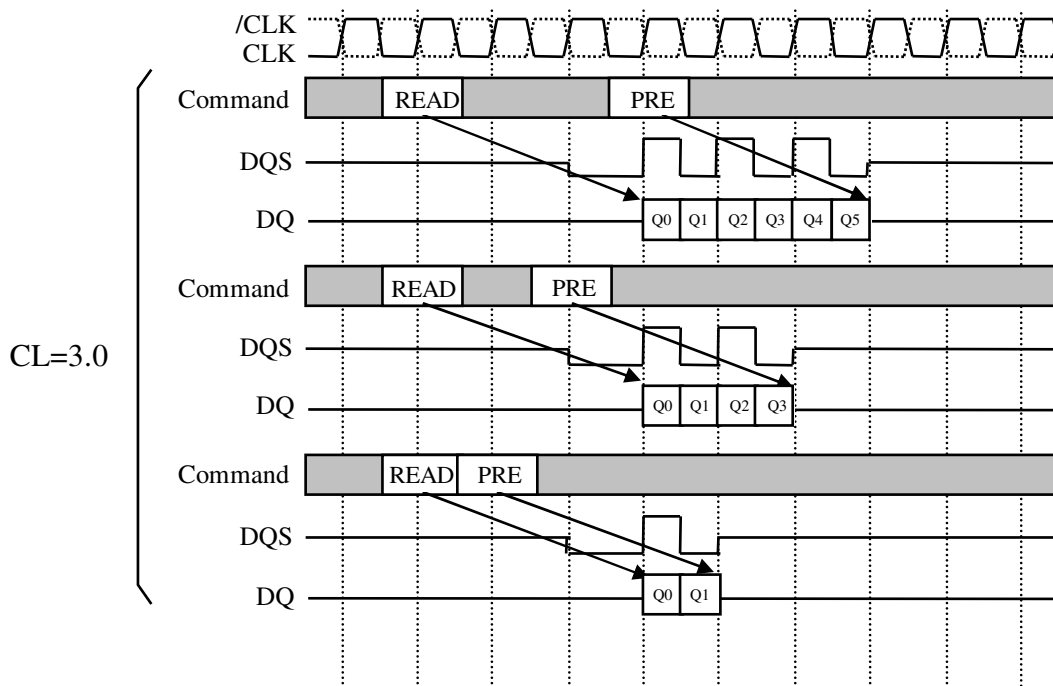
Burst read operation can be interrupted by precharge of the same bank. READ to PRE interval is minimum 1 CLK. A PRE command to output disable latency is equivalent to the /CAS Latency. As a result, READ to PRE interval determines valid data length to be output. The figure below shows examples of BL=8.



**Read Interrupted by Precharge (BL=8)**

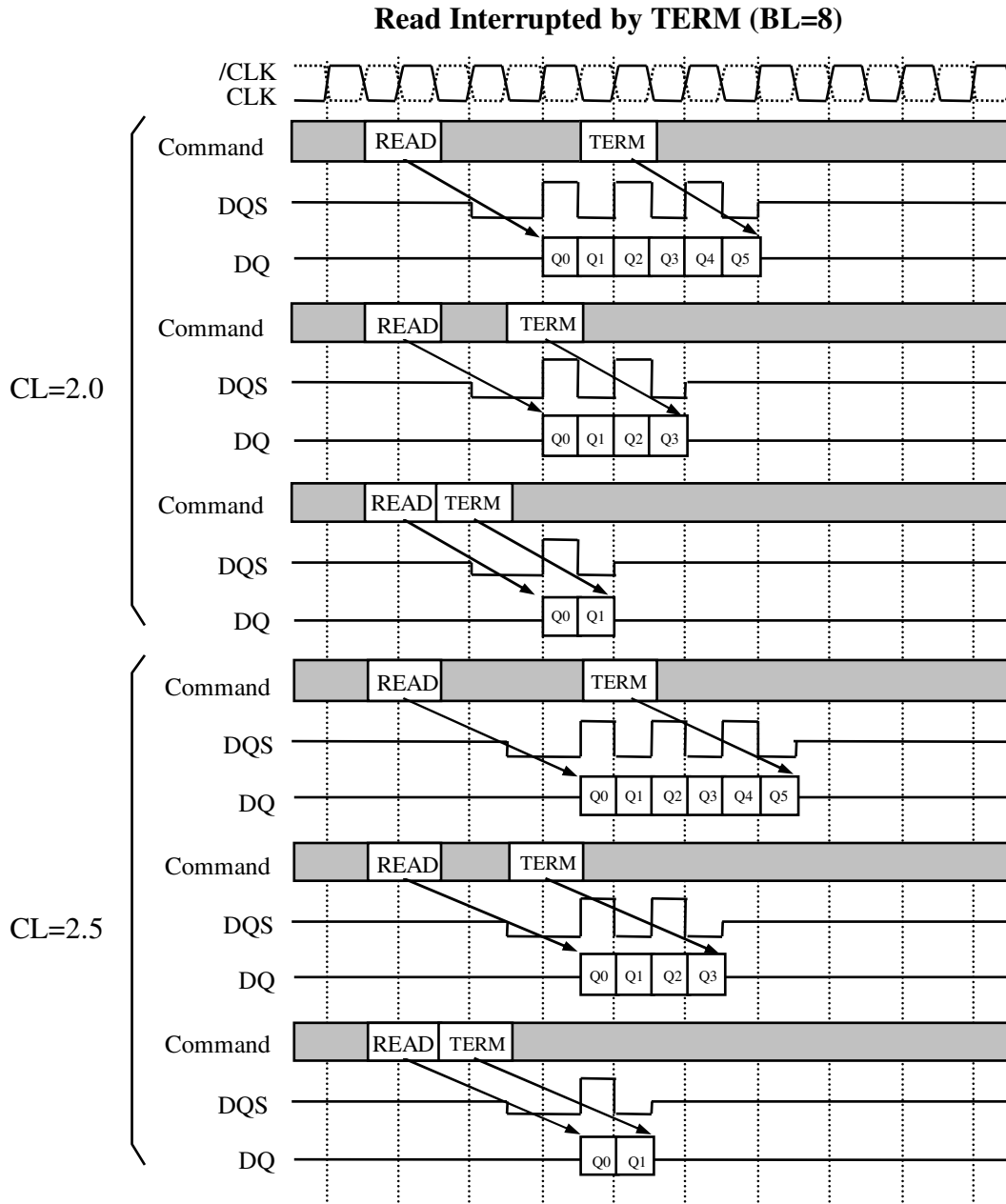


**Read Interrupted by Precharge (BL=8)**



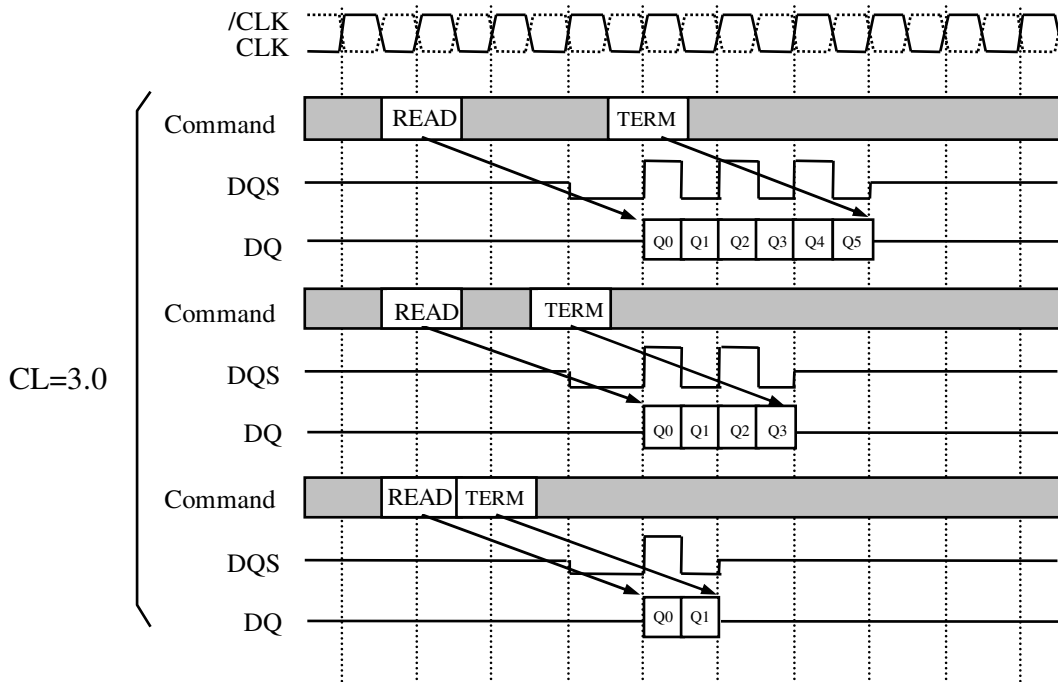
[Read Interrupted by Burst Stop]

Burst read operation can be interrupted by a burst stop command(TERM). READ to TERM interval is minimum 1 CLK. A TERM command to output disable latency is equivalent to the /CAS Latency. As a result, READ to TERM interval determines valid data length to be output. The figure below shows examples of BL=8.



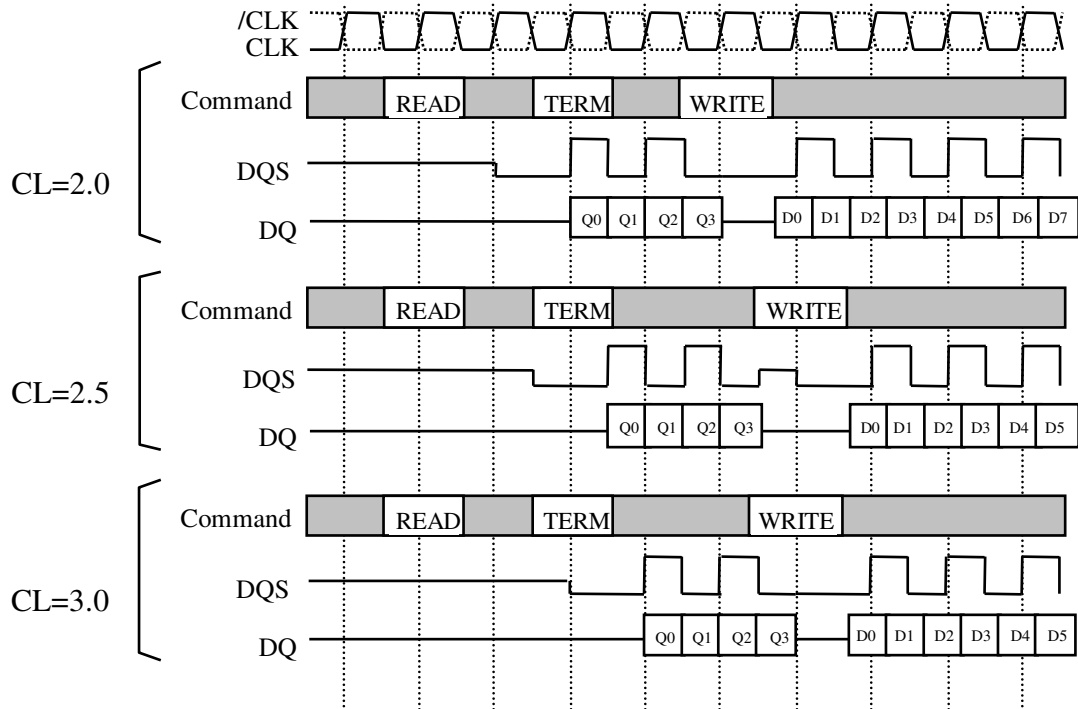


**Read Interrupted by TERM (BL=8)**



**[Read Interrupted by Write with TERM]**

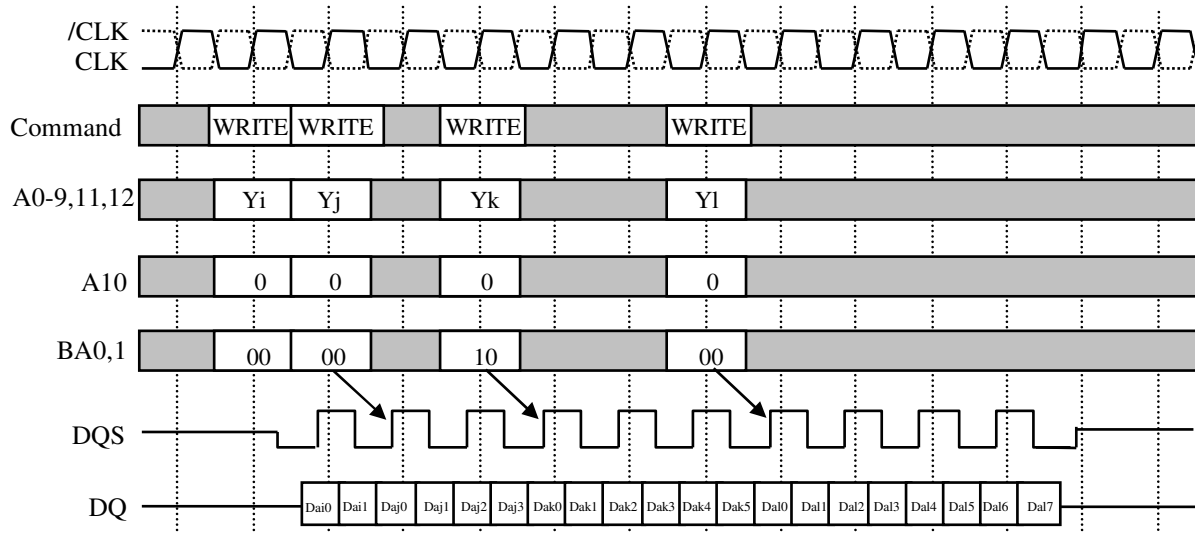
**Read Interrupted by TERM (BL=8)**



**[Write interrupted by Write]**

Burst write operation can be interrupted by write of any bank. Random column access is allowed. WRITE to WRITE interval is minimum 1 CLK.

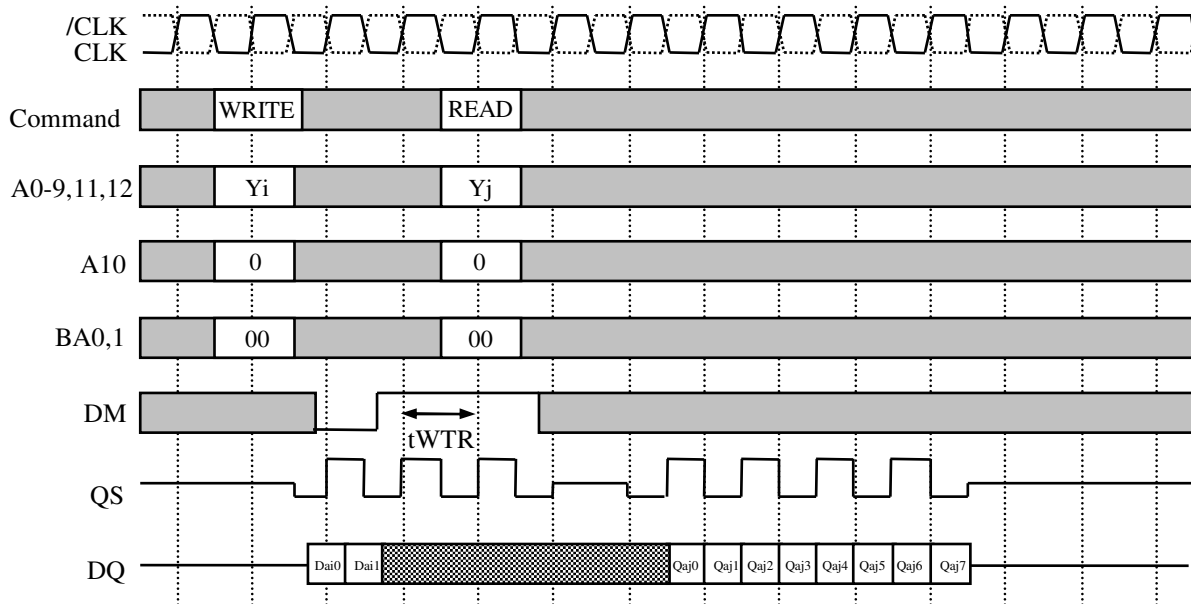
**Write Interrupted by Write (BL=8)**



**[Write interrupted by Read]**

Burst write operation can be interrupted by read of the same or the other bank. Random column access is allowed. Internal WRITE to READ command interval ( $t_{WTR}$ ) is minimum 1 CLK. The input data on DQ at the interrupting READ cycle is "don't care".  $t_{WTR}$  is referenced from the first positive edge after the last data input.

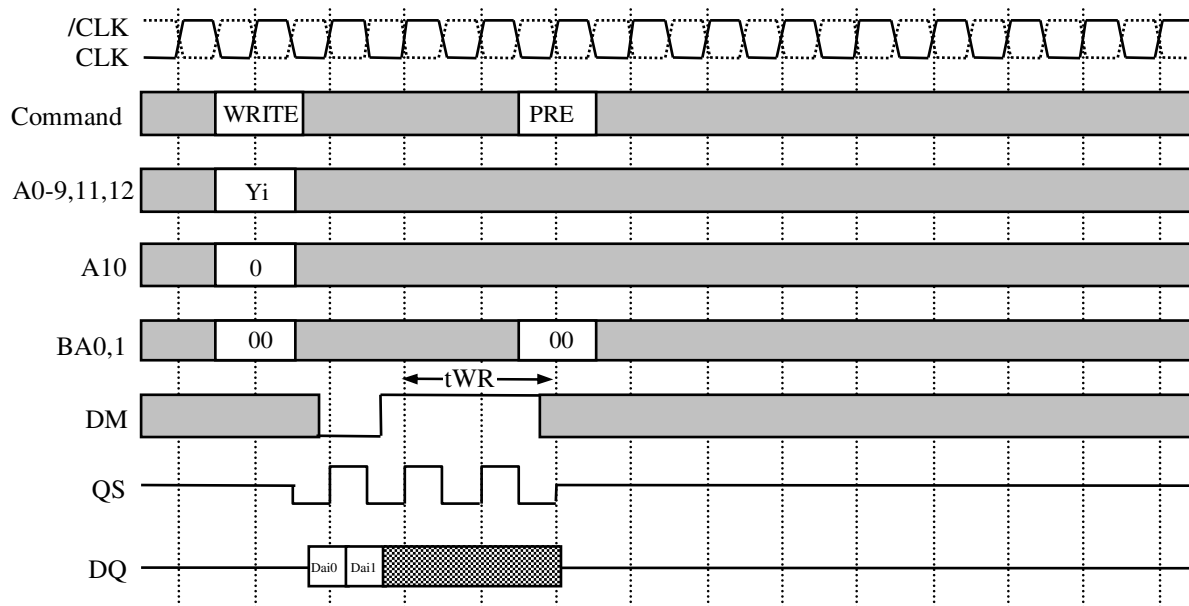
**Write Interrupted by Read (BL=8, CL=2.5)**



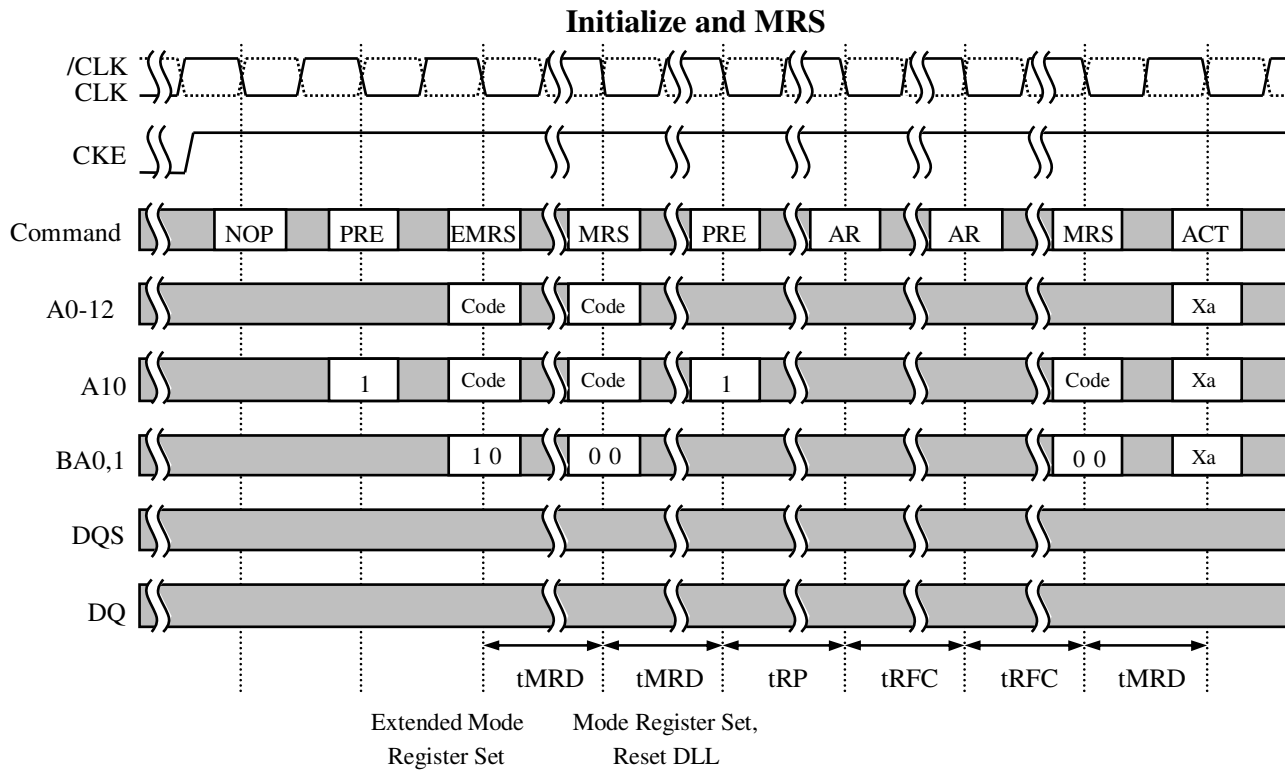
[Write interrupted by Precharge]

Burst write operation can be interrupted by precharge of the same or all bank. Random column access is allowed.  $t_{WR}$  is referenced from the first positive CLK edge after the last data input.

Write Interrupted by Precharge (BL=8, CL=2.5)

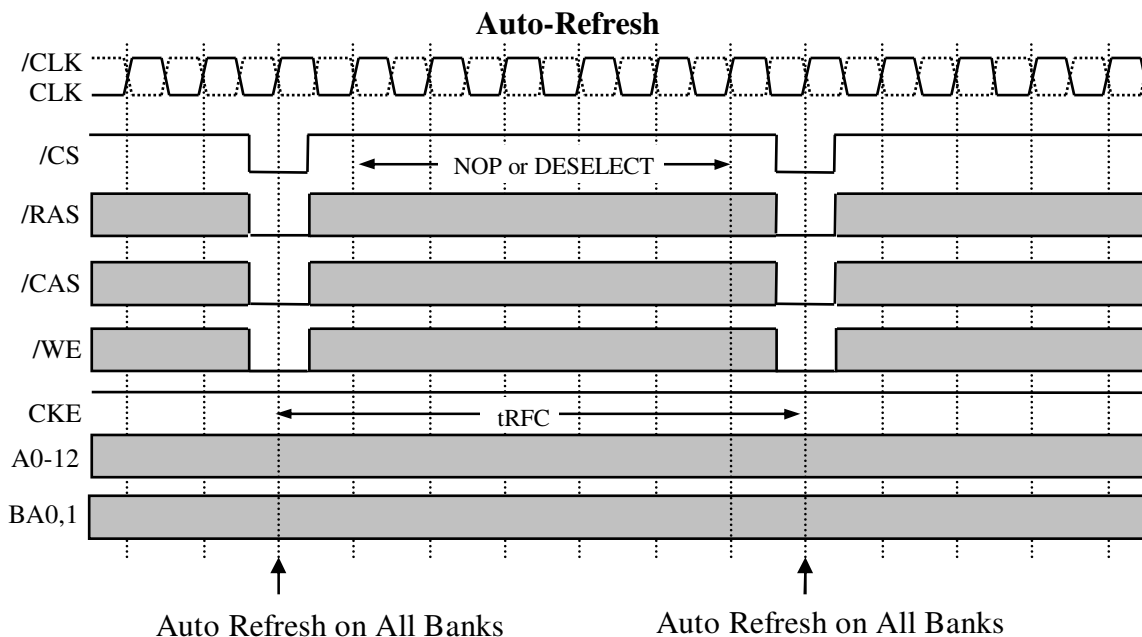


[Initialize and Mode Register sets]



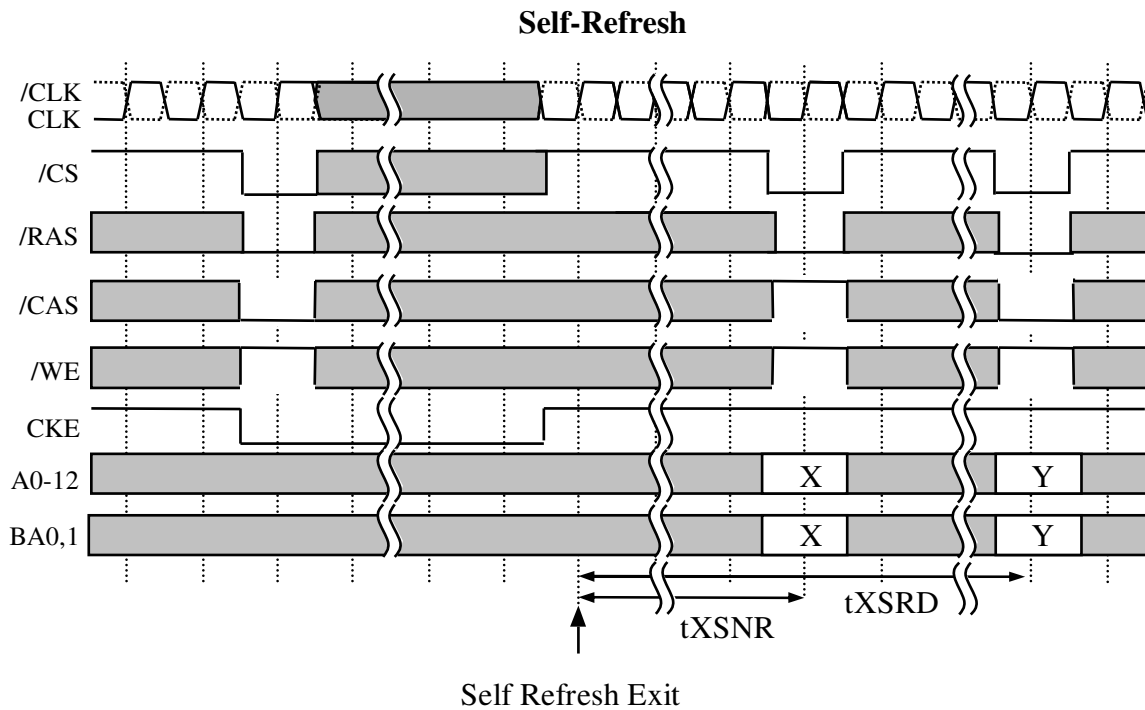
[AUTO REFRESH]

Single cycle of auto-refresh is initiated with a REFA(/CS=/RAS=/CAS=L,/WE=CKE=H) command. The refresh address is generated internally. 8192 REFA cycles within 64ms refresh 256Mbits memory cells. The auto-refresh is performed on 4 banks concurrently. Before performing an auto refresh, all banks must be in the idle state. Auto-refresh to auto-refresh interval is minimum tRFC . Any command must not be supplied to the device before tRFC from the REFA command.



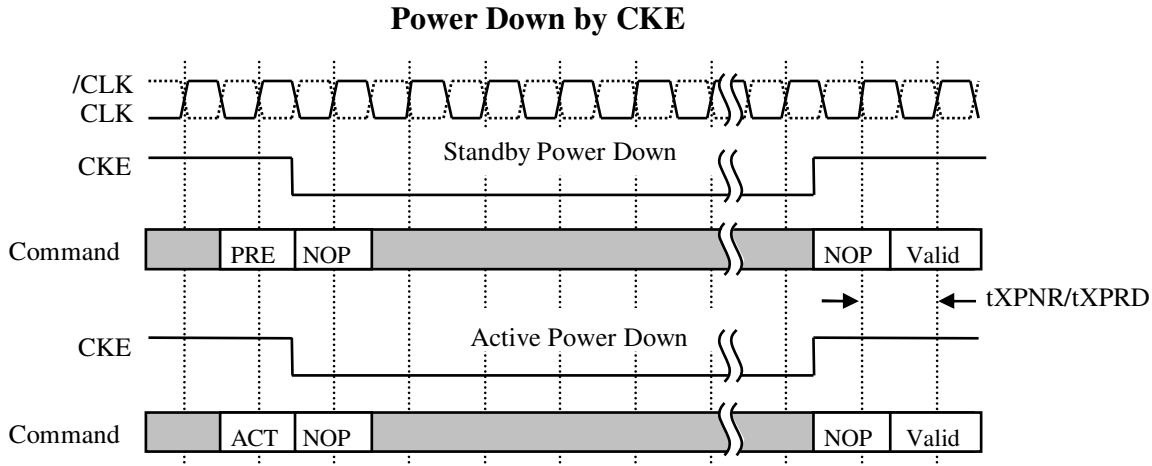
**[SELF REFRESH]**

Self -refresh mode is entered by issuing a REFS command ( $/CS=/RAS=/CAS=L, /WE=H, CKE=L$ ). Once the self-refresh is initiated, it is maintained as long as CKE is kept low. During the self-refresh mode, CKE is asynchronous and the only enable input, all other inputs including CLK are disabled and ignored, so that power consumption due to synchronous inputs is saved. To exit the self-refresh, supplying stable CLK inputs, asserting DESEL or NOP command and then asserting CKE for longer than  $t_{XSNR}/t_{XSRD}$ .



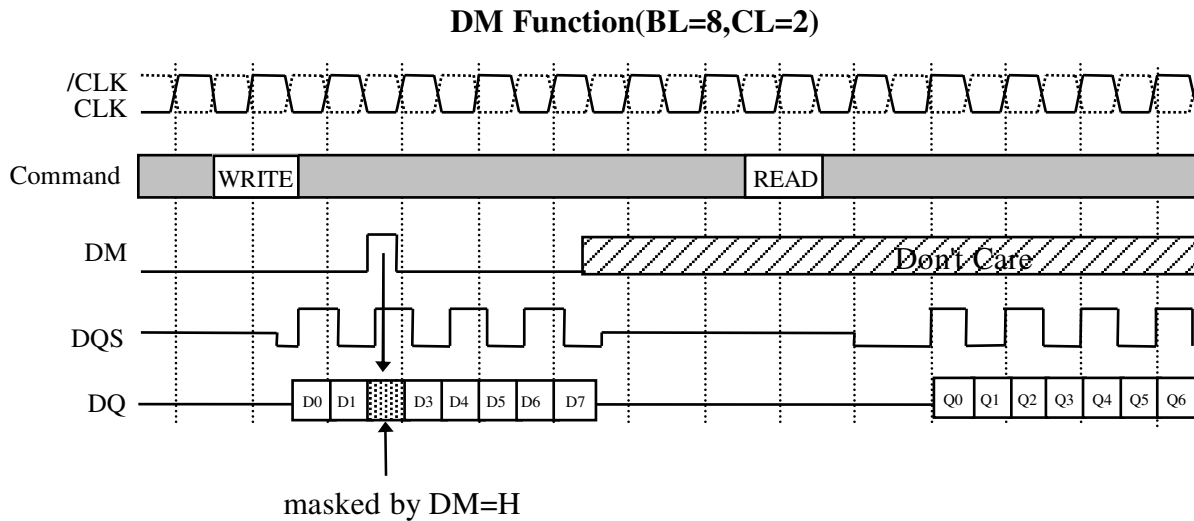
**[Power DOWN]**

The purpose of CLK suspend is power down. CKE is synchronous input except during the self-refresh mode. A command at cycle is ignored. From CKE=H to normal function, DLL recovery time is NOT required in the condition of the stable CLK operation during the power down mode.



**[DM CONTROL]**

DM is defined as the data mask for writes. During writes, DM masks input data word by word. DM to write mask latency is 0.



**ORDERING INFORMATION - V<sub>DD</sub> = 2.5V**

**Commercial Range: 0°C to +70°C**

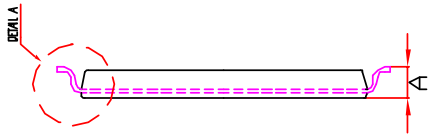
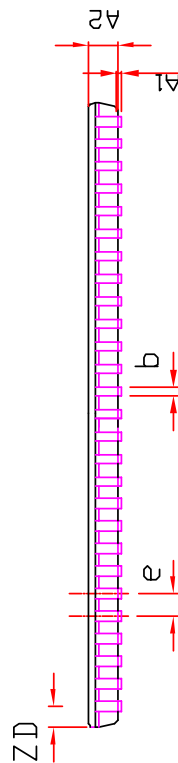
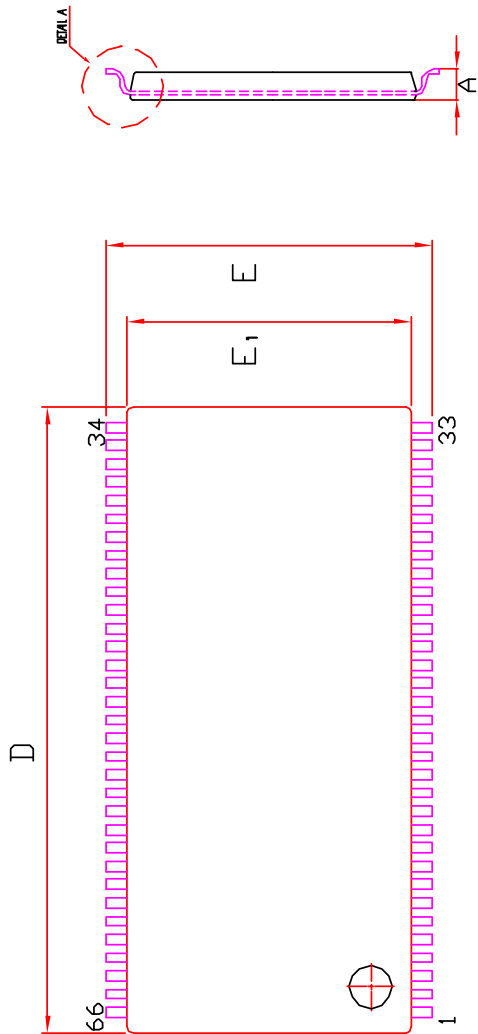
| Frequency | Speed (ns) | Order Part No.  | Organization | Package                   |
|-----------|------------|-----------------|--------------|---------------------------|
| 200 MHz   | 5          | IS43R83200B-5TL | 32Mx8        | 66-pin TSOP-II, Lead-free |
|           |            | IS43R16160B-5TL | 16Mx16       | 66-pin TSOP-II, Lead-free |
|           |            | IS43R16160B-5BL | 16Mx16       | 60-ball TF-BGA, Lead-free |
| 166 MHz   | 6          | IS43R83200B-6TL | 32Mx8        | 66-pin TSOP-II, Lead-free |
|           |            | IS43R16160B-6TL | 16Mx16       | 66-pin TSOP-II, Lead-free |
|           |            | IS43R16160B-6BL | 16Mx16       | 60-ball TF-BGA, Lead-free |

**Industrial Range: -40°C to +85°C**

| Frequency | Speed (ns) | Order Part No.   | Organization | Package                   |
|-----------|------------|------------------|--------------|---------------------------|
| 200 MHz   | 5          | IS43R83200B-5TLI | 32Mx8        | 66-pin TSOP-II, Lead-free |
|           |            | IS43R16160B-5TLI | 16Mx16       | 66-pin TSOP-II, Lead-free |
|           |            | IS43R16160B-5TI  | 16Mx16       | 66-pin TSOP-II            |
|           |            | IS43R16160B-5BLI | 16Mx16       | 60-ball TF-BGA, Lead-free |
|           |            | IS43R16160B-5BI  | 16Mx16       | 60-ball TF-BGA            |
| 166 MHz   | 6          | IS43R83200B-6TLI | 32Mx8        | 66-pin TSOP-II, Lead-free |
|           |            | IS43R16160B-6TLI | 16Mx16       | 66-pin TSOP-II, Lead-free |
|           |            | IS43R16160B-6BLI | 16Mx16       | 60-ball TF-BGA, Lead-free |
|           |            | IS43R16160B-6BI  | 16Mx16       | 60-ball TF-BGA            |

**Automotive Range (A1): -40°C to +85°C**

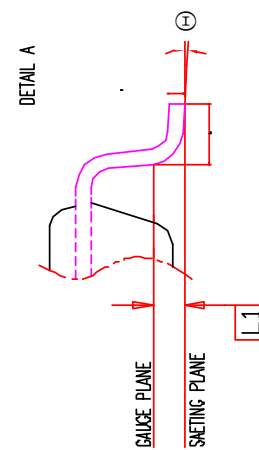
| Frequency | Speed (ns) | Order Part No.    | Organization | Package                   |
|-----------|------------|-------------------|--------------|---------------------------|
| 166 MHz   | 6          | IS46R83200B-6TLA1 | 32Mx8        | 66-pin TSOP-II, Lead-free |
|           |            | IS46R16160B-6TLA1 | 16Mx16       | 66-pin TSOP-II, Lead-free |
|           |            | IS46R16160B-6BLA1 | 16Mx16       | 60-ball TF-BGA, Lead-free |



| SYMBOL   | DIMENSION IN MM |             |
|----------|-----------------|-------------|
|          | MIN.            | NOM. MAX.   |
| A        |                 | 1.20        |
| A1       | 0.05            | 0.20        |
| A2       | 0.95            | 1.00 1.05   |
| b        | 0.22            | 0.40        |
| C        | 0.12            | 0.21        |
| D        | 22.02           | 22.22 22.42 |
| E        | 11.56           | 11.76 11.96 |
| E1       | 10.03           | 10.16 10.29 |
| e        | 0.65 BSC.       |             |
| L        | 0.40            | 0.50 0.60   |
| L1       | 0.25 BSC.       |             |
| ZD       | 0.71            | REF.        |
| $\theta$ | 0               | 8°          |

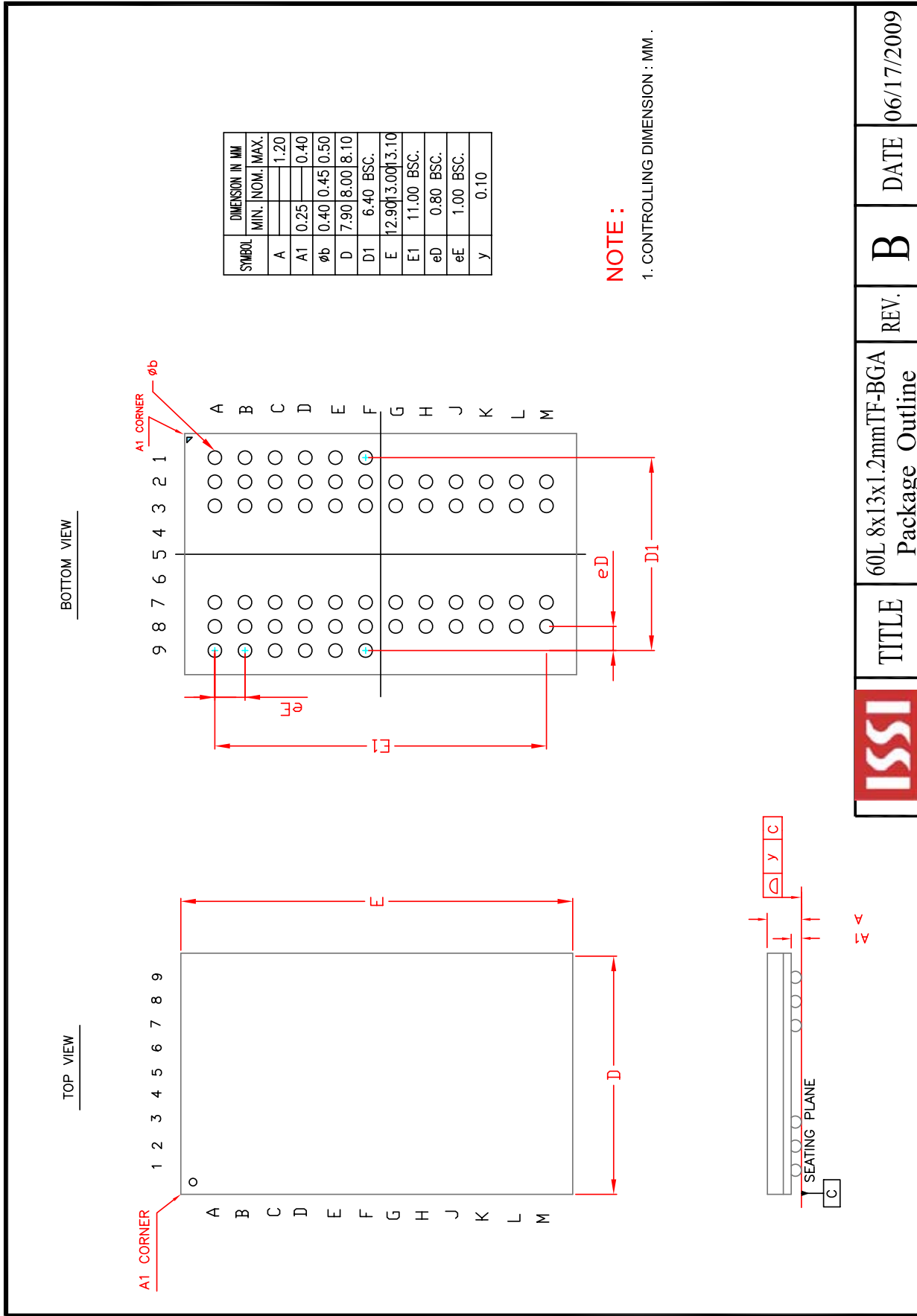
**NOTE :**

1. Controlling dimension : mm
2. Dimension D and E1 do not include mold protrusion .
3. Dimension b does not include dambar protrusion/intrusion.
4. Formed leads shall be planar with respect to one another within 0.1mm at the seating plane after final test.



|                          |  |                  |                           |
|--------------------------|--|------------------|---------------------------|
| <b>ISSI</b> <sup>®</sup> | <b>TITLE</b><br>66L 400mil TSOP-2<br>Package Outline | <b>REV.</b><br>C | <b>DATE</b><br>10/04/2006 |
|                          |  |                  |                           |





TITLE  
 60L 8x13x1.2mm TF-BGA  
 Package Outline

REV. **B**

DATE 06/17/2009