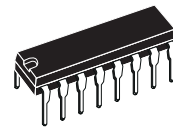


## SERIAL INTERFACE CODEC/FILTER

- COMPLETE CODEC AND FILTERING SYSTEM (DEVICE) INCLUDING:
  - Transmit high-pass and low-pass filtering.
  - Receive low-pass filter with  $\sin x/x$  correction.
  - Active RC noise filters
  - $\mu$ -law or A-law compatible COder and DECoder.
  - Internal precision voltage reference.
  - Serial I/O interface.
  - Internal auto-zero circuitry.
- A-LAW 16 PINS (ETC5057FN, 20 PINS)
- $\mu$ -LAW WITHOUT SIGNALING, 16 PINS (ETC5054FN, 20 PINS)
- MEETS OR EXCEEDS ALL D3/D4 AND CCITT SPECIFICATIONS
- $\pm 5V$  OPERATION
- LOW OPERATING POWER - TYPICALLY 60 mW
- POWER-DOWN STANDBY MODE - TYPICALLY 3 mW
- AUTOMATIC POWER-DOWN
- TTL OR CMOS COMPATIBLE DIGITAL INTERFACES
- MAXIMIZES LINE INTERFACE CARD CIRCUIT DENSITY
- 0 to 70°C OPERATION

### DESCRIPTION

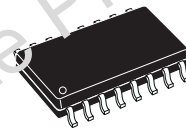
The ETC5057/ETC5054 family consists of A-law and  $\mu$ -law monolithic PCM CODEC/filters utilizing the A/D and D/A conversion architecture shown in the block diagram below, and a serial PCM interface. The devices are fabricated using double-poly CMOS process. The encode portion of each device consists of an input gain adjust amplifier, an active RC pre-filter which eliminates very high frequency noise prior to entering a switched-capacitor band-pass filter that rejects signals below 200 Hz and above 3400 Hz. Also included are auto-zero circuitry and a companding coder which samples the filtered signal and encodes it in the companded A-law or  $\mu$ -law PCM format. The decode portion of each device consists of an expanding decoder, which reconstructs the analog signal from the companded A-law or  $\mu$ -law code, a low-pass filter which corrects for the  $\sin x/x$  response of the decoder output and rejects signals above 3400 Hz and is followed by a single-ended power amplifier capable of driving low impedance loads. The devices require 1.536 MHz, 1.544



**DIP16 (Plastic)**

**ORDERING NUMBERS:**

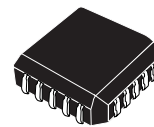
ETC5057N  
ETC5054N



**SO16 (Wide)**

**ORDERING NUMBERS:**

ETC5057D  
ETC5054D



**PLCC20**

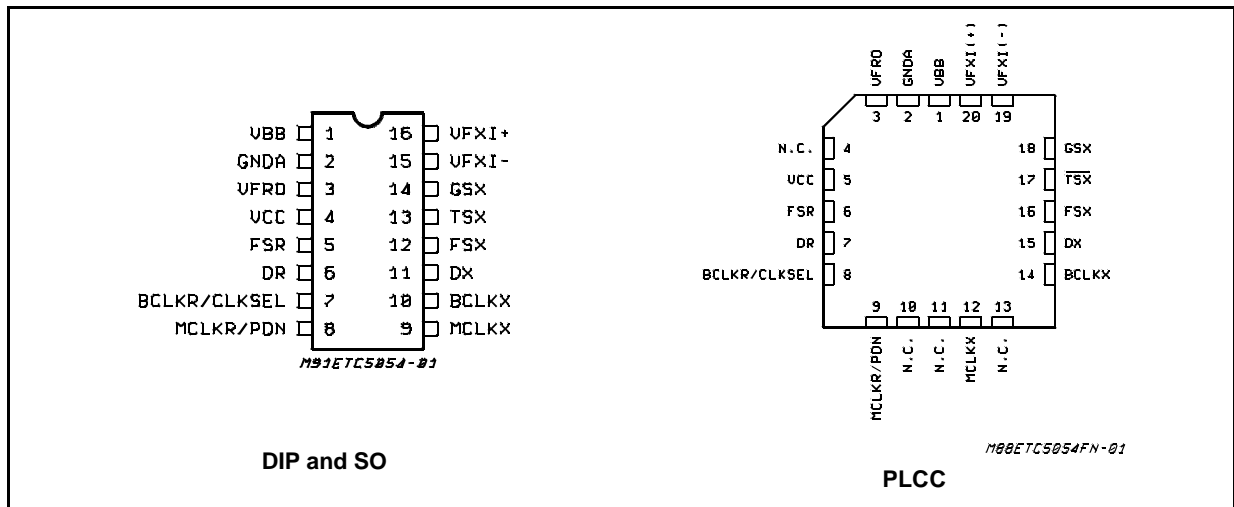
**ORDERING NUMBERS:**

ETC5057FN  
ETC5054FN

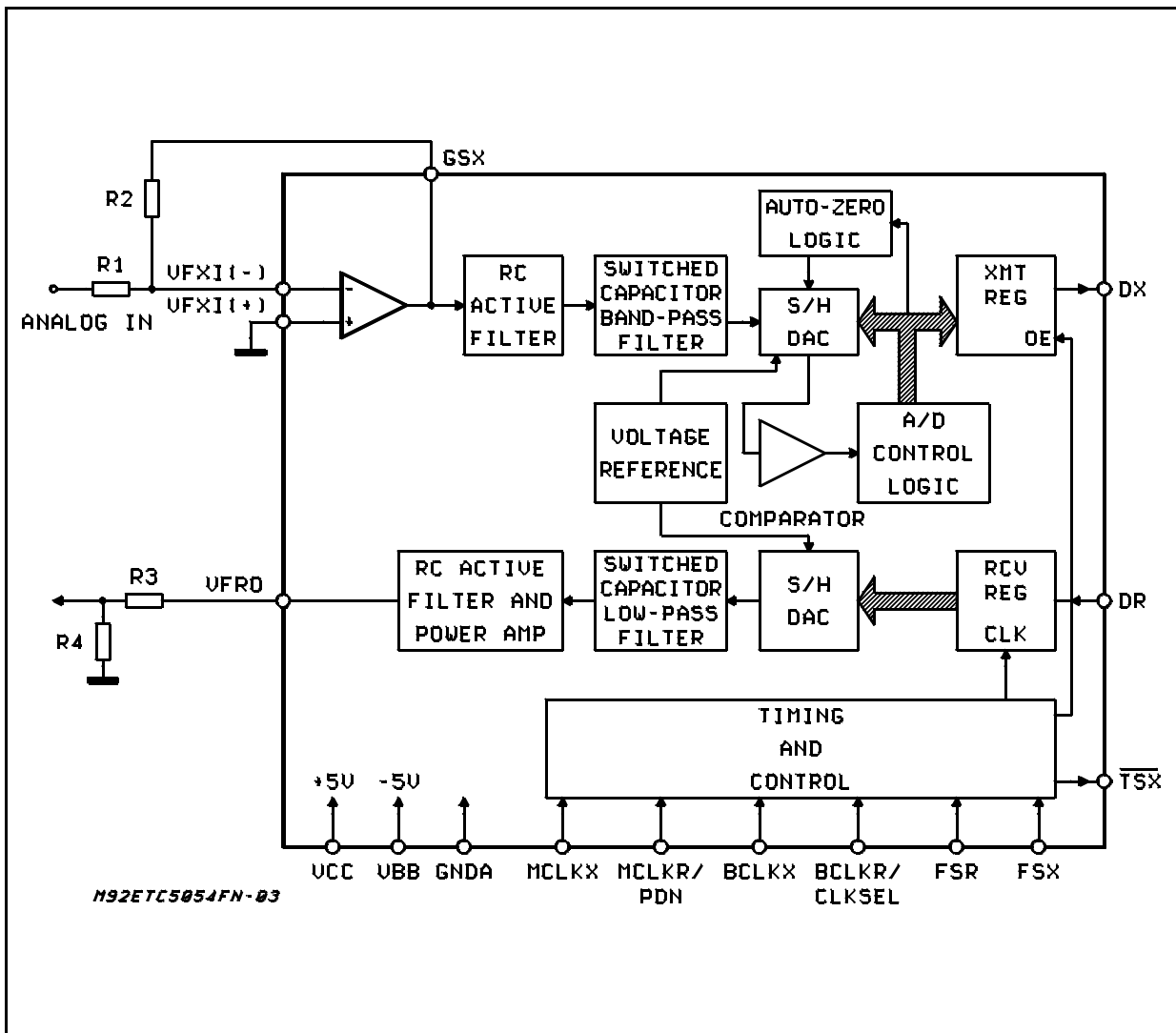
MHz, or 2.048 MHz transmit and receive master clocks, which may be asynchronous, transmit and receive bit clocks which may vary from 64 kHz to 2.048 MHz, and transmit and receive frame sync pulses. The timing of the frame sync pulses and PCM data is compatible with both industry standard formats.

# ETC5054 - ETC5057

## PIN CONNECTIONS (Top view)



## BLOCK DIAGRAM



## PIN DESCRIPTION

Name	Pin Type *	N° DIP and SO	N° PLCC (**)	Function	Description
V <sub>BB</sub>	S	1	1	Negative Power Supply	V <sub>BB</sub> = - 5 V ± 5 %.
GNDA	GND	2	2	Analog Ground	All signals are referenced to this pin.
V <sub>FRO</sub>	O	3	3	Receive Filter Output	Analog Output of the Receive Filter
V <sub>CC</sub>	S	4	5	Positive Power Supply	V <sub>CC</sub> = + 5 V ± 5 %.
FS <sub>R</sub>	I	5	6	Receive Frame Sync Pulse	Enables BCLK <sub>R</sub> to shift PCM data into D <sub>R</sub> . FS <sub>R</sub> is an 8kHz pulse train. See figures 1, 2 and 3 for timing details.
D <sub>R</sub>	I	6	7	Receive Data Input	PCM data is shifted into D <sub>R</sub> following the FS <sub>R</sub> leading edge.
BCLK <sub>R</sub> /CLKSEL	I	7	8	Shift-in Clock	Shifts data into D <sub>R</sub> after the FS <sub>R</sub> leading edge. May vary from 64 kHz to 2.048 MHz. Alternatively, may be a logic input which selects either 1.536 MHz/1.544 MHz or 2.048 MHz for master clock in synchronous mode and BCLK <sub>X</sub> is used for both transmit and receive directions (see table 1). This input has an internal pull-up.
MCLK <sub>R</sub> /PDN	I	8	9	Receive Master Clock	Must be 1.536 MHz, 1.544 MHz or 2.048 MHz. May be asynchronous with MCLK <sub>X</sub> , but should be synchronous with MCLK <sub>X</sub> for best performance. When MCLK <sub>R</sub> is connected continuously low, MCLK <sub>X</sub> is selected for all internal timing. When MCLK <sub>R</sub> is connected continuously high, the device is powered down.
MCLK <sub>X</sub>	I	9	12	Transmit Master Clock	Must be 1.536 MHz, 1.544 MHz or 2.048 MHz. May be asynchronous with MCLK <sub>R</sub> .
BCLK <sub>X</sub>	I	10	14	Shift-out Clock	Shifts out the PCM data on DX. May vary from 64 kHz to 2.048 MHz, but must be synchronous with MCLK <sub>X</sub> .
D <sub>X</sub>	O	11	15	Transmit Data Output	The TRI-STATE® PCM data output which is enabled by FS <sub>X</sub> .
FS <sub>X</sub>	I	12	16	Transmit Frame Sync Pulse	Enables BCLK <sub>X</sub> to shift out the PCM data on DX. FS <sub>X</sub> is an 8 kHz pulse train. See figures 1, 2 and 3 for timing details.
$\overline{\text{TS}}_X$	O	13	17	Transmit Time Slot	Open drain output which pulses low during the encoder time slot. Recommended to be grounded if not used.
GS <sub>X</sub>	O	14	18	Gain Set	Analog output of the transmit input amplifier. Used to set gain externally.
V <sub>FxI</sub> <sup>-</sup>	I	15	19	Inverting Amplifier Input	Inverting Input of the Transmit Input Amplifier.
V <sub>FxI</sub> <sup>+</sup>	I	16	20	Non-inverting Amplifier Input	Non-inverting Input of the Transmit Input Amplifier.

(\*) I: Input, O: Output, S: Power Supply

(\*\*) Pins 4,10,11 and 13 are not connected

TRI-STATE® is a trademark of National Semiconductor Corp.

**FUNCTIONAL DESCRIPTION**

**POWER-UP**

When power is first applied, power-on reset circuitry initializes the device and places it into the power-down mode. All non-essential circuits are deactivated and the D<sub>X</sub> and V<sub>FRO</sub> outputs are put in high impedance states. To power-up the device, a logical low level or clock must be applied to the MCLK<sub>R</sub>/PDN pin and FS<sub>X</sub> and/or FS<sub>R</sub> pulses must be present. Thus, 2 power-down control modes are available. The first is to pull the MCLK<sub>R</sub>/PDN pin high ; the alternative is to hold both FS<sub>X</sub> and FS<sub>R</sub> inputs continuously low. The device will power-down approximately 2 ms after the last FS<sub>X</sub> or FS<sub>R</sub> pulse. Power-up will occur on the first FS<sub>X</sub> or FS<sub>R</sub> pulse. The TRI-STATE PCM data output, D<sub>X</sub>, will remain in the high impedance state until the second FS<sub>X</sub> pulse.

**SYNCHRONOUS OPERATION**

For synchronous operation, the same master clock and bit clock should be used for both the transmit and receive directions. In this mode, a clock must be applied to MCLK<sub>X</sub> and the MCLK<sub>R</sub>/PDN pin can be used as a power-down control. A low level on MCLK<sub>R</sub>/PDN powers up the device and a high level powers down the device. In either case, MCLK<sub>X</sub> will be selected as the master clock for both the transmit and receive circuits. A bit clock must also be applied to BCLK<sub>X</sub> and the BCLK<sub>R</sub>/CKSEL can be used to select the proper internal divider for a master clock of 1.536 MHz, 1.544 MHz or 2.048 MHz. For 1.544 MHz operation, the device automatically compensates for the 193rd clock pulse each frame. With a fixed level on the BCLK<sub>R</sub>/CLKSEL pin, BCLK<sub>X</sub> will be selected as the bit clock for both the transmit and receive directions. Table 1 indicates the frequencies of operation which can be selected, depending on the state of BCLK<sub>R</sub>/CLKSEL. In this synchronous mode, the bit clock, BCLK<sub>X</sub>, may be from 64 kHz to 2.048 MHz, but must be synchronous with MCLK<sub>X</sub>.

Each FS<sub>X</sub> pulse begins the encoding cycle and the PCM data from the previous encode cycle is shifted out of the enabled D<sub>X</sub> output on the positive edge of BCLK<sub>X</sub>. After 8 bit clock periods, the

TRI-STATE D<sub>X</sub> output is returned to a high impedance state. With and FS<sub>R</sub> pulse, PCM data is latched via the D<sub>R</sub> input on the negative edge of BCLK<sub>X</sub> (or BCLK<sub>R</sub> if running). FS<sub>X</sub> and FS<sub>R</sub> must be synchronous with MCLK<sub>X/R</sub>.

**ASYNCHRONOUS OPERATION**

For asynchronous operation, separate transmit and receive clocks may be applied, MCLK<sub>X</sub> and MCLK<sub>R</sub> must be 2.048 MHz for the ETC5057, or 1.536 MHz, 1.544 MHz for the ETC5054, and need not be synchronous. For best transmission performance, however, MCLK<sub>R</sub> should be synchronous with MCLK<sub>X</sub>, which is easily achieved by applying only static logic levels to the MCLK<sub>R</sub>/PDN pin. This will automatically connect MCLK<sub>X</sub> to all internal MCLK<sub>R</sub> functions (see pin description). For 1.544 MHz operation, the device automatically compensates for the 193rd clock pulse each frame. FS<sub>X</sub> starts each encoding cycle and must be synchronous with MCLK<sub>X</sub> and BCLK<sub>X</sub>. FS<sub>R</sub> starts each decoding cycle and must be synchronous with BCLK<sub>R</sub>. BCLK<sub>R</sub> must be a clock, the logic levels shown in table 1 are not valid in asynchronous mode. BCLK<sub>X</sub> and BCLK<sub>R</sub> may operate from 64 kHz to 2.048 MHz.

**SHORT FRAME SYNC OPERATION**

The device can utilize either a short frame sync pulse or a long frame sync pulse. Upon power initialization, the device assumes a short frame mode. In this mode, both frame sync pulses, FS<sub>X</sub> and FS<sub>R</sub>, must be one bit clock period long, with timing relationships specified in figure 2. With FS<sub>X</sub> high during a falling edge of BCLK<sub>X</sub> the next rising edge of BCLK<sub>X</sub> enables the D<sub>X</sub> TRI-STATE output buffer, which will output the sign bit. The following seven rising edges clock out the remaining seven bits, and the next falling edge disables the D<sub>X</sub> output. With FS<sub>R</sub> high during a falling edge of BCLK<sub>R</sub> (BCLK<sub>X</sub> in synchronous mode), the next falling edge of BCLK<sub>R</sub> latches in the sign bit. The following seven falling edges latch in the seven remaining bits. Both devices may utilize the short frame sync pulse in synchronous or asynchronous operating mode.

**LONG FRAME SYNC OPERATION**

To use the long frame mode, both the frame sync pulses, FS<sub>X</sub> and FS<sub>R</sub>, must be three or more bit clock periods long, with timing relationships specified in figure 3. Based on the transmit frame sync, FS<sub>X</sub>, the device will sense whether short or long frame sync pulses are being used. For 64 kHz operation, the frame sync pulse must be kept low for a minimum of 160 ns (see fig. 1). The D<sub>X</sub> TRI-STATE output buffer is enabled with the rising edge of FS<sub>X</sub> or the rising edge of BCLK<sub>X</sub>, whichever comes later, and the first bit clocked out is the sign bit. The following seven BCLK<sub>X</sub> rising

**Table 1:** Selection of Master Clock Frequencies.

BCLK <sub>R</sub> /CLKSEL	Master Clock Frequency Selected	
	ETC5057	ETC5054
Clocked	2.048 MHz	1.536 MHz or 1.544 MHz
0	1.536 MHz or 1.544 MHz	2.048 MHz
1 (or open circuit)	2.048 MHz	1.536 MHz or 1.544 MHz



edges clock out the remaining seven bits. The  $D_X$  output is disabled by the falling  $BCLK_X$  edge following the eighth rising edge, or by  $FS_X$  going low, whichever comes later. A rising edge on the receive frame sync pulse,  $FS_R$ , will cause the PCM data at  $D_R$  to be latched in on the next eight falling edges of  $BCLK_R$  ( $BCLK_X$  in synchronous mode). Both devices may utilize the long frame sync pulse in synchronous or asynchronous mode.

#### TRANSMIT SECTION

The transmit section input is an operational amplifier with provision for gain adjustment using two external resistors, see figure 6. The low noise and wide bandwidth allow gains in excess of 20 dB across the audio passband to be realized. The op amp drives a unitygain filter consisting of  $R_D$  active pre-filter, followed by an eighth order switched-capacitor bandpass filter clocked at 256 kHz. The output of this filter directly drives the encoder sample-and-hold circuit. The A/D is of companding type according to A-law (ETC5057) or  $\mu$ -law (ETC5054) coding conventions. A precision voltage reference is trimmed in manufacturing to provide an input overload ( $t_{MAX}$ ) of nominally 2.5V peak (see table of transmission characteristics). The  $FS_X$  frame sync pulse controls the sampling of the filter output, and then the successive-ap-

proximation encoding cycle begins. The 8-bit code is then loaded into a buffer and shifted out through  $D_X$  at the next  $FS_X$  pulse. The total encoding delay will be approximately 165  $\mu$ s (due to the transmit filter) plus 125 $\mu$ s (due to encoding delay), which totals 290 $\mu$ s. Any offset voltage due to the filters or comparator is cancelled by sign bit integration.

#### RECEIVE SECTION

The receive section consists of an expanding DAC which drives a fifth order switched-capacitor low pass filter clocked at 256 kHz. The decoder is A-law (ETC5057) or  $\mu$ -law (ETC5054) and the 5th order low pass filter corrects for the  $\sin x/x$  attenuation due to the 8 kHz sample and hold. The filter is then followed by a 2nd order RC active post-filter and power amplifier capable of driving a 600 $\Omega$  load to a level of 7.2 dBm. The receive section is unity-gain. Upon the occurrence of  $FS_R$ , the data at the  $D_R$  input is clocked in on the falling edge of the next eight  $BCLK_R$  ( $BCLK_X$ ) periods. At the end of the decoder time slot, the decoding cycle begins, and 10 $\mu$ s later the decoder DAC output is updated. The total decoder delay is  $\sim$  10 $\mu$ s (decoder update) plus 110 $\mu$ s (filter delay) plus 62.5 $\mu$ s (1/2 frame), which gives approximately 180 $\mu$ s. A mute circuitry is active during 10ms when power up.

#### ABSOLUTE MAXIMUM RATINGS

Symbol	Parameter	Value	Unit
$V_{CC}$	$V_{CC}$ to GNDA	7	V
$V_{BB}$	$V_{BB}$ to GNDA	-7	V
$V_{IN}, V_{OUT}$	Voltage at any Analog Input or Output	$V_{CC} + 0.3$ to $V_{BB} - 0.3$	V
	Voltage at Any Digital Input or Output	$V_{CC} + 0.3$ to GNDA - 0.3	V
$T_{oper}$	Operating Temperature Range	-25 to +125	$^{\circ}$ C
$T_{stg}$	Storage Temperature Range	-65 to +150	$^{\circ}$ C
	Lead Temperature (soldering, 10 seconds)	300	$^{\circ}$ C

**ELECTRICAL OPERATING CHARACTERISTICS**  $V_{CC} = 5.0 \text{ V} \pm 5\%$ ,  $V_{BB} = -5.0 \text{ V} \pm 5\%$ ,  $GNDA = 0 \text{ V}$ ,  $T_A = 0 \text{ }^{\circ}\text{C}$  to  $70 \text{ }^{\circ}\text{C}$ ; Typical Characteristics Specified at  $V_{CC} = 5.0 \text{ V}$ ,  $V_{BB} = -5.0 \text{ V}$ ,  $T_A = 25 \text{ }^{\circ}\text{C}$ ; all signals are referenced to GNDA.

Symbol	Parameter	Min.	Typ.	Max.	Unit
$V_{IL}$	Input Low Voltage			0.6	V
$V_{IH}$	Input High Voltage	2.2			V
$V_{OL}$	Output Low Voltage $I_L = 3.2\text{mA}$ $I_L = 3.2\text{mA}$ , Open Drain			0.4	V
				0.4	V
$V_{OH}$	Output High Voltage $I_H = 3.2\text{mA}$	2.4			V
$I_{IL}$	Input Low Current ( $GNDA \leq V_{IN} \leq V_{IL}$ , all digital inputs)	-10		10	$\mu$ A
$I_{IH}$	Input High Current ( $V_{IH} \leq V_{IN} \leq V_{CC}$ ) except $BCLK_R/BCLKSEL$	-10		10	$\mu$ A
$I_{OZ}$	Output Current in HIGH Impedance State (TRI-STATE) ( $GNDA \leq V_O \leq V_{CC}$ )	-10		10	$\mu$ A

## ETC5054 - ETC5057

### ANALOG INTERFACE WITH TRANSMIT INPUT AMPLIFIER (all devices)

Symbol	Parameter	Min.	Typ.	Max.	Unit
I <sub>I</sub> XA	Input Leakage Current (-2.5V ≤ V ≤ +2.5V)	VF <sub>XI</sub> <sup>+</sup> or VF <sub>XI</sub> <sup>-</sup>	- 200	200	nA
R <sub>I</sub> XA	Input Resistance (-2.5V ≤ V ≤ +2.5V)	VF <sub>XI</sub> <sup>+</sup> or VF <sub>XI</sub> <sup>-</sup>	10		MΩ
R <sub>O</sub> XA	Output Resistance (closed loop, unity gain)		1	3	Ω
R <sub>L</sub> XA	Load Resistance	GS <sub>X</sub>	10		kΩ
C <sub>L</sub> XA	Load Capacitance	GS <sub>X</sub>		50	pF
V <sub>O</sub> XA	Output Dynamic Range (R <sub>L</sub> ≥ 10KΩ)	GS <sub>X</sub>	±2.8		V
AV <sub>X</sub> A	Voltage Gain (VF <sub>XI</sub> <sup>+</sup> to GS <sub>X</sub> )	5000			V/V
F <sub>U</sub> XA	Unity Gain Bandwidth	1	2		MHz
V <sub>OS</sub> XA	Offset Voltage	- 20		20	mV
V <sub>CM</sub> XA	Common-mode Voltage	- 2.5		2.5	V
CMRR <sub>XA</sub>	Common-mode Rejection Ratio	60			dB
PSRR <sub>XA</sub>	Power Supply Rejection Ratio	60			dB

### ANALOG INTERFACE WITH RECEIVE FILTER (all devices)

Symbol	Parameter	Min.	Typ.	Max.	Unit
R <sub>O</sub> RF	Output Resistance	VF <sub>RO</sub>	1	3	Ω
R <sub>L</sub> RF	Load Resistance (VF <sub>RO</sub> = ±2.5V)	600			Ω
C <sub>L</sub> RF	Load Capacitance			500	pF
V <sub>OS</sub> RO	Output DC Offset Voltage	- 200		200	mV

### POWER DISSIPATION (all devices)

Symbol	Parameter	Min.	Typ.	Max.	Unit
I <sub>CC0</sub>	Power-down Current		0.5	1.5	mA
I <sub>BB0</sub>	Power-down Current		0.05	0.3	mA
I <sub>CC1</sub>	Active Current		6.0	9.0	mA
I <sub>BB1</sub>	Active Current		6.0	9.0	mA

## TIMING SPECIFICATIONS

Symbol	Parameter	Min.	Typ.	Max.	Unit
1/t <sub>PM</sub>	Frequency of master clocks Depends on the device used and the BCLK <sub>R</sub> /CLKSEL Pin MCLK <sub>X</sub> and MCLK <sub>R</sub>		1.536 1.544 2.048		MHz MHz MHz
t <sub>WMH</sub>	Width of Master Clock High MCLK <sub>X</sub> and MCLK <sub>R</sub>	160			ns
t <sub>WML</sub>	Width of Master Clock Low MCLK <sub>X</sub> and MCLK <sub>R</sub>	160			ns
t <sub>RM</sub>	Rise Time of Master Clock MCLK <sub>X</sub> and MCLK <sub>R</sub>			50	ns
t <sub>FM</sub>	Fall Time of Master Clock MCLK <sub>X</sub> and MCLK <sub>R</sub>			50	ns
t <sub>PB</sub>	Period of Bit Clock	485	488	15.725	ns
t <sub>WBH</sub>	Width of Bit Clock High (V <sub>IH</sub> = 2.2V)	160			ns
t <sub>WBL</sub>	Width of Bit Clock Low (V <sub>IL</sub> = 0.6V)	160			ns
t <sub>RB</sub>	Rise Time of Bit Clock (t <sub>PB</sub> = 488ns)			50	ns
t <sub>FB</sub>	Fall Time of Bit Clock (t <sub>PB</sub> = 488ns)			50	ns
t <sub>SBFM</sub>	Set-up time from BCLK <sub>X</sub> high to MCLK <sub>X</sub> falling edge. (first bit clock after the leading edge of FS <sub>X</sub> )	100			ns
t <sub>HBF</sub>	Holding Time from Bit Clock Low to the Frame Sync (long frame only)	0			ns
t <sub>SBF</sub>	Set-up Time from Frame Sync to Bit Clock (long frame only)	80			ns
t <sub>HBF1</sub>	Hold Time from 3rd Period of Bit Clock Low to Frame Sync (long frame only)	100			ns
t <sub>DZF</sub>	Delay time to valid data from FS <sub>X</sub> or BCLK <sub>X</sub> , whichever comes later and delay time from FS <sub>X</sub> to data output disabled. (C <sub>L</sub> = 0pF to 150pF)	20		165	ns
t <sub>DBD</sub>	Delay time from BCLK <sub>X</sub> high to data valid. (load = 150pF plus 2 LSTTL loads)	0		180	ns
t <sub>DZC</sub>	Delay time from BCLK <sub>X</sub> low to data output disabled.	50		165	ns
t <sub>SDB</sub>	Set-up time from D <sub>R</sub> valid to BCLK <sub>R/X</sub> low.	50			ns
t <sub>HBD</sub>	Hold time from BCLK <sub>R/X</sub> low to D <sub>R</sub> invalid.	50			ns
t <sub>HOLD</sub>	Holding Time from Bit Clock High to Frame Sync (short frame only)	0			ns
t <sub>SF</sub>	Set-up Time from FS <sub>X/R</sub> to BCLK <sub>X/R</sub> Low (short frame sync pulse) - Note 1	80			ns
t <sub>HF</sub>	Hold Time from BCLK <sub>X/R</sub> Low to FS <sub>X/R</sub> Low (short frame sync pulse) - Note 1	100			ns
t <sub>XDP</sub>	Delay Time to TS <sub>X</sub> low (load = 150pF plus 2 LSTTL loads)			140	ns
t <sub>WFL</sub>	Minimum Width of the Frame Sync Pulse (low level) 64kbit/s operating mode)	160			ns

**Note 1:** For short frame sync timing FS<sub>X</sub> and FS<sub>R</sub> must go high while their respective bit clocks are high.

**Figure 1:** 64kbits/s TIMING DIAGRAM (see next page for complete timing).

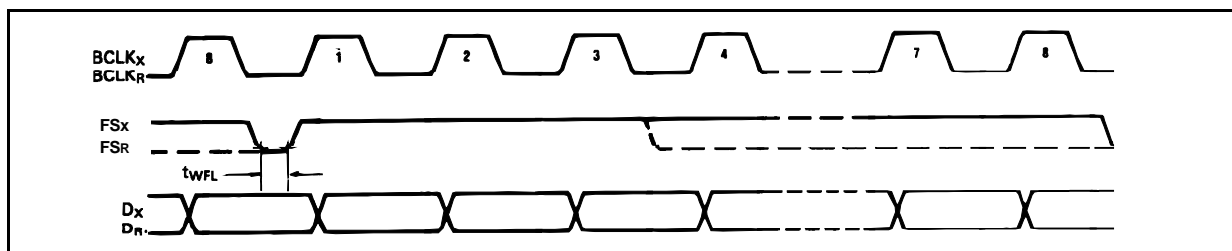


Figure 2: Short Frame Sync Timing

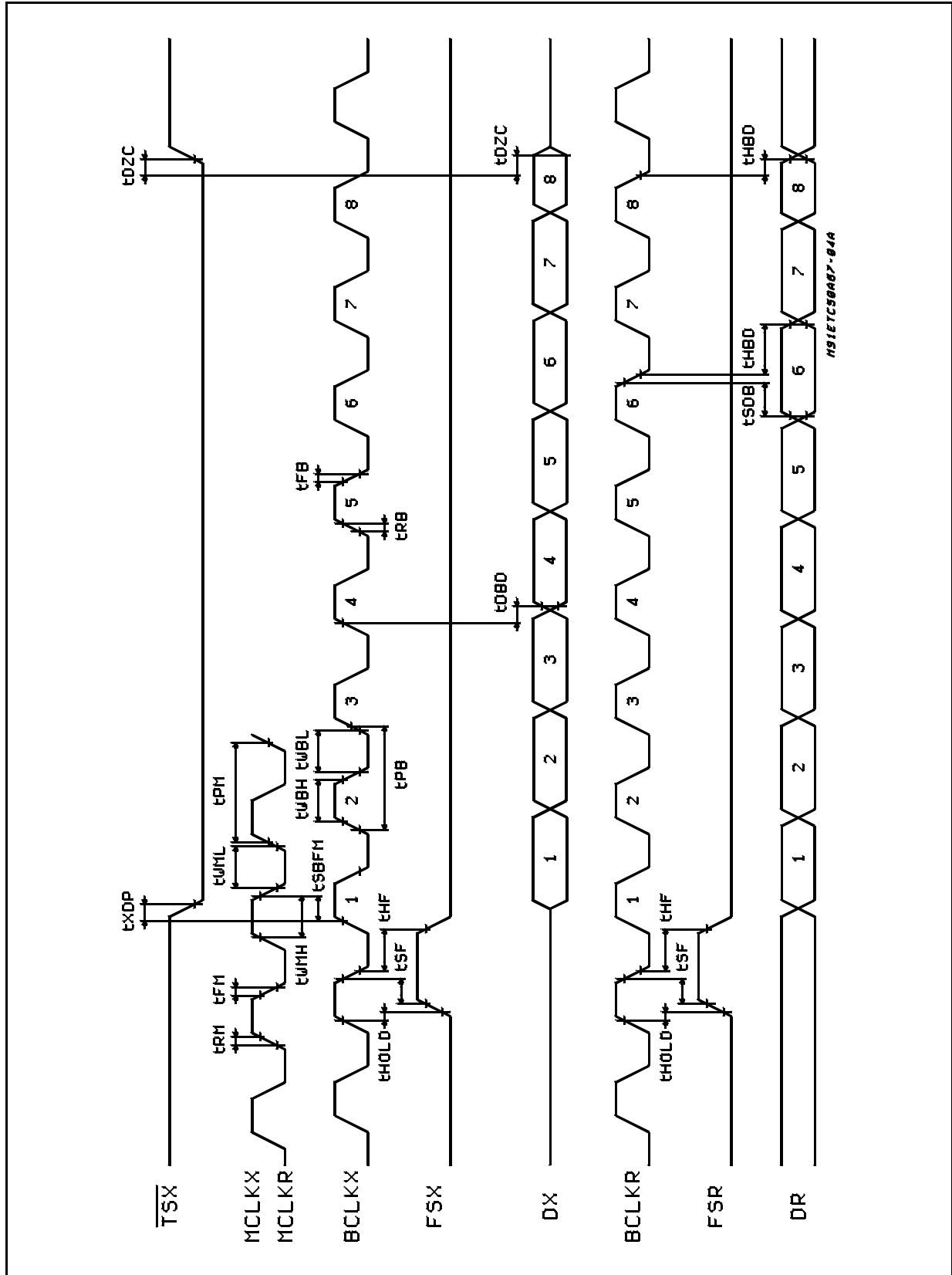
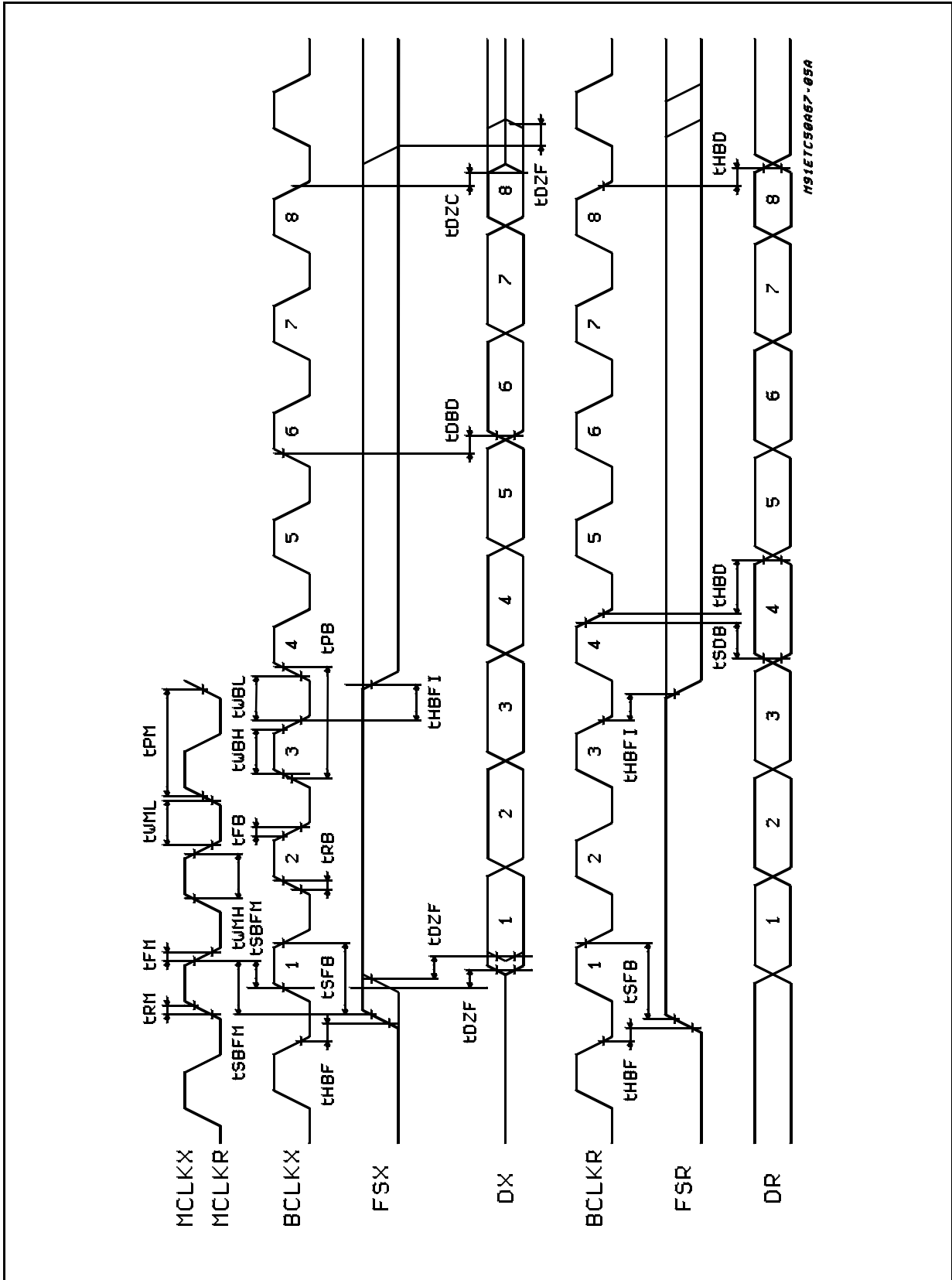




Figure 3: Long Frame Sync Timing



## ETC5054 - ETC5057

### TRANSMISSION CHARACTERISTICS

$T_A = 0$  to  $70^\circ\text{C}$ ,  $V_{CC} = +5\text{V} \pm 5\%$ ,  $V_{BB} = -5\text{V} \pm 5\%$ ,  $G_{NDA} = 0\text{V}$ ,  $f = 1.0\text{KHz}$ ,  $V_{IN} = 0\text{dBm0}$  transmit input amplifier connected for unity-gain non-inverting (unless otherwise specified).

### AMPLITUDE RESPONSE

Symbol	Parameter	Min.	Typ.	Max.	Unit
	Absolute levels - nominal 0 dBm0 level is 4 dBm (600 $\Omega$ ) 0 dBm0		1.2276		Vrms
$t_{MAX}$	Max Overload Level 3.14 dBm0 (A LAW) 3.17 dBm0 (U LAW)		2.492 2.501		$V_{PK}$ $V_{PK}$
$G_{XA}$	Transmit Gain, Absolute ( $T_A = 25^\circ\text{C}$ , $V_{CC} = 5\text{V}$ , $V_{BB} = -5\text{V}$ ) Input at $GS_X = 0\text{ dBm0}$ at 1020 Hz	- 0.15		0.15	dB
$G_{XR}$	Transmit Gain, Relative to $G_{XA}$ f = 16 Hz f = 50 Hz f = 60 Hz f = 180 Hz f = 200 Hz f = 300 Hz - 3000 Hz f = 3300 Hz f = 3400 Hz f = 4000 Hz f = 4600 Hz and up, Measure Response from 0 Hz to 4000 Hz	- 2.8 - 1.8 - 0.15 - 0.35 - 0.7		- 40 - 30 - 26 - 0.2 - 0.1 0.15 0.05 0 - 14 - 32	dB
$G_{XAT}$	Absolute Transmit Gain Variation with Temperature $T_A = 0$ to $+70^\circ\text{C}$	- 0.1		0.1	dB
$G_{XAV}$	Absolute Transmit Gain Variation with Supply Voltage ( $V_{CC} = 5\text{V} \pm 5\%$ , $V_{BB} = -5\text{V} \pm 5\%$ )	- 0.05		0.05	dB
$G_{XRL}$	Transmit Gain Variations with Level Sinusoidal Test Method Reference Level = - 10 dBm0 $VF_{Xl+} = -40\text{ dBm0}$ to $+3\text{ dBm0}$ $VF_{Xl+} = -50\text{ dBm0}$ to $-40\text{ dBm0}$ $VF_{Xl+} = -55\text{ dBm0}$ to $-50\text{ dBm0}$	- 0.2 - 0.4 - 1.2		0.2 0.4 1.2	dB dB dB
$G_{RA}$	Receive Gain, Absolute ( $T_A = 25^\circ\text{C}$ , $V_{CC} = 5\text{V}$ , $V_{BB} = -5\text{V}$ ) Input = Digital Code Sequence for 0dBm0 Signal at 1020Hz	- 0.15		0.15	dB
$G_{RR}$	Receive Gain, Relative to $G_{RA}$ f = 0Hz to 3000Hz f = 3300Hz f = 3400Hz f = 4000Hz	- 0.35 - 0.35 - 0.7		0.20 0.05 0 - 14	dB dB dB dB
$G_{RAT}$	Absolute Transmit Gain Variation with Temperature $T_A = 0$ to $+70^\circ\text{C}$	- 0.1		0.1	dB
$G_{RAV}$	Absolute Receive Gain Variation with Supply Voltage ( $V_{CC} = 5\text{V} \pm 5\%$ , $V_{BB} = -5\text{V} \pm 5\%$ )	- 0.05		0.05	dB
$G_{RRL}$	Receive Gain Variations with Level Sinusoidal Test Method; Reference input PCM code corresponds to an ideally encoded - 10 dBm0 signal PCM level = - 40 dBm0 to $+3\text{ dBm0}$ PCM level = - 50 dBm0 to $-40\text{ dBm0}$ PCM level = - 55 dBm0 to $-50\text{ dBm0}$	- 0.2 - 0.4 - 1.2		0.2 0.4 1.2	dB dB dB
$V_{RO}$	Receive Output Drive Level ( $R_L = 600\Omega$ )	- 2.5		2.5	V

**TRANSMISSION** (continued)

## ENVELOPE DELAY DISTORTION WITH FREQUENCY

Symbol	Parameter	Min.	Typ.	Max.	Unit
D <sub>XA</sub>	Transmit Delay, Absolute (f = 1600Hz)		290	315	μs
D <sub>XR</sub>	Transmit Delay, Relative to D <sub>XA</sub> f = 500Hz - 600Hz f = 600Hz - 800Hz f = 800Hz - 1000Hz f = 1000Hz - 1600Hz f = 1600Hz - 2600Hz f = 2600Hz - 2800Hz f = 2800Hz - 3000Hz		195 120 50 20 55 80 130	220 145 75 40 75 105 155	μs
D <sub>RA</sub>	Receive Delay, Absolute (f = 1600Hz)		180	200	μs
D <sub>RR</sub>	Receive Delay, Relative to D <sub>RA</sub> f = 500Hz - 1000Hz f = 1000Hz - 1600Hz f = 1600Hz - 2600Hz f = 2600Hz - 2800Hz f = 2800Hz - 3000Hz	- 40 - 30	- 25 - 20 70 100 145	90 125 175	μs

## NOISE

Symbol	Parameter	Min.	Typ.	Max.	Unit
N <sub>XP</sub>	Transmit Noise, P Message Weighted (A LAW, VFXI <sup>+</sup> = 0 V) 1)		- 74	- 69	dBm0p
N <sub>RP</sub>	Receive Noise, P Message Weighted (A LAW, PCM code equals positive zero)		- 82	- 79	dBm0p
N <sub>XC</sub>	Transmit Noise, C Message Weighted μ LAW (VFXI <sup>+</sup> = 0 V)		12	15	dBmC0
N <sub>RC</sub>	Receive Noise, C Message Weighted (μ LAW, PCM Code Equals Alternating Positive and Negative Zero)		8	11	dBmC0
N <sub>RS</sub>	Noise, Single Frequency f = 0 kHz to 100 kHz, Loop around Measurement, VFXI <sup>+</sup> = 0 Vrms			- 53	dBm0
PPSR <sub>X</sub>	Positive Power Supply Rejection, Transmit (note 2) V <sub>CC</sub> = 5.0 V <sub>DC</sub> + 100 mVrms, f = 0 kHz-50 kHz	40			dBp
NPSR <sub>X</sub>	Negative Power Supply Rejection, Transmit (note 2) V <sub>BB</sub> = - 5.0 V <sub>DC</sub> + 100 mVrms, f = 0 kHz-50 kHz	40			dBp
PPSR <sub>R</sub>	Positive Power Supply Rejection, Receive (PCM code equals positive zero, V <sub>CC</sub> = 5.0 V <sub>DC</sub> + 100mVrms) f = 0Hz to 4000Hz f = 4KHz to 25KHz f = 25KHz to 50KHz	40 40 36			dBp dB dB
NPSR <sub>R</sub>	Negative Power Supply Rejection, Receive (PCM code equals positive zero, V <sub>BB</sub> = 5.0 V <sub>DC</sub> + 100mVrms) f = 0Hz to 4000Hz f = 4KHz to 25KHz f = 25KHz to 50KHz	40 40 36			dBp dB dB

## ETC5054 - ETC5057

### TRANSMISSION CHARACTERISTICS (continued)

#### NOISE (continued)

Symbol	Parameter	Min.	Typ.	Max.	Unit
SOS	Spurious out-of-band Signals at the Channel Output				
	Loop around measurement, 0dBm0, 300Hz - 3400Hz input applied to DR, measure individual image signals at DX				
	4600Hz - 7600Hz 7600Hz - 8400Hz 8400Hz - 100,000Hz			- 32 - 40 - 32	dB dB dB

#### DISTORTION

Symbol	Parameter	Min.	Typ.	Max.	Unit
STD <sub>X</sub> or STD <sub>R</sub>	Signal to Total Distortion (sinusoidal test method)				
	Transmit or Receive Half-channel				
	Level = 3.0dBm0	33			
	Level = 0dBm0 to -30dBm0	36			
	Level = -40dBm0	29			
	XMT	29			
	RCV	30			
	XMT	14			
	RCV	15			
SFD <sub>X</sub>	Single Frequency Distortion, Transmit (T <sub>A</sub> = 25°C)			-46	dB
SFD <sub>R</sub>	Single Frequency Distortion, Receive (T <sub>A</sub> = 25°C)			-46	dB
IMD	Intermodulation Distortion Loop Around Measurement, VFXI+ = -4dBm0 to -21dBm0, two Frequencies in the Range 300Hz - 3400Hz			-41	dB

#### CROSSTALK

Symbol	Parameter	Min.	Typ.	Max.	Unit
CT <sub>X-R</sub>	Transmit to Receive Crosstalk, 0 dBm0 Transmit Level f = 300Hz to 3400Hz, D <sub>R</sub> = Steady PCM Mode		- 90	- 75	dB
CT <sub>R-X</sub>	Receive to Transmit Crosstalk, 0 dBm0 Receive Level f = 300Hz to 3400Hz, (note 2)		- 90	- 70	dB

#### Notes:

- 1) Measured by extrapolation from distortion test results.
- 2) PPSR<sub>X</sub>, NPSR<sub>X</sub>, CT<sub>R-X</sub> is measured with a -50dBm0 activating signal applied at VFXI+.

#### ENCODING FORMAT AT D<sub>X</sub> OUTPUT

	A-Law (including even bit inversion)	μLaw
V <sub>IN</sub> (at GS <sub>X</sub> ) = +Full-scale	1 0 1 0 1 0 1 0	1 0 0 0 0 0 0 0
V <sub>IN</sub> (at GS <sub>X</sub> ) = 0V	1 1 0 1 0 1 0 1 0 1 0 1 0 1 0 1	1 1 1 1 1 1 1 1 0 1 1 1 1 1 1 1
V <sub>IN</sub> (at GS <sub>X</sub> ) = - Full-scale	0 0 1 0 1 0 1 0	0 0 0 0 0 0 0 0

**APPLICATION INFORMATION**

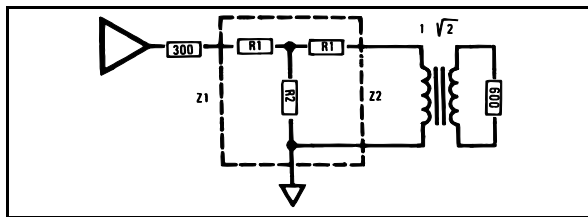
**POWER SUPPLIES**

While the pins at the ETC505X family are well protected against electrical misuse, it is recommended that the standard CMOS practice be followed, ensuring that ground is connected to the device before any-other connections are made. In applications where the printed circuit board may be plugged into a "hot" socket with power and clocks already present, an extra long ground pin in the connector should be used.

All ground connections to each device should meet at a common point as close as possible to the GNDA pin. This minimizes the interaction of ground return currents flowing through a common bus impedance. 0.1µF supply decoupling capacitors should be connected from this common ground point to VCC and VBB as close to the device as possible.

For best performance, the ground point of each CODEC/FILTER on a card should be connected to a common card ground in star formation, rather than via a ground bus. This common ground point should be decoupled to VCC and VBB with 10µF capacitors.

**Figure 4:** T-PAD Attenuator



$$R1 = Z1 \left( \frac{N^2 + 1}{N^2 - 1} \right) - 2 \sqrt{Z1 \cdot Z2} \left( \frac{N}{N^2 - 1} \right)$$

$$R2 = 2 \sqrt{Z1 \cdot Z2} \left( \frac{N}{N^2 - 1} \right)$$

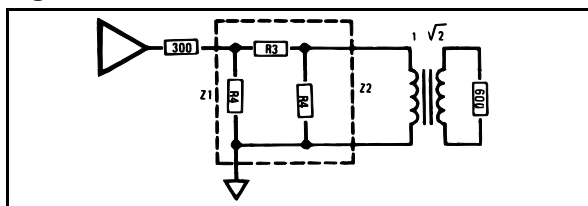
Where:  $N = \sqrt{\frac{POWERIN}{POWEROUT}}$

and:  $S = \sqrt{\frac{Z1}{Z2}}$

Also :  $Z = \sqrt{Z_{SC} \cdot Z_{OC}}$

Where Z<sub>SC</sub> = impedance with short circuit termination and Z<sub>OC</sub> = impedance with open circuit termination.

**Figure 5:** Π-PAD Attenuator



$$R3 = \sqrt{\frac{Z1 \cdot Z2}{2}} \left( \frac{N^2 - 1}{N} \right)$$

$$R3 = Z1 \left( \frac{N^2 - 1}{N^2 - 2NS + 1} \right)$$

**RECEIVE GAIN ADJUSTMENT**

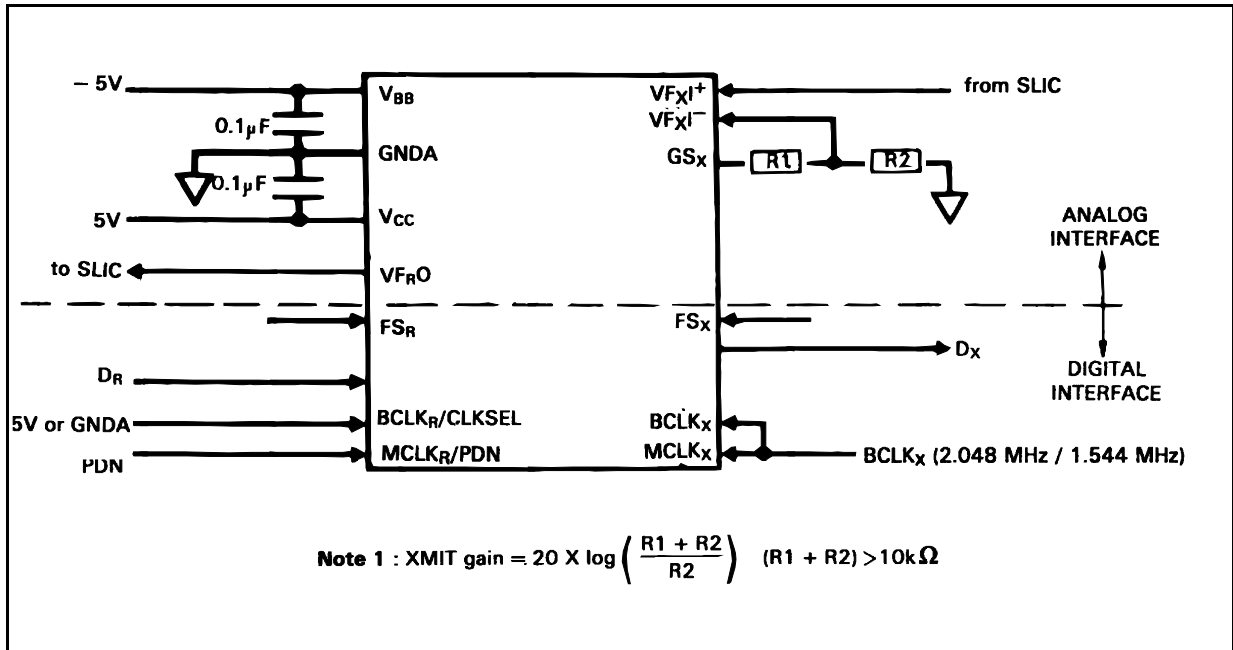
For applications where a ETC505X family CODEC/filter receive output must drive a 600Ω load, but a peak swing lower than ± 2.5V is required, the receive gain can be easily adjusted by inserting a matched T-pad or π -pad at the output. Table II lists the required resistor values for 600Ω terminations. As these are generally non-standard values, the equations can be used to compute the attenuation of the closest practical set of resistors. It may be necessary to use unequal values for the R1 or R4 arms of the attenuators to achieve a precise attenuation. Generally it is tolerable to allow a small deviation of the input impedance from nominal while still maintaining a good return loss. For example a 30dB return loss against 600Ω is obtained if the output impedance of the attenuator is in the range 282Ω to 319Ω (assuming a perfect transformer).

**Table 2 :** Attenuator Tables For Z1 = Z2 = 300 Ω (all values in Ω).

dB	R1	R2	R3	R4
0.1	1.7	26k	3.5	52k
0.2	3.5	13k	6.9	26k
0.3	5.2	8.7k	10.4	17.4k
0.4	6.9	6.5k	13.8	13k
0.5	8.5	5.2k	17.3	10.5k
0.6	10.4	4.4k	21.3	8.7k
0.7	12.1	3.7k	24.2	7.5k
0.8	13.8	3.3k	27.7	6.5k
0.9	15.5	2.9k	31.1	5.8k
1.0	17.3	2.6k	34.6	5.2k
2	34.4	1.3k	70	2.6k
3	51.3	850	107	1.8k
4	68	650	144	1.3k
5	84	494	183	1.1k
6	100	402	224	900
7	115	380	269	785
8	129	284	317	698
9	143	244	370	630
10	156	211	427	527
11	168	184	490	535
12	180	161	550	500
13	190	142	635	473
14	200	125	720	450
15	210	110	816	430
16	218	98	924	413
18	233	77	1.17k	386
20	246	61	1.5k	366

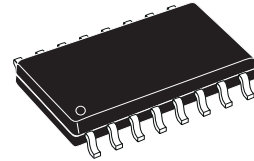


Figure 6: Typical Synchronous Application.

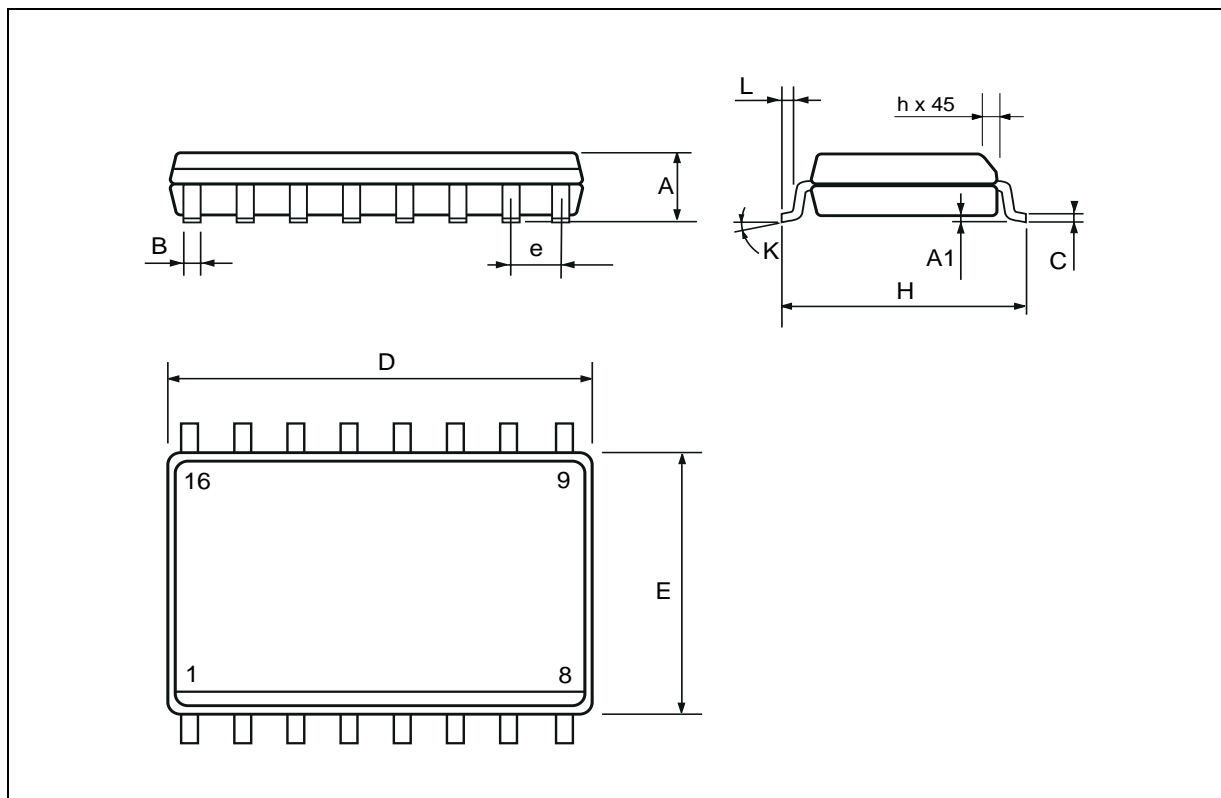


DIM.	mm			inch		
	MIN.	TYP.	MAX.	MIN.	TYP.	MAX.
A	2.35		2.65	0.093		0.104
A1	0.1		0.3	0.004		0.012
B	0.33		0.51	0.013		0.020
C	0.23		0.32	0.009		0.013
D	10.1		10.5	0.398		0.413
E	7.4		7.6	0.291		0.299
e		1.27			0.050	
H	10		10.65	0.394		0.419
h	0.25		0.75	0.010		0.030
L	0.4		1.27	0.016		0.050
K	0° (min.)8° (max.)					

### OUTLINE AND MECHANICAL DATA

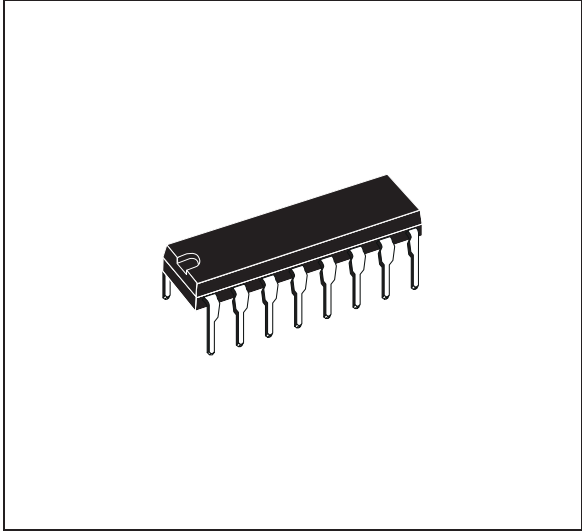


**SO16 Wide**

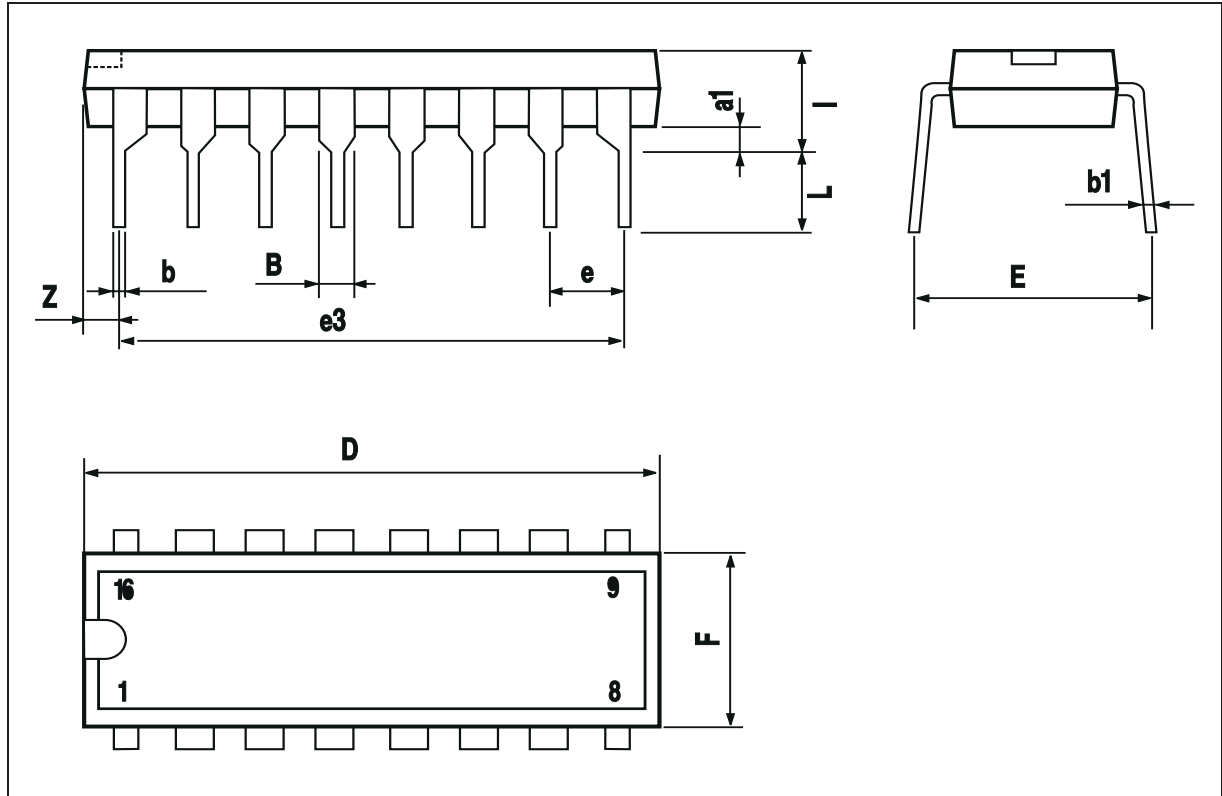


DIM.	mm			inch		
	MIN.	TYP.	MAX.	MIN.	TYP.	MAX.
a1	0.51			0.020		
B	0.77		1.65	0.030		0.065
b		0.5			0.020	
b1		0.25			0.010	
D			20			0.787
E		8.5			0.335	
e		2.54			0.100	
e3		17.78			0.700	
F			7.1			0.280
I			5.1			0.201
L		3.3			0.130	
Z			1.27			0.050

**OUTLINE AND MECHANICAL DATA**



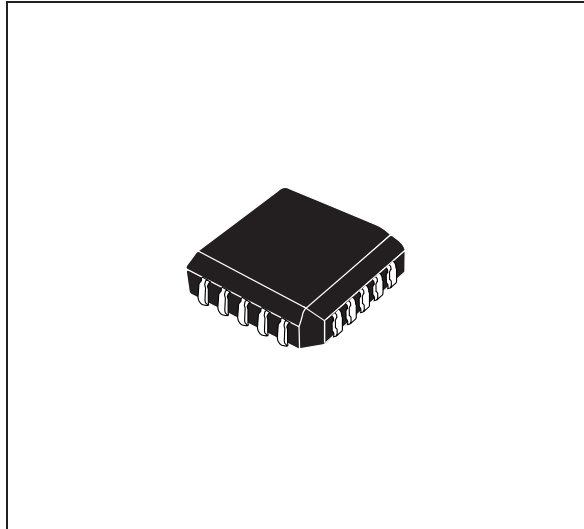
**DIP16**



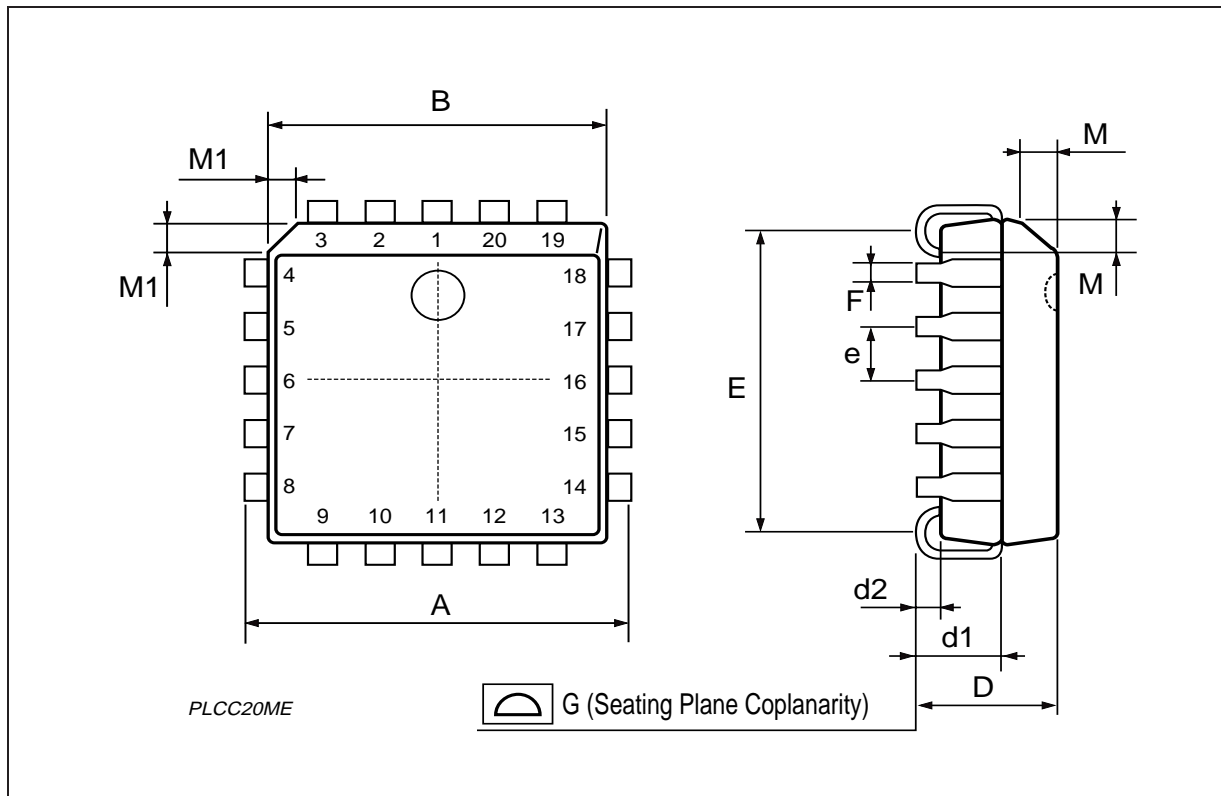


DIM.	mm			inch		
	MIN.	TYP.	MAX.	MIN.	TYP.	MAX.
A	9.78		10.03	0.385		0.395
B	8.89		9.04	0.350		0.356
D	4.2		4.57	0.165		0.180
d1		2.54			0.100	
d2		0.56			0.022	
E	7.37		8.38	0.290		0.330
e		1.27			0.050	
F		0.38			0.015	
G			0.101			0.004
M		1.27			0.050	
M1		1.14			0.045	

**OUTLINE AND MECHANICAL DATA**



**PLCC20**



Information furnished is believed to be accurate and reliable. However, STMicroelectronics assumes no responsibility for the consequences of use of such information nor for any infringement of patents or other rights of third parties which may result from its use. No license is granted by implication or otherwise under any patent or patent rights of STMicroelectronics. Specification mentioned in this publication are subject to change without notice. This publication supersedes and replaces all information previously supplied. STMicroelectronics products are not authorized for use as critical components in life support devices or systems without express written approval of STMicroelectronics.

The ST logo is a registered trademark of STMicroelectronics  
© 2000 STMicroelectronics – Printed in Italy – All Rights Reserved  
STMicroelectronics GROUP OF COMPANIES

Australia - Brazil - China - Finland - France - Germany - Hong Kong - India - Italy - Japan - Malaysia - Malta - Morocco -  
Singapore - Spain - Sweden - Switzerland - United Kingdom - U.S.A.

<http://www.st.com>