



SOT-23-3L Encapsulate Three Terminal Voltage Regulator

CJ79L05 Three-terminal negative voltage regulator

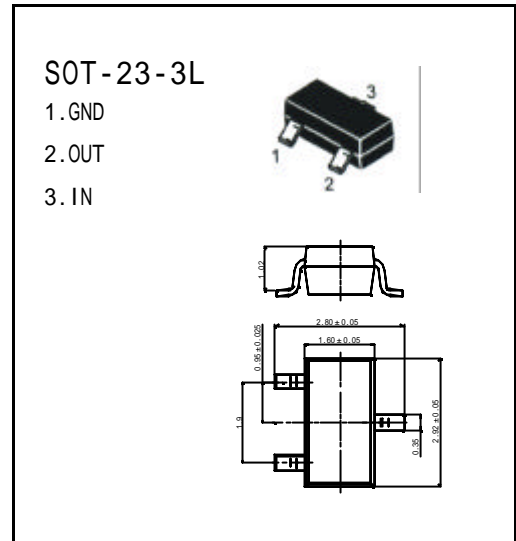
FEATURES

Maximum Output current

$I_{OM}: 0.1\text{ A}$

Output voltage

$V_O: -5\text{ V}$



ABSOLUTE MAXIMUM RATINGS (Operating temperature range applies unless otherwise specified)

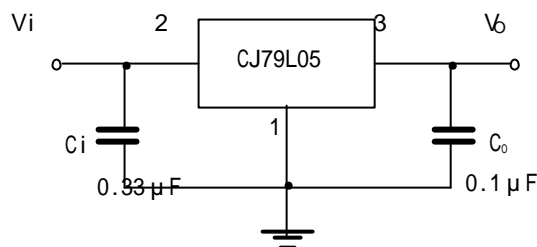
Parameter	Symbol	Value	Units
Input Voltage	V_i	-30	V
Operating Junction Temperature Range	T_{OPR}	0—+125	
Storage Temperature Range	T_{STG}	-55—+150	

ELECTRICAL CHARACTERISTICS

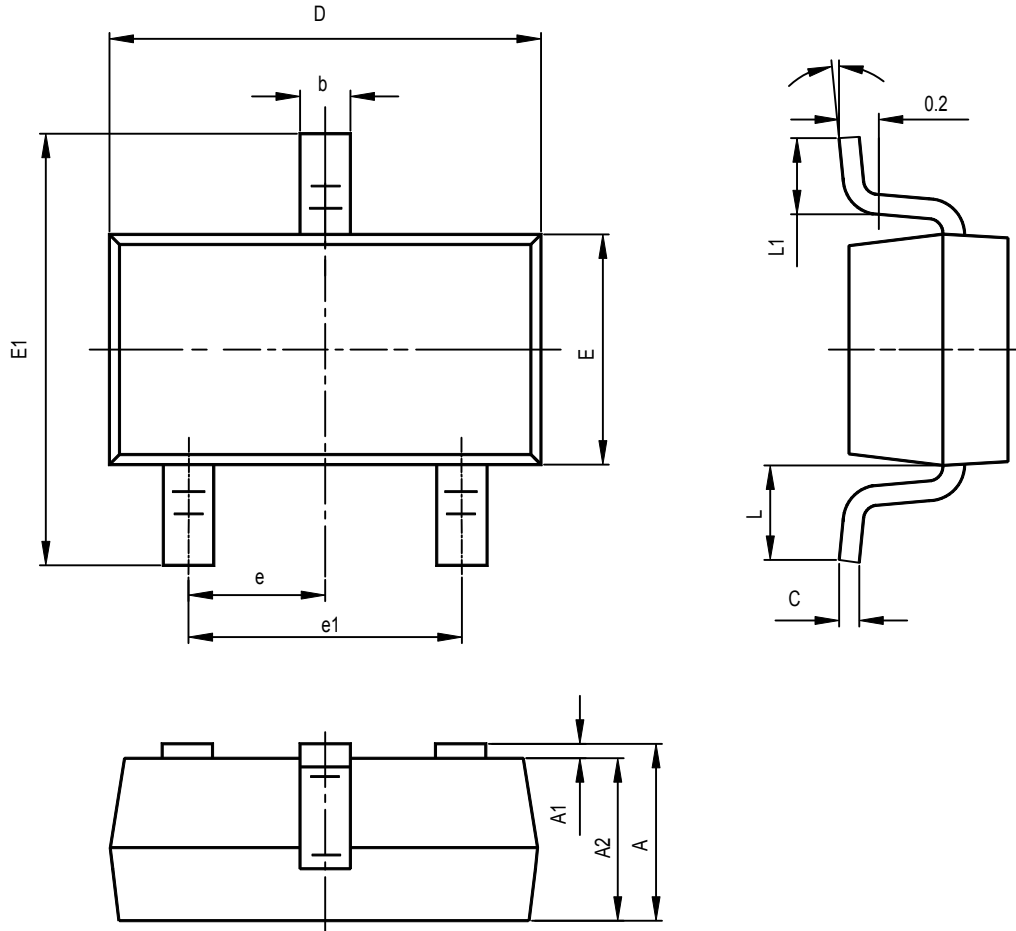
($V_i=10\text{V}, I_o=40\text{mA}, 0 < T_j < 125$, $C_1=0.33\ \mu\text{F}, C_o=0.1\ \mu\text{F}$, unless otherwise specified)

Parameter	Symbol	Test conditions	MIN	TYP	MAX	UNIT
Output voltage	V_o	$V_i=-10\text{V}, I_o=40\text{mA}$	-4.8	-5.0	-5.2	V
Load Regulation	V_o-I_o	$V_i=-10\text{V}, I_o=1\text{mA}\sim 100\text{mA}$		20	60	mV
Line regulation	V_o-V_i	$V_i=-7\text{V}\sim -20\text{V}, I_o=40\text{mA}$		15	150	mV
Quiescent Current	I_q	$V_i=-10\text{V}, I_o=40\text{mA}$			6	mA
Output Noise Voltage	V_N	10Hz f 100KHz, $V_i=-10\text{V}, I_o=40\text{mA}$		40		uV
Ripple Rejection	RR	$V_i=-8\text{V}\sim -18\text{V}, I_o=40\text{mA}, e_i=1V_{P-P}, f=120\text{Hz}$	41	49		dB

TYPICAL APPLICATION



SOT-23-3L PACKAGE OUTLINE DIMENSIONS



Symbol	Dimensions In Millimeters		Dimensions In Inches	
	Min	Max	Min	Max
A	1.050	1.250	0.041	0.049
A1	0.000	0.100	0.000	0.004
A2	1.050	1.150	0.041	0.045
b	0.300	0.400	0.012	0.016
c	0.100	0.200	0.004	0.008
D	2.820	3.020	0.111	0.119
E	1.500	1.700	0.059	0.067
E1	2.650	2.950	0.104	0.116
e	0.950TPY		0.037TPY	
e1	1.800	2.000	0.071	0.079
L	0.700REF		0.028REF	
L1	0.300	0.600	0.012	0.024
θ	0°	8°	0°	8°