

PLEASE CHECK WWW.MOLEX.COM FOR LATEST PART INFORMATION

Part Number: [0019092019](#)
Status: **Active**
Overview: [standard_093](#)
Description: 2.36mm (.093") Diameter Standard .093" Pin and Socket Plug Housing With Positive Latch, UL 94V-2, 1 Circuit

Documents:

[3D Model](#) [Packaging Specification \(PDF\)](#)
[Drawing \(PDF\)](#) [RoHS Certificate of Compliance \(PDF\)](#)

Agency Certification

CSA LR19980
TUV R72081037
UL E29179

General

Product Family Crimp Housings
Series [3191](#)
Comments Polarized to Mating Part, Without Mounting Ears
Overview [standard_093](#)
Product Name Standard .093"

Physical

Breakaway No
Circuits (maximum) 1
Color - Resin Natural
Flammability 94V-2
Gender Dual
Glow-Wire Compliant No
Keying to Mating Part None
Lock to Mating Part Yes
Material - Resin Nylon
Number of Rows 1
Packaging Type Bag
Panel Mount No
Pitch - Mating Interface (in) 0.264 In
Pitch - Mating Interface (mm) 6.71 mm
Polarized to Mating Part Yes
Stackable No
Temperature Range - Operating -40°C to +105°C

Electrical

Current - Maximum per Contact 12A

Material Info

Old Part Number 3191-1P1

Reference - Drawing Numbers

Sales Drawing SD-3191-1*

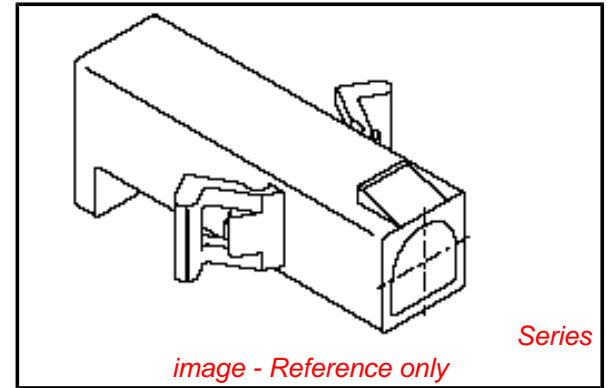


image - Reference only

EU RoHS

ELV and RoHS Compliant

REACH SVHC

Not Reviewed

Halogen-Free

Status

Not Reviewed

China RoHS



Need more information on product environmental compliance?

Email productcompliance@molex.com
For a multiple part number RoHS Certificate of Compliance, [click here](#)

Please visit the [Contact Us](#) section for any non-product compliance questions.

Search Parts in this Series

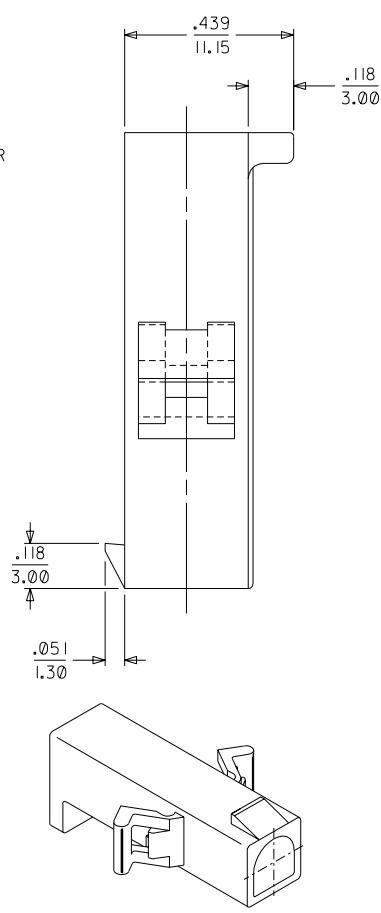
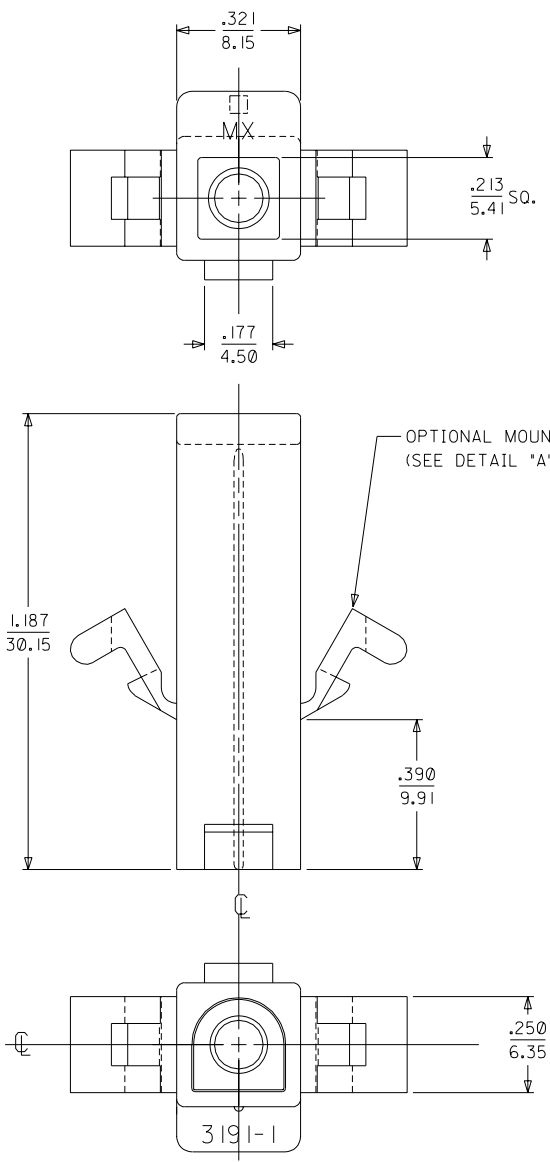
[3191Series](#)

Mates With

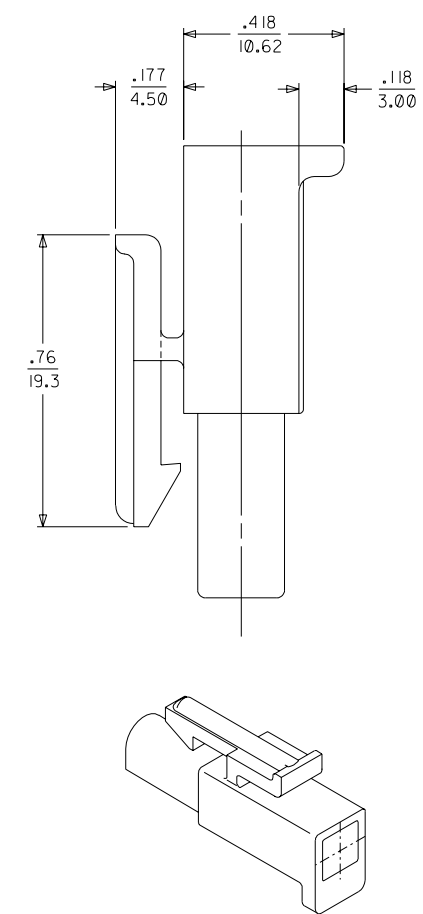
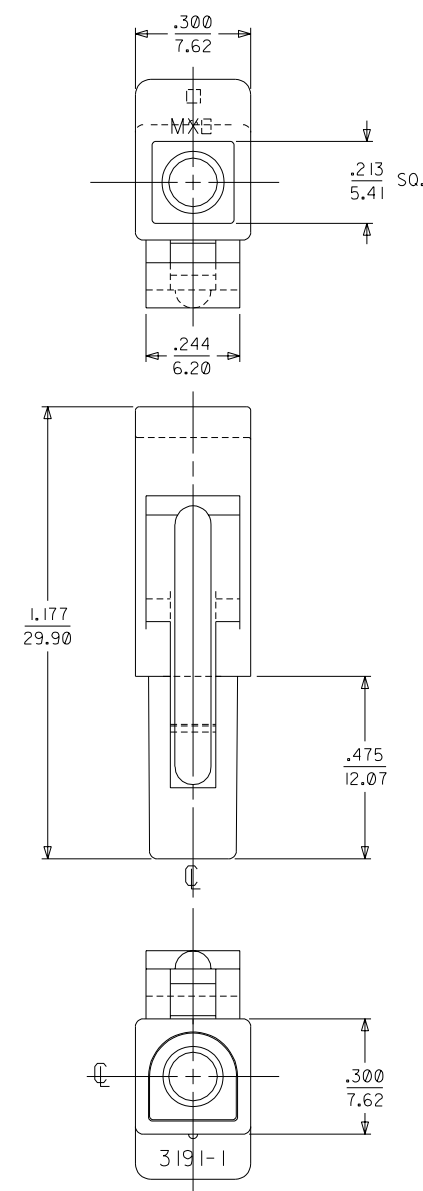
[3191](#) Pin and Socket Rectacle, [5219](#) Vertical PCB Header

Use With

[1189](#) Crimp Terminals, [1190](#) Crimp Terminals, [1380](#) Male Crimp Terminals, [1381](#) Female Crimp Terminals, [1433](#) Crimp Terminals, [1434](#) Male Crimp Terminals, [2605](#) , [2606](#) , [1973](#) , [2151](#) , [2273](#) , [2870](#) , [2871](#) , [4272](#) , Lin



PLUG



RECEPTACLE

OBSOLETE 3191-1R1RD EC NO. LUCP2004-0423 DRWN: ELHAG 09/03/03 CHK: ELHAG 09/03/03 APPR: FSMITH 09/10/03	QUALITY SYMBOLS	GENERAL TOLERANCES: (UNLESS SPECIFIED)	SCALE 4 : 1	DESIGN UNITS <input type="checkbox"/> mm <input checked="" type="checkbox"/> INCH	THIRD ANGLE PROJECTION <input type="checkbox"/> mm <input checked="" type="checkbox"/> INCH <input type="checkbox"/> mm ONLY	DIMENSIONS: <input type="checkbox"/> mm <input checked="" type="checkbox"/> INCH <input type="checkbox"/> mm ONLY	2 E	E	
	MAJOR $\blacktriangledown = 0$	4 PLACES $\pm 0.---$ $\pm .---$	DRAWN BY & DATE JBS 06/10/03	TITLE: .093/(2.36) HOUSING, PLUG AND RECEPTACLE, 1 - CIRCUIT				1 E	E
	CRITICAL $\nabla = 0$	3 PLACES $\pm 0.$ $\pm .010$	CHECKED BY & DATE BW 06/13/03	MATERIAL NO. DRAWING NO. SD-3191-1*				SHT 1	REV
		2 PLACES ± 0.25 $\pm .014$	APPROVED BY & DATE BW 06/16/03	MOLEX INCORPORATED				10 of 2	
		1 PLACE ± 0.36 $\pm .$	ANGULAR: $\pm 1^\circ$	CAD FILENAME SD-3191-1.DGN	SEE CHART				SHEET NO. 1 of 2
REV E	DESCRIPTION	DRAFT WHERE APPLICABLE MUST REMAIN WITHIN DIMENSIONS	THIS DRAWING CONTAINS INFORMATION THAT IS PROPRIETARY TO MOLEX INCORPORATED AND SHOULD NOT BE USED WITHOUT WRITTEN PERMISSION.				SIZE C		

PLUG		RECEPTACLE		OBSOLETE
PART NO.	ENG. NO.	PART NO.	ENG. NO.	
19-09-2018	3191-IP	19-09-1019	3191-IR1	
19-09-2019	3191-IP1	19-09-1016	3191-IR1-201	
19-09-2017	3191-IP-201	19-09-6010	3191-IRIRD	
19-09-2016	3191-IP1-201	19-09-6011	3191-IRIBU	
19-09-2015	3191-IPRD			

LEGEND

3191-|****-*

CIRCUIT SIZE

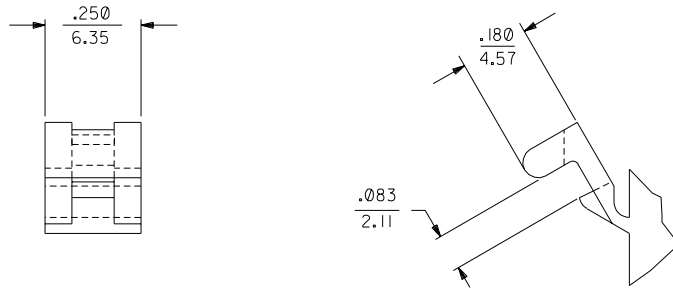
P = PLUG
R = RECEPTACLE

EARS: BLANK = WITH PREBENT EARS (PLUG ONLY)
I = WITHOUT EARS

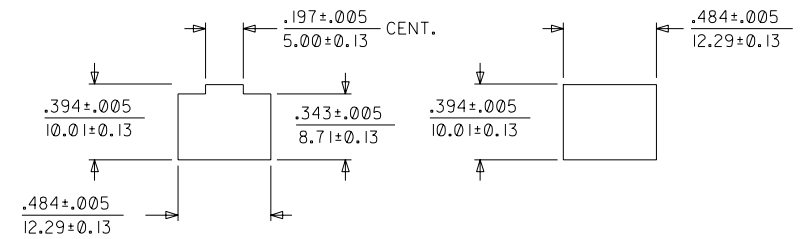
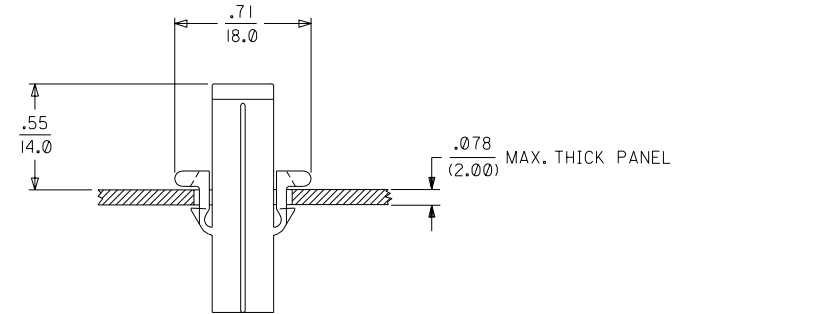
COLOR: BLANK = NATURAL COLOR

AM=AMBER BK=BLACK BU=BLUE
BN=BROWN GY=GRAY GN=GREEN
OR=ORANGE RD=RED YW=YELLOW

MATERIAL: PER NOTE 1.



DETAIL "A"
PREBENT MOUNTING EAR
(SCALE 4:1)



RECOMMENDED HOLE CUTOUT
(SCALE 2:1)

OPTIONAL HOLE CUTOUT
(SCALE 2:1)

NOTES:

- MATERIAL:
"BLANK" - NYLON TYPE 6/6, 94V-2. COLOR: NATURAL.
201 - NYLON TYPE 6/6, 94V-0. COLOR: WHITE.
- FINISH: NONE.

DIMENSIONS SHOWN (METRIC) INCH

UNLESS OTHERWISE SPECIFIED TOLERANCES: ANGULAR ± .04° | 10

	INCH	METRIC
3 PLACE	± .010	---
2 PLACE	± .014	± 0.25
1 PLACE	---	± 0.36

DRAFT WHERE APPLICABLE MUST REMAIN WITHIN DIMENSIONS

DRWG. BY: JBS
CHK'D. BY: BW
APP'D. BY: BW
SCALE: ---:---

▽ = 0 ▼ = 0 REVISE ONLY ON CAD SYSTEM

TITLE: .093/(2.36) HOUSINGS PLUG AND RECEPTACLE I CIRCUIT

MOLEX INCORPORATED U.S.A. SHEET NO. 2 DATE 06/10/03

PART NO. SD-3191-1*

SEE CHART

THIS DRAWING CONTAINS INFORMATION THAT IS PROPRIETARY TO MOLEX INC. AND SHOULD NOT BE USED WITHOUT WRITTEN PERMISSION.

LTR.	REVISIONS	LTR.	REVISIONS
	E		SEE SHEET 1
	D4		SEE SHEET 1