



# LDMOS FIELD EFFECT TRANSISTOR

# NE55410GR

## N-CHANNEL SILICON POWER LDMOS FET FOR 2 W + 10 W VHF to L-BAND SINGLE-END POWER AMPLIFIER

### DESCRIPTION

The NE55410GR is an N-channel enhancement-mode LDMOS FET designed for driver 0.1 to 2.6 GHz PA, such as, cellular base station amplifier, analog/digital TV-transmitters, and the other PA's. This product has two different FET's on one die manufactured using our NEWMOS technology (our WSi gate lateral MOS FET), and its nitride surface passivation and quadruple layer aluminum silicon metalization offer a high degree of reliability.

### FEATURES

- Two different FET's (Q1 :  $P_{out} = 2\text{ W}$ , Q2 :  $P_{out} = 10\text{ W}$ ) in one package
- ★ • Over 25 dB gain available by connecting two FET's in series
- ★ :  $G_L(Q1) = 13.5\text{ dB TYP.}$  ( $V_{DS} = 28\text{ V}$ ,  $I_{Dset}(Q1) = 20\text{ mA}$ ,  $f = 2\text{ 140 MHz}$ )
- ★ :  $G_L(Q2) = 11.0\text{ dB TYP.}$  ( $V_{DS} = 28\text{ V}$ ,  $I_{Dset}(Q2) = 100\text{ mA}$ ,  $f = 2\text{ 140 MHz}$ )
- ★ • High 1 dB compression output power :  $P_{O(1\text{ dB})}(Q1) = 35.4\text{ dBm TYP.}$  ( $V_{DS} = 28\text{ V}$ ,  $I_{Dset}(Q1) = 20\text{ mA}$ ,  $f = 2\text{ 140 MHz}$ )
- ★ :  $P_{O(1\text{ dB})}(Q2) = 40.4\text{ dBm TYP.}$  ( $V_{DS} = 28\text{ V}$ ,  $I_{Dset}(Q2) = 100\text{ mA}$ ,  $f = 2\text{ 140 MHz}$ )
- ★ • High drain efficiency :  $\eta_d(Q1) = 52\% \text{ TYP.}$  ( $V_{DS} = 28\text{ V}$ ,  $I_{Dset}(Q1) = 20\text{ mA}$ ,  $f = 2\text{ 140 MHz}$ )
- ★ :  $\eta_d(Q2) = 46\% \text{ TYP.}$  ( $V_{DS} = 28\text{ V}$ ,  $I_{Dset}(Q2) = 100\text{ mA}$ ,  $f = 2\text{ 140 MHz}$ )
- ★ • Low intermodulation distortion :  $IM_3(Q1) = -40\text{ dBc TYP.}$  ( $V_{DS} = 28\text{ V}$ ,  $I_{Dset}(Q1+Q2) = 120\text{ mA}$ ,  
 $f = 2\text{ 132.5/2 147.5 MHz}$ ,  $P_{out} = 33\text{ dBm}$  (2 tones) )
- Single Supply ( $V_{DS} : 3\text{ V} < V_{DS} \leq 30\text{ V}$ )
- Excellent Thermal Stability
- Surface mount type and Super low cost plastic package : 16-pin plastic HTSSOP
- Integrated ESD protection
- Excellent stability against HCI (Hot Carrier Injection)

### APPLICATION

- Digital cellular base station PA : W-CDMA/GSM/D-AMPS/PDC/N-CDMA/PCS etc.
- UHF-band TV transmitter PA

**Caution** Observe precautions when handling because these devices are sensitive to electrostatic discharge.

The information in this document is subject to change without notice. Before using this document, please confirm that this is the latest version.

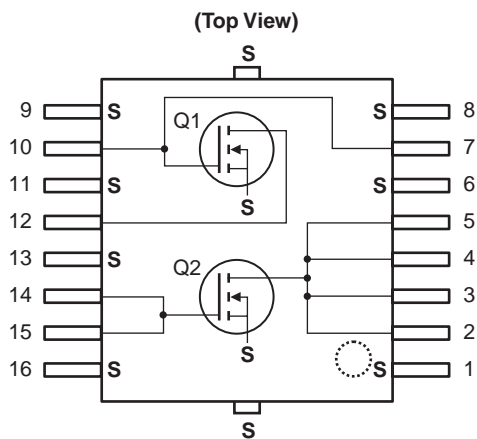
★ ORDERING INFORMATION

Part Number	Order Number	Package	Marking	Supplying Form
NE55410GR	NE55410GR-T3-AZ	16-pin plastic HTSSOP (Pb-Free) <sup>Note</sup>	55410	<ul style="list-style-type: none"> <li>• Embossed tape 12 mm wide</li> <li>• Pin 1 and 8 indicates pull-out direction of tape</li> <li>• Qty 1 kpcs/reel</li> </ul>

**Note** With regards to terminal solder (the solder contains lead) plated products (conventionally plated), contact your nearby sales office.

**Remark** To order evaluation samples, contact your nearby sales office.  
Part number for sample order: NE55410GR

PIN CONNECTIONS AND INTERNAL BLOCK DIAGRAM



Pin No.	Pin Name	Pin No.	Pin Name
1	Source	9	Source
2	Drain (Q2)	10	Gate (Q1)
3	Drain (Q2)	11	Source
4	Drain (Q2)	12	Drain (Q1)
5	Drain (Q2)	13	Source
6	Source	14	Gate (Q2)
7	Gate (Q1)	15	Gate (Q2)
8	Source	16	Source

**Remark** All the terminals of a Q2 connected to a circuit. Backside : Source (S)

ABSOLUTE MAXIMUM RATINGS (T<sub>A</sub> = +25°C, unless otherwise specified)

Parameter	Symbol	Test Conditions	Ratings	Unit
Drain to Source Voltage	V <sub>DS</sub>		65	V
Gate to Source Voltage	V <sub>GS</sub>		±7	V
Drain Current (Q1)	I <sub>D (Q1)</sub>		0.25	A
Drain Current (Q2)	I <sub>D (Q2)</sub>		1.0	A
★ Total Device Dissipation (T <sub>case</sub> = 25°C)	P <sub>tot</sub>		40	W
★ Input Power (Q1)	P <sub>in (Q1)</sub>	f = 2.14 GHz, V <sub>DS</sub> = 28 V	0.3	W
★ Input Power (Q2)	P <sub>in (Q2)</sub>	f = 2.14 GHz, V <sub>DS</sub> = 28 V	1.5	W
Channel Temperature	T <sub>ch</sub>		150	°C
Storage Temperature	T <sub>stg</sub>		-65 to +150	°C

**THERMAL RESISTANCE (T<sub>A</sub> = +25°C)**

Parameter	Symbol	Test Conditions	MIN.	TYP.	MAX.	Unit
★ Channel to Case Resistance	R <sub>th (ch-c)</sub>		–	2.5	3.0	°C/W

**RECOMMENDED OPERATING CONDITIONS (T<sub>A</sub> = +25°C)**

Parameter	Symbol	MIN.	TYP.	MAX.	Unit
★ Drain to Source Voltage	V <sub>DS</sub>	–	28	30	V
★ Gate to Source Voltage	V <sub>GS</sub>	2.7	3.3	3.7	V
★ Input Power (Q1), CW	P <sub>in (Q1)</sub>	–	15	23	dBm
★ Input Power (Q2), CW	P <sub>in (Q2)</sub>	–	20	30	dBm

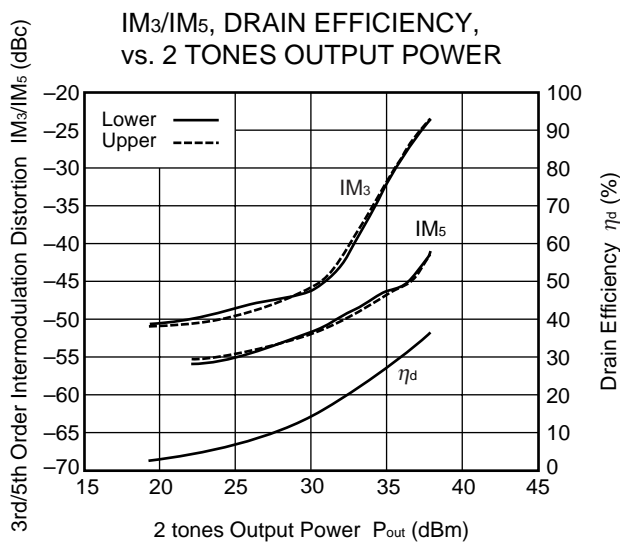
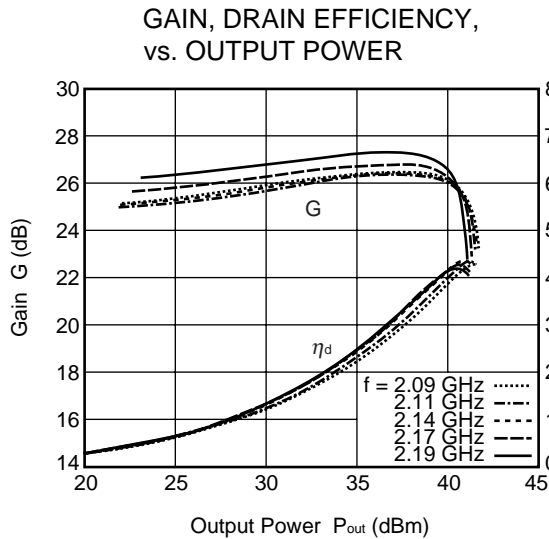
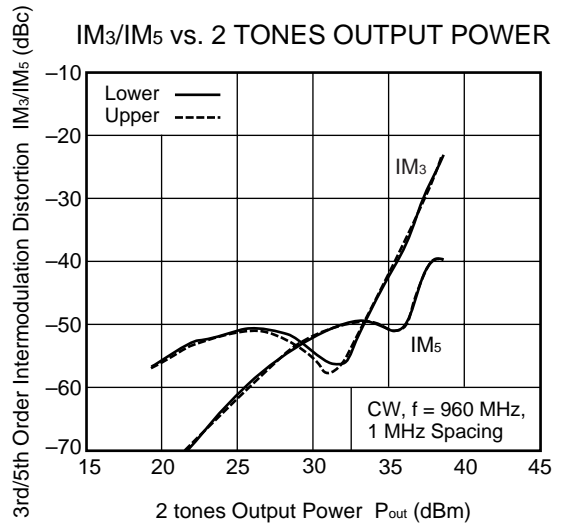
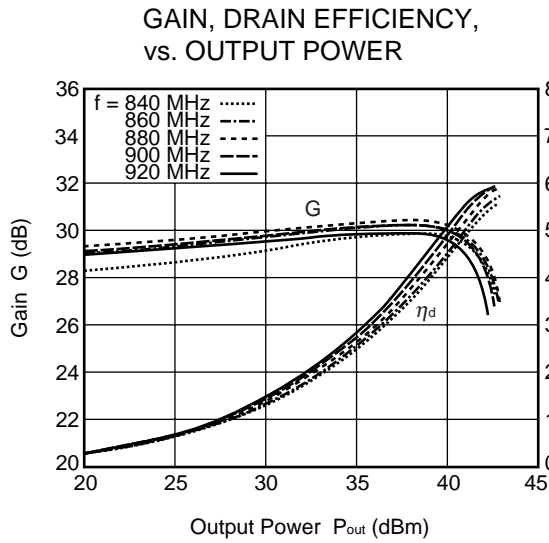
**ELECTRICAL CHARACTERISTICS (T<sub>A</sub> = +25°C)**

Parameter	Symbol	Test Conditions	MIN.	TYP.	MAX.	Unit
<b>Q1</b>						
★ Gate to Source Leak Current	I <sub>GSS (Q1)</sub>	V <sub>GS</sub> = 5V	–	–	1	μA
★ Drain to Source Leakage Current	I <sub>DSS (Q1)</sub>	V <sub>DSS</sub> = 65 V	–	–	1	mA
★ Gate Threshold Voltage	V <sub>th (Q1)</sub>	V <sub>DS</sub> = 10 V, I <sub>DS</sub> = 1 mA	2.2	2.8	3.4	V
★ Transconductance	g <sub>m (Q1)</sub>	V <sub>DS</sub> = 28 V, I <sub>DS</sub> = 20 mA	–	0.09	–	S
★ Drain to Source Breakdown Voltage	BV <sub>DSS (Q1)</sub>	I <sub>DSS</sub> = 10 μA	65	75	–	V
<b>Q2</b>						
★ Gate to Source Leak Current	I <sub>GSS (Q2)</sub>	V <sub>GS</sub> = 5V	–	–	1	μA
★ Drain to Source Leakage Current	I <sub>DSS (Q2)</sub>	V <sub>DSS</sub> = 65 V	–	–	1	mA
★ Gate Threshold Voltage	V <sub>th (Q2)</sub>	V <sub>DS</sub> = 10 V, I <sub>DS</sub> = 1 mA	2.0	2.6	3.2	V
★ Transconductance	g <sub>m (Q2)</sub>	V <sub>DS</sub> = 28 V, I <sub>DS</sub> = 100 mA	–	0.45	–	S
★ Drain to Source Breakdown Voltage	BV <sub>DSS (Q2)</sub>	I <sub>DSS</sub> = 10 μA	65	75	–	V

★ RF CHARACTERISTICS (T<sub>A</sub> = +25°C)

Parameter	Symbol	Test Conditions	MIN.	TYP.	MAX.	Unit
<b>Q1</b>						
Gain 1 dB Compression Output Power	P <sub>O(1 dB)</sub>	f = 2 140 MHz, V <sub>DS</sub> = 28 V,	–	35.4	–	dBm
Drain Efficiency	$\eta_d$	I <sub>Dset</sub> = 20 mA	–	52	–	%
Linear Gain	G <sub>L</sub>	P <sub>in</sub> = 15 dBm	12	13.5	–	dB
<b>Q2</b>						
Gain 1 dB Compression Output Power	P <sub>O(1 dB)</sub>	f = 2 140 MHz, V <sub>DS</sub> = 28 V,	–	40.4	–	dBm
Drain Efficiency	$\eta_d$	I <sub>Dset</sub> = 100 mA	–	46	–	%
Linear Gain	G <sub>L</sub>	P <sub>in</sub> = 20 dBm	9.5	11	–	dB
Gain 1 dB Compression Output Power	P <sub>O(1 dB)</sub>	f = 1 840 MHz, V <sub>DS</sub> = 28 V,	–	40.5	–	dBm
Drain Efficiency	$\eta_d$	I <sub>Dset</sub> = 100 mA	–	49	–	%
Linear Gain	G <sub>L</sub>	P <sub>in</sub> = 20 dBm	–	14	–	dB
<b>Q1 + Q2</b>						
Gain 1 dB Compression Output Power	P <sub>O(1 dB)</sub>	f = 880 MHz, V <sub>DS</sub> = 28 V,	–	41.5	–	dBm
Drain Efficiency	$\eta_d$	I <sub>Dset</sub> = 120 mA (Q1 + Q2)	–	55	–	%
Linear Gain	G <sub>L</sub>	P <sub>in</sub> = 5 dBm	–	30	–	dB
Gain 1 dB Compression Output Power	P <sub>O(1 dB)</sub>	f = 2 140 MHz, V <sub>DS</sub> = 28 V,	–	40.0	–	dBm
Drain Efficiency	$\eta_d$	I <sub>Dset</sub> = 120 mA (Q1 + Q2)	34	42	–	%
Output Power	P <sub>out</sub>	P <sub>in</sub> = 16 dBm	39	40	–	dB
Linear Gain	G <sub>L</sub>	P <sub>in</sub> = 10 dBm	24	25	–	dB
3rd Order Intermodulation Distortion	IM <sub>3</sub>	f = 2 132.5/2 147.5 MHz, V <sub>DS</sub> = 28 V,	–	–40	–	dBc
Drain Efficiency	$\eta_d$	2 carrier W-CDMA 3GPP, Test Model1, 64DPCH, 67% Clipping, I <sub>Dset</sub> = 120 mA (Q1 + Q2), Ave P <sub>out</sub> = 33 dBm	–	21	–	%

★ TYPICAL CHARACTERISTICS (TA = +25°C, VDS = 28 V, Idset = 120 mA, unless otherwise specified)



W-CDMA 3GPP, Test Model 1,  
64 DPCH, 67% Clipping,  
Center Frequency 2.14GHz,  
15 MHz spacing

Remark The graphs indicate nominal characteristics.

**S-PARAMETERS**

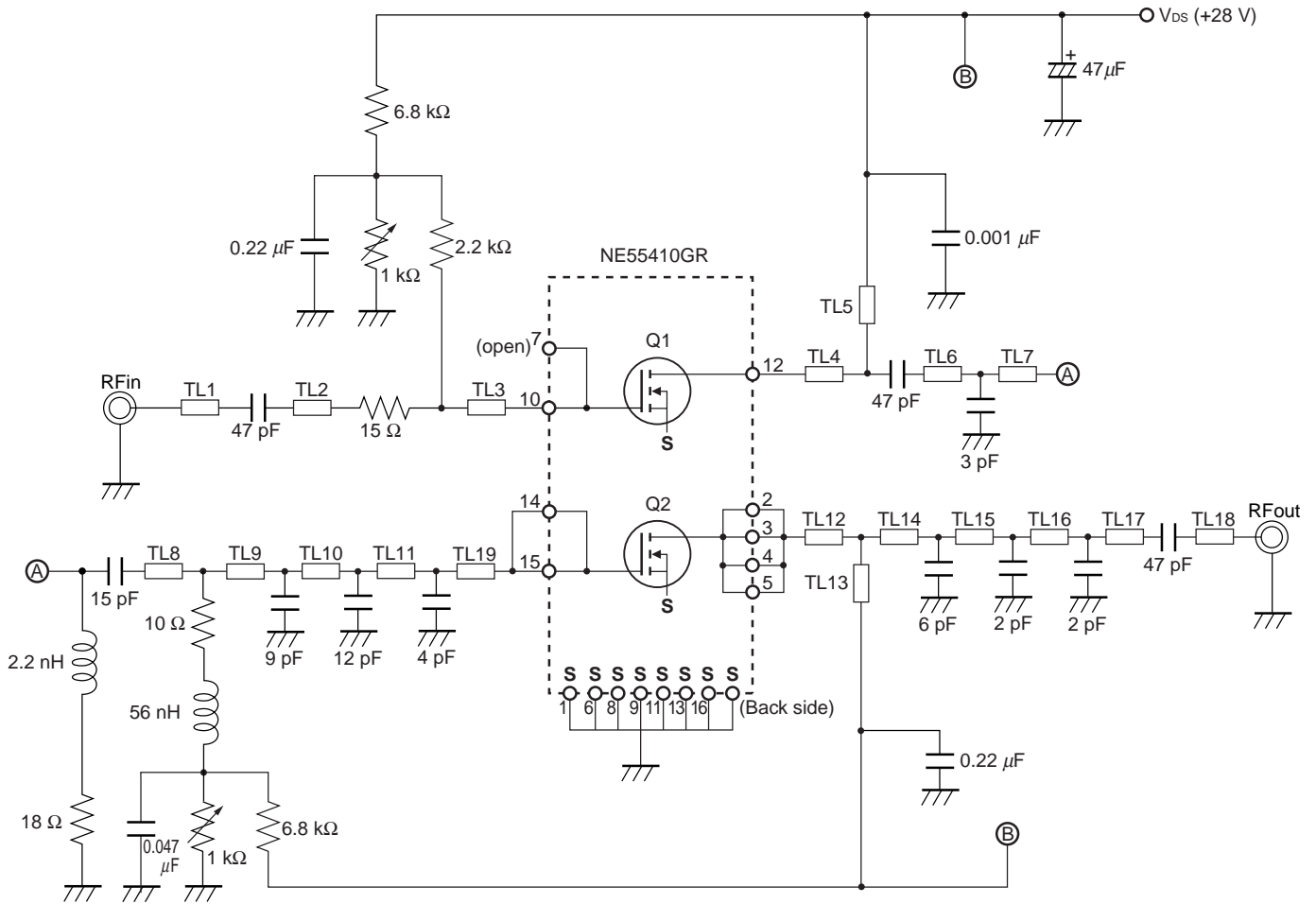
S-parameters/Noise parameters are provided on the NEC Compound Semiconductor Devices Web site in a form (S2P) that enables direct import to a microwave circuit simulator without keyboard input.

Click here to download S-parameters.

[RF and Microwave] → [Device Parameters]

URL <http://www.ncsd.necel.com/>

★ EVALUATION CIRCUIT (f = 840 to 960 MHz, V<sub>DS</sub> = 28 V, I<sub>Dset</sub> = 120 mA)

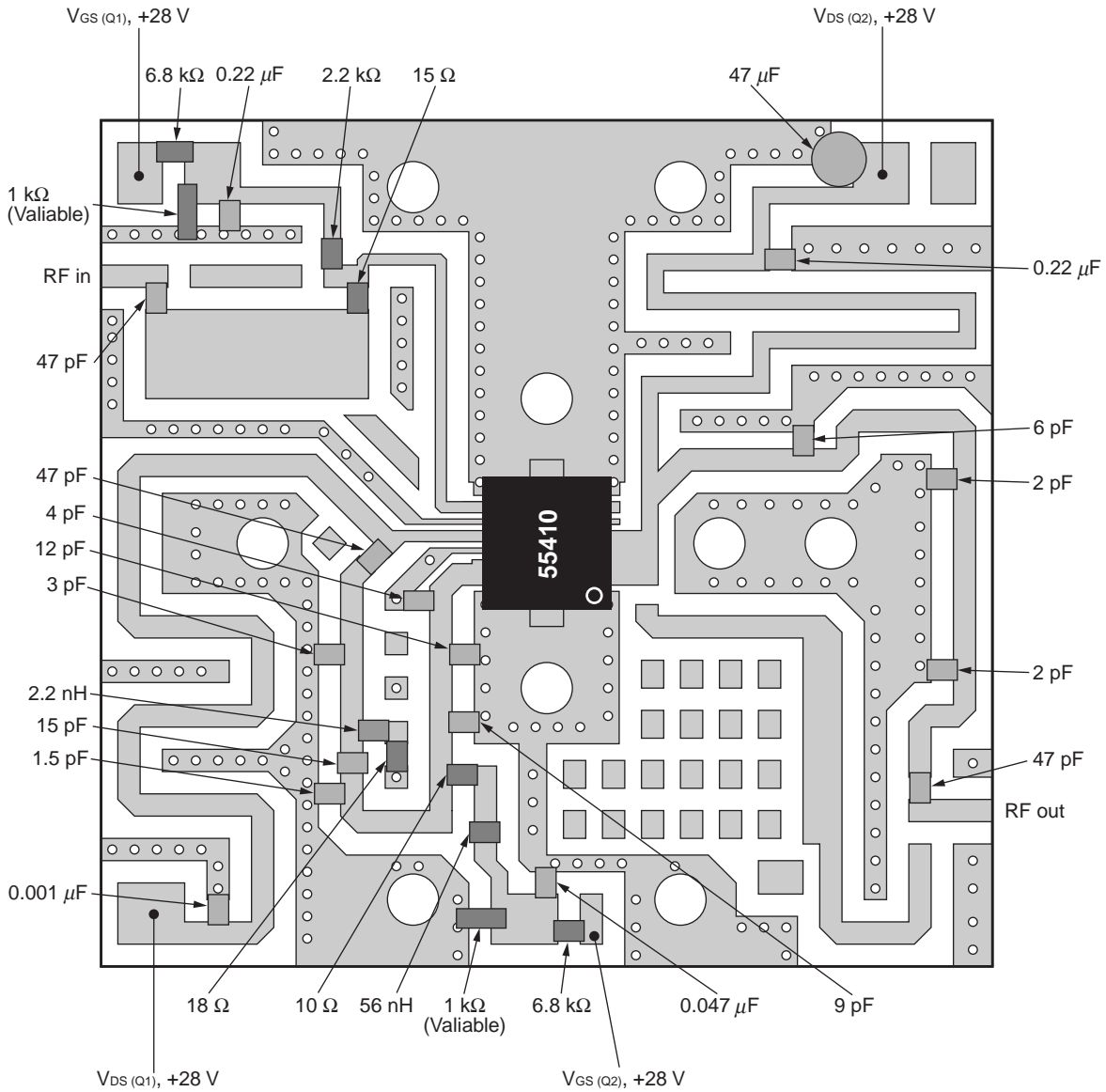


Symbol	Width (mm)	Length (mm)
TL1	1.0	3.0
TL2	4.5	10.0
TL3	0.5	16.0
TL4	0.5	5.0
TL5	1.0	48.0
TL6	1.0	4.0
TL7	1.0	3.0
TL8	1.0	6.0
TL9	1.0	3.0
TL10	1.0	4.0

Symbol	Width (mm)	Length (mm)
TL11	1.0	3.0
TL12	1.0	5.0
TL13	0.8	48.0
TL14	1.0	6.5
TL15	1.0	10.5
TL16	1.0	9.5
TL17	1.0	10.0
TL18	1.0	6.0
TL19	1.0	3.0

The application circuits and their parameters are for reference only and are not intended for use in actual design-ins.

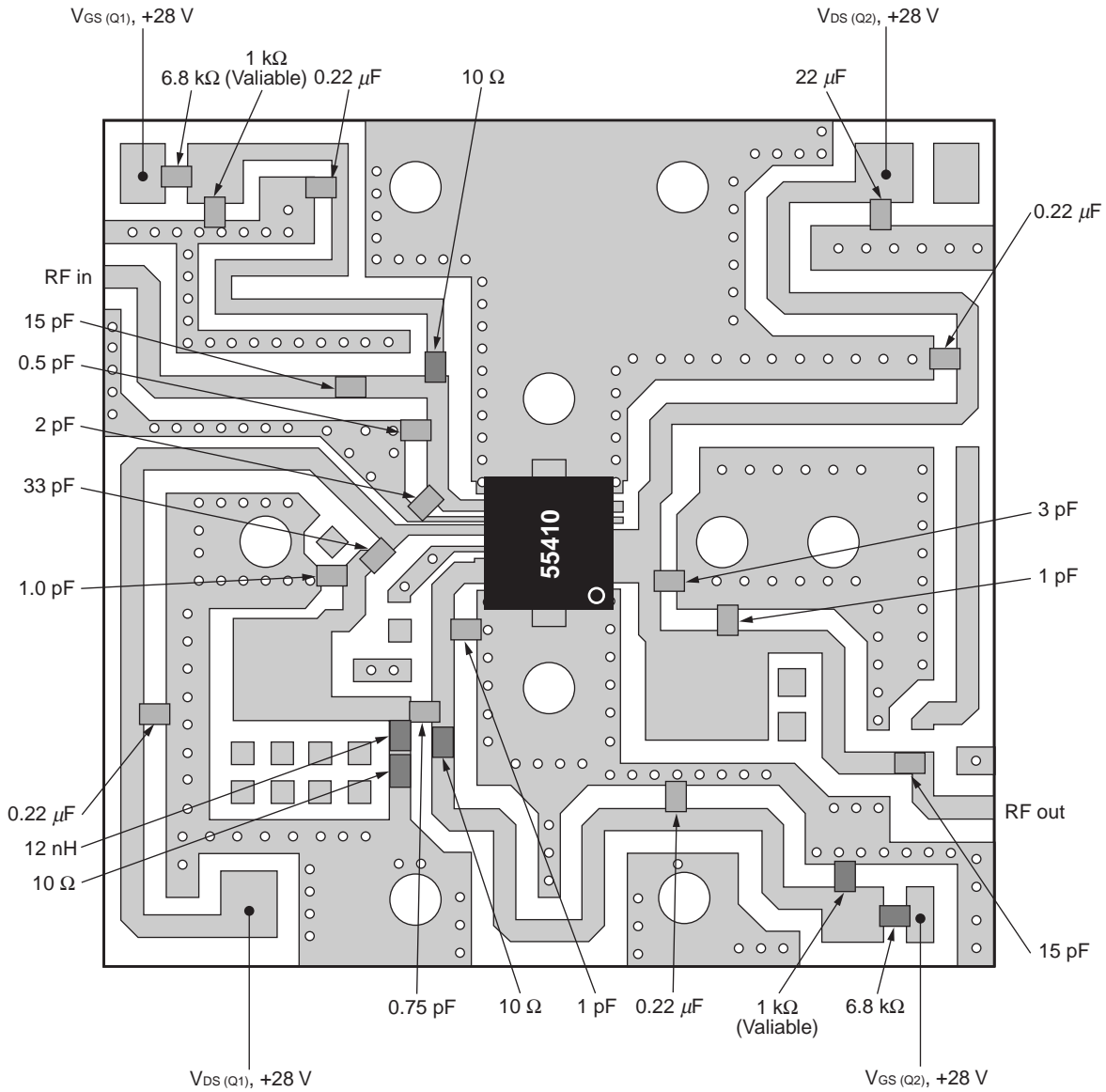
★ EVALUATION CIRCUIT (f = 840 to 960 MHz, V<sub>DS</sub> = 28 V, I<sub>Dset</sub> = 120 mA)







★ EVALUATION CIRCUIT ( $f = 2\ 090$  to  $2\ 190$  MHz,  $V_{DS} = 28$  V,  $I_{Dset} = 120$  mA)





**RECOMMENDED SOLDERING CONDITIONS**

This product should be soldered and mounted under the following recommended conditions. For soldering methods and conditions other than those recommended below, contact your nearby sales office.

Soldering Method	Soldering Conditions	Condition Symbol
Infrared Reflow	Peak temperature (package surface temperature) : 260°C or below Time at peak temperature : 10 seconds or less Time at temperature of 220°C or higher : 60 seconds or less Preheating time at 120 to 180°C : 120±30 seconds Maximum number of reflow processes : 3 times Maximum chlorine content of rosin flux (% mass) : 0.2%(Wt.) or below	IR260
Wave Soldering	Peak temperature (molten solder temperature) : 260°C or below Time at peak temperature : 10 seconds or less Preheating temperature (package surface temperature) : 120°C or below Maximum number of flow processes : 1 time Maximum chlorine content of rosin flux (% mass) : 0.2%(Wt.) or below	WS260
Partial Heating	Peak temperature (terminal temperature) : 350°C or below Soldering time (per side of device) : 3 seconds or less Maximum chlorine content of rosin flux (% mass) : 0.2%(Wt.) or below	HS350

**Caution Do not use different soldering methods together (except for partial heating).**

Subject: Compliance with EU Directives

CEL certifies, to its knowledge, that semiconductor and laser products detailed below are compliant with the requirements of European Union (EU) Directive 2002/95/EC Restriction on Use of Hazardous Substances in electrical and electronic equipment (RoHS) and the requirements of EU Directive 2003/11/EC Restriction on Penta and Octa BDE.

CEL Pb-free products have the same base part number with a suffix added. The suffix –A indicates that the device is Pb-free. The –AZ suffix is used to designate devices containing Pb which are exempted from the requirement of RoHS directive (\*). In all cases the devices have Pb-free terminals. All devices with these suffixes meet the requirements of the RoHS directive.

This status is based on CEL’s understanding of the EU Directives and knowledge of the materials that go into its products as of the date of disclosure of this information.

Restricted Substance per RoHS	Concentration Limit per RoHS (values are not yet fixed)	Concentration contained in CEL devices	
		-A	-AZ
Lead (Pb)	< 1000 PPM	Not Detected	(*)
Mercury	< 1000 PPM	Not Detected	
Cadmium	< 100 PPM	Not Detected	
Hexavalent Chromium	< 1000 PPM	Not Detected	
PBB	< 1000 PPM	Not Detected	
PBDE	< 1000 PPM	Not Detected	

If you should have any additional questions regarding our devices and compliance to environmental standards, please do not hesitate to contact your local representative.

**Important Information and Disclaimer:** Information provided by CEL on its website or in other communications concerning the substance content of its products represents knowledge and belief as of the date that it is provided. CEL bases its knowledge and belief on information provided by third parties and makes no representation or warranty as to the accuracy of such information. Efforts are underway to better integrate information from third parties. CEL has taken and continues to take reasonable steps to provide representative and accurate information but may not have conducted destructive testing or chemical analysis on incoming materials and chemicals. CEL and CEL suppliers consider certain information to be proprietary, and thus CAS numbers and other limited information may not be available for release.

In no event shall CEL’s liability arising out of such information exceed the total purchase price of the CEL part(s) at issue sold by CEL to customer on an annual basis.

See CEL Terms and Conditions for additional clarification of warranties and liability.