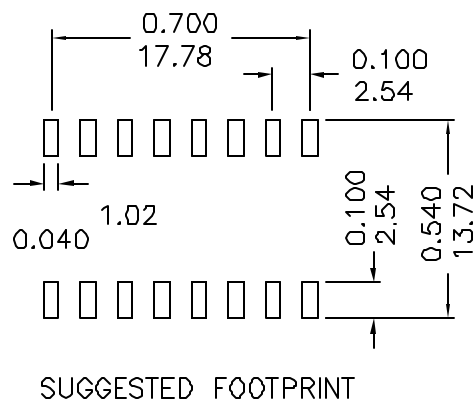
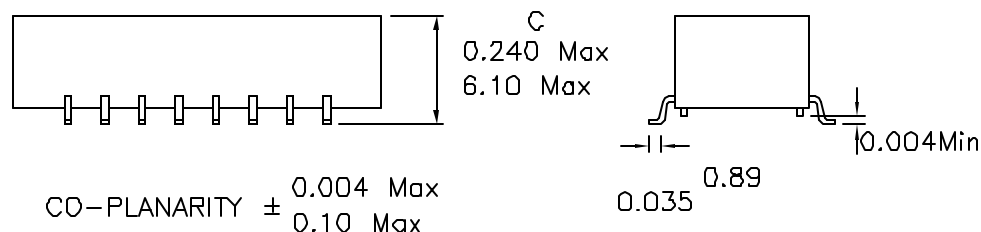
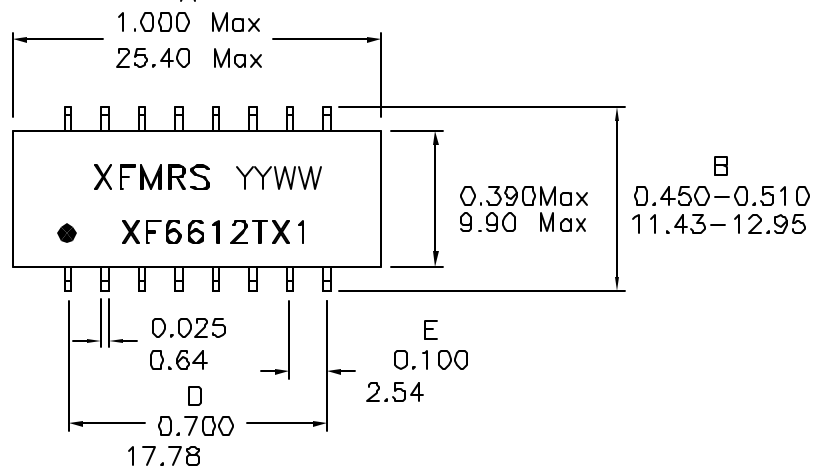


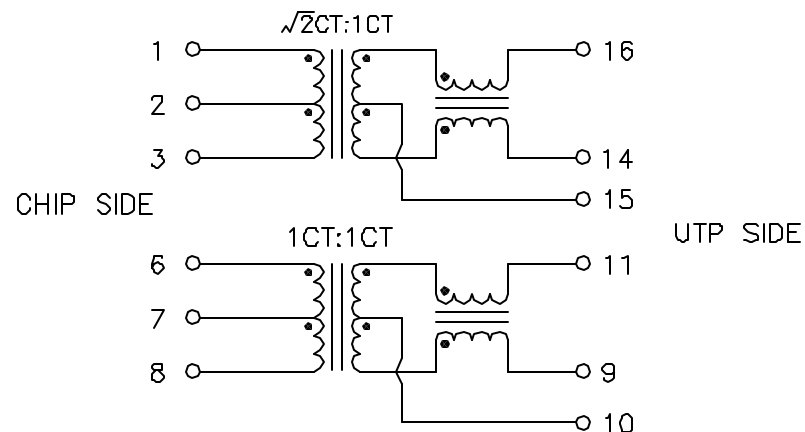
### 1. Dimensions:



#### Notes:

1. Solderability: Leads shall meet MIL-STD-202G, Method 208H for solderability.
2. Flammability: UL94V-0
3. ASTM oxygen Index: > 28%
4. Insulation System: Class F 155°C. UL file E161556
5. Operating Temperature Range: All listed parameters are to be within tolerance from 0°C to +70°C
6. Storage Temperature Range: -55°C to +125°C
7. Aqueous wash compatible
8. SMD Lead Coplanarity: ±0.004"(0.102mm)
9. Electrical and mechanical specifications 100% tested
10. RoHS Compliant Component

### 2. Schematic:



### 3. Electrical Specifications: @25°C

Turns Ratio: TX 1.41CT:1CT (±2%) RX 1CT:1CT (±2%)  
 Isolation Voltage: 1500 Vrms (Input to Output)  
 UTP Side OCL: 350uH Minimum @100KHz, 100mV 8mADC  
 Insertion Loss (0.3-100MHz): 1.0dB Maximum  
 Return Loss (dB Typ):

30MHz	60MHz	80MHz
16	12	10

Crosstalk (dB Min):

32MHz	62MHz	100MHz
40	35	35

DOC. REV: A/4

**PROPRIETARY**

Document is the property of XFMRS Group & is not allowed to be duplicated without authorization.

<b>XFMRS Inc.</b> www.XFMRS.com		Title: 10/100BASE-TX MAGNETICS	
UNLESS OTHERWISE SPECIFIED TOLERANCES: .xxx ±0.010 Inch Dimensions in Inch/mm	P/N: XF6612TX1		REV. A
	DWN.	Xiany	Jul-15-08
	CHK.	YK Liao	Jul-15-08
SCALE 2:1 SHT 1 OF 1	APP.	BW	Jul-15-08