

# SPANSION™ MCP

## Data Sheet



September 2003

This document specifies SPANSION™ memory products that are now offered by both Advanced Micro Devices and Fujitsu. Although the document is marked with the name of the company that originally developed the specification, these products will be offered to customers of both AMD and Fujitsu.

### **Continuity of Specifications**

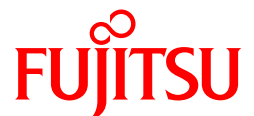
There is no change to this datasheet as a result of offering the device as a SPANSION™ product. Future routine revisions will occur when appropriate, and changes will be noted in a revision summary.

### **Continuity of Ordering Part Numbers**

AMD and Fujitsu continue to support existing part numbers beginning with "Am" and "MBM". To order these products, please use only the Ordering Part Numbers listed in this document.

### **For More Information**

Please contact your local AMD or Fujitsu sales office for additional information about SPANSION™ memory solutions.



*Stacked MCP (Multi-Chip Package) FLASH MEMORY & FCRAM*  
CMOS

# 32M (×16) FLASH MEMORY & 16M (×16) SRAM Interface FCRAM

**MB84VD22386EJ/VD22387EJ/VD22388EJ-85/90**  
**MB84VD22396EJ/VD22397EJ/VD22398EJ-85/90**

## ■ FEATURES

- Power Supply Voltage of 2.7 V to 3.1 V for FCRAM
- Power Supply Voltage of 2.7 V to 3.3 V for Flash
- High Performance
  - 85 ns maximum access time (Flash)
  - 85 ns maximum access time (FCRAM)
- Operating Temperature
  - 30 °C to +85 °C
- Package 71-ball BGA

(Continued)

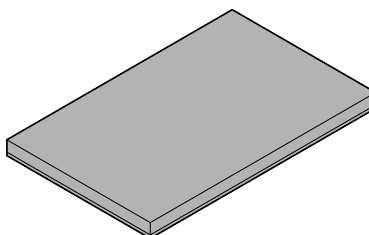
## ■ PRODUCT LINE-UP

	Flash Memory	FCRAM
Power Supply Voltage (V)	$V_{ccf}^* = 2.7$ to 3.3	$V_{ccs}^* = 2.7$ to 3.1
Max Address Access Time (ns)	85	85
Max $\overline{CE}$ Access Time (ns)	85	85
Max $\overline{OE}$ Access Time (ns)	35	50

\*: Both  $V_{ccf}$  and  $V_{ccs}$  must be the same level when either part is being accessed.

## ■ PACKAGE

71-ball plastic BGA



(BGA-71P-M02)

Note : These guarantee both FCRAM and Flash at 85 ns Access Cycle.

(Continued)

## 1. FLASH MEMORY

- **Simultaneous Read/Write Operations (Dual Bank)**

Multiple devices available with different bank sizes

Host system can program or erase in one bank, then immediately and simultaneously read from the other bank

Zero latency between read and write operations

Read-while-erase

Read-while-program

- **Minimum 100,000 Write/Erase Cycles**

- **Sector Erase Architecture**

Eight 4 K words and sixty three 32 K words.

Any combination of sectors can be concurrently erased. The devices also support full chip erase.

- **Boot Code Sector Architecture**

MB84VD22386EJ/VD22387EJ/VD22388EJ: Top sector

MB84VD22396EJ/VD22397EJ/VD22398EJ: Bottom sector

- **Embedded Erase™ Algorithms**

Automatically pre-programs and erases the chip or any sector

- **Embedded Program™ Algorithms**

Automatically writes and verifies data at specified address

- **Data Polling and Toggle Bit Feature for Detection of Program or Erase Cycle Completion**

- **Ready-Busy Output (RY/BY)**

Hardware method for detection of program or erase cycle completion

- **Automatic Sleep Mode**

When addresses remain stable, automatically switch themselves to low power mode.

- **Hidden ROM (Hi-ROM) Region**

64 Kbyte of Hi-ROM, accessible through a new “Hi-ROM Enable” command sequence

Factory serialized and protected to provide a secure electronic serial number (ESN)

- **WP/ACC Input Pin**

Allows protection of boot sectors at  $V_{IL}$ , regardless of sector protection/unprotection status

(MB84VD22386EJ/VD22387EJ/VD22388EJ: SA69,SA70

MB84VD22396EJ/VD22397EJ/VD22398EJ: SA0,SA1)

Allows removal of boot sector protection at  $V_{IH}$ .

At VACC, program time will reduce by 40%.

- **Erase Suspend/Resume**

Suspends the erase operation to allow a read in another sector within the same device

- **Please Refer to “MBM29DL32XTE/BE” Data Sheet in Detailed Function**

## 2. FCRAM

- **Power Dissipation**

Operating: 20 mA Max

Standby: 70  $\mu$ A Max

Power Down: 10  $\mu$ A Max

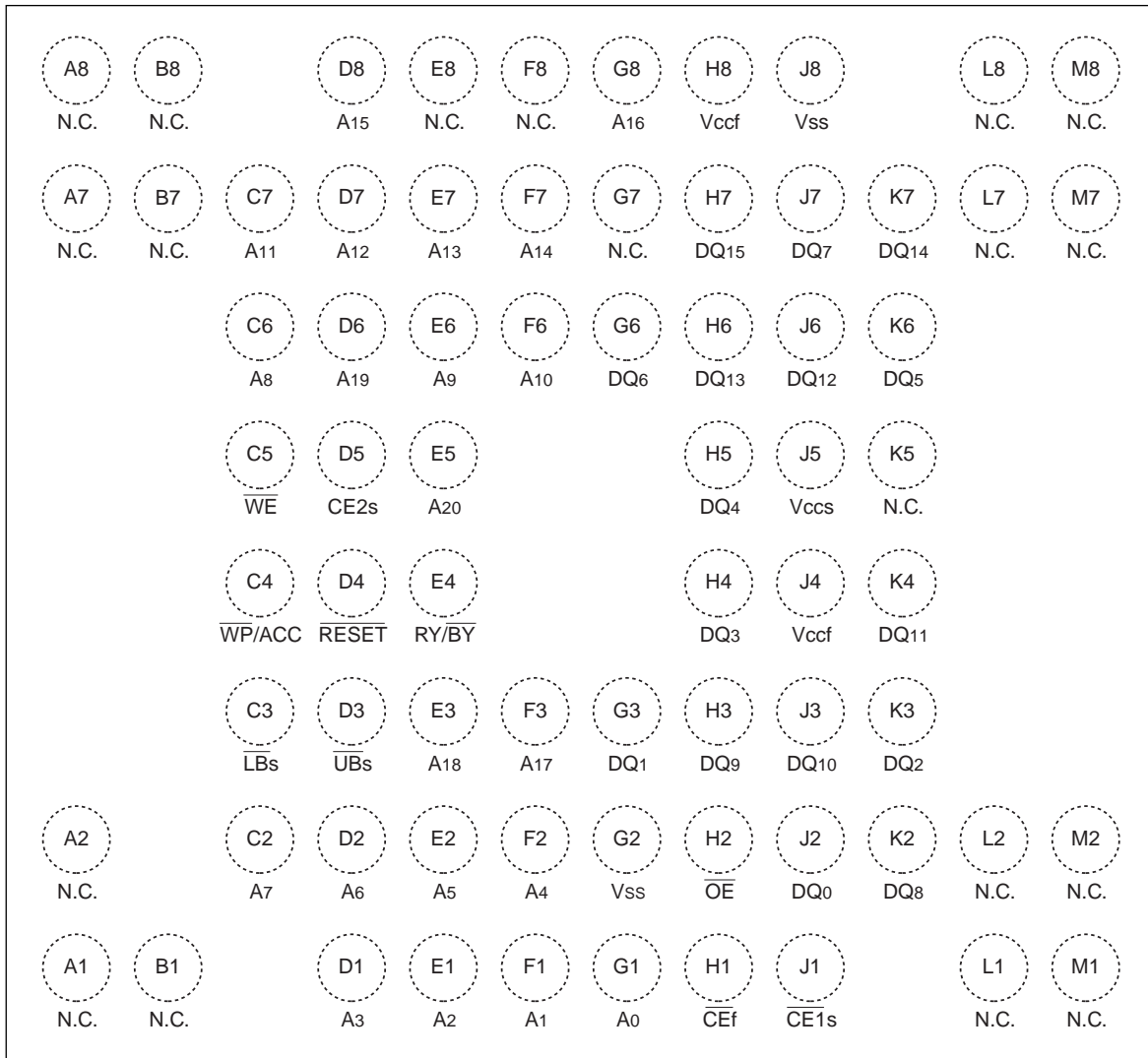
- **Power Down Control by CE2s**

- **Byte Write Control:  $\overline{LB}$ s (DQ<sub>7</sub>-DQ<sub>0</sub>),  $\overline{UB}$ s (DQ<sub>15</sub>-DQ<sub>5</sub>)**

- **4 Words Address Access Capability**

■ PIN ASSIGNMENT

(Top View)  
Marking side

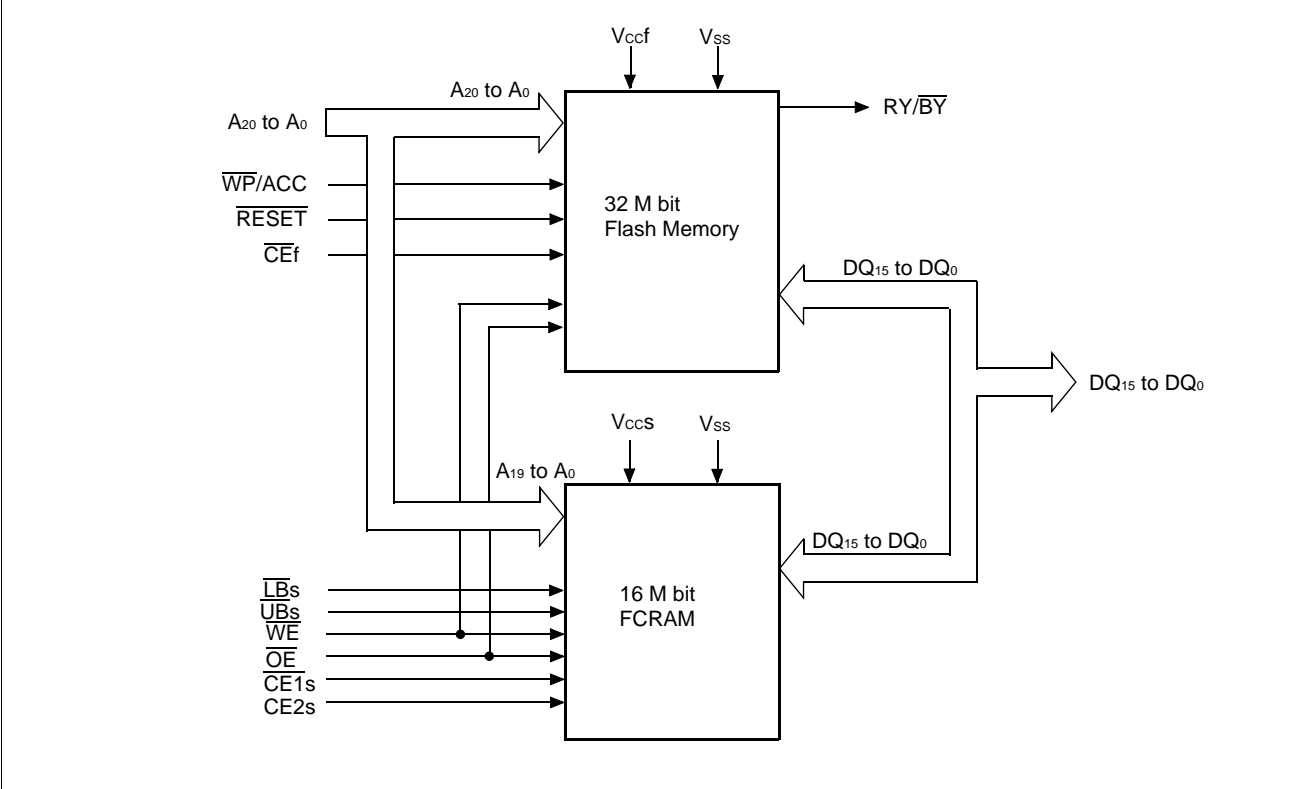


(BGA-71P-M02)

■ PIN DESCRIPTIONS

Pin Name	Input/Output	Function
A <sub>19</sub> to A <sub>0</sub>	I	Address Inputs (Common)
A <sub>20</sub>	I	Address Input (Flash)
DQ <sub>15</sub> to DQ <sub>0</sub>	I/O	Data Inputs/Outputs (Common)
$\overline{CE}f$	I	Chip Enable (Flash)
$\overline{CE}1s$	I	Chip Enable (FCRAM)
CE2s	I	Chip Enable (FCRAM)
$\overline{OE}$	I	Output Enable (Common)
$\overline{WE}$	I	Write Enable (Common)
RY/ $\overline{BY}$	O	Ready/Busy Outputs (Flash) Open Drain Output
$\overline{UB}s$	I	Upper Byte Control (FCRAM)
$\overline{LB}s$	I	Lower Byte Control (FCRAM)
$\overline{RESET}$	I	Hardware Reset Pin/Sector Protection Unlock (Flash)
$\overline{WP}/ACC$	I	Write Protect / Acceleration (Flash)
N.C.	—	No Internal Connection
V <sub>ss</sub>	Power	Device Ground (Common)
V <sub>ccf</sub>	Power	Device Power Supply (Flash)
V <sub>ccs</sub>	Power	Device Power Supply (FCRAM)

■ BLOCK DIAGRAM



■ DEVICE BUS OPERATION

Operation *1, *2	$\overline{CEf}$	$\overline{CE1s}$	CE2s	$\overline{OE}$	$\overline{WE}$	$\overline{LBs}$	$\overline{UBs}$	DQ <sub>7</sub> to DQ <sub>0</sub>	DQ <sub>15</sub> to DQ <sub>8</sub>	$\overline{RESET}$	$\overline{WP/ACC}$ *7
Full Standby	H	H	H	X	X	X	X	High-Z	High-Z	H	X
Output Disable *3	H	L	H	H	H	X	X	High-Z	High-Z	H	X
	L	H	H	H	H	X	X	High-Z	High-Z		
Read from Flash *4	L	H	H	L	H	X	X	D <sub>OUT</sub>	D <sub>OUT</sub>	H	X
Write to Flash	L	H	H	H	L	X	X	D <sub>IN</sub>	D <sub>IN</sub>	H	X
Read from FCRAM *5	H	L	H	L	H	X	X	D <sub>OUT</sub>	D <sub>OUT</sub>	H	X
Write to FCRAM	H	L	H	H	L	L	L	D <sub>IN</sub>	D <sub>IN</sub>	H	X
						H	L	High-Z	D <sub>IN</sub>		
						L	H	D <sub>IN</sub>	High-Z		
Temporary Sector Group Unprotection *6	X	X	X	X	X	X	X	X	X	V <sub>ID</sub>	X
Flash Hardware Reset	X	H	H	X	X	X	X	High-Z	High-Z	L	X
Boot Block Sector Write Protection	X	X	X	X	X	X	X	X	X	X	L
FCRAM Power Down *8	X	X	L	X	X	X	X	X	X	X	X

Legend: L = V<sub>IL</sub>, H = V<sub>IH</sub>, X = V<sub>IL</sub> or V<sub>IH</sub>. See “■ DC CHARACTERISTICS” for voltage levels.

\*1: Other operations except for indicated this column are prohibited.

\*2: Do not apply  $\overline{CEf} = V_{IL}$ ,  $\overline{CE1s} = V_{IL}$  and CE2s = V<sub>IH</sub> all at once.

\*3: FCRAM Output Disable condition should not be kept longer than 1 μs.

\*4:  $\overline{WE}$  can be V<sub>IL</sub> if  $\overline{OE}$  is V<sub>IL</sub>,  $\overline{OE}$  at V<sub>IH</sub> initiates the write operations.

\*5: FCRAM Byte control at Read operation is not supported.

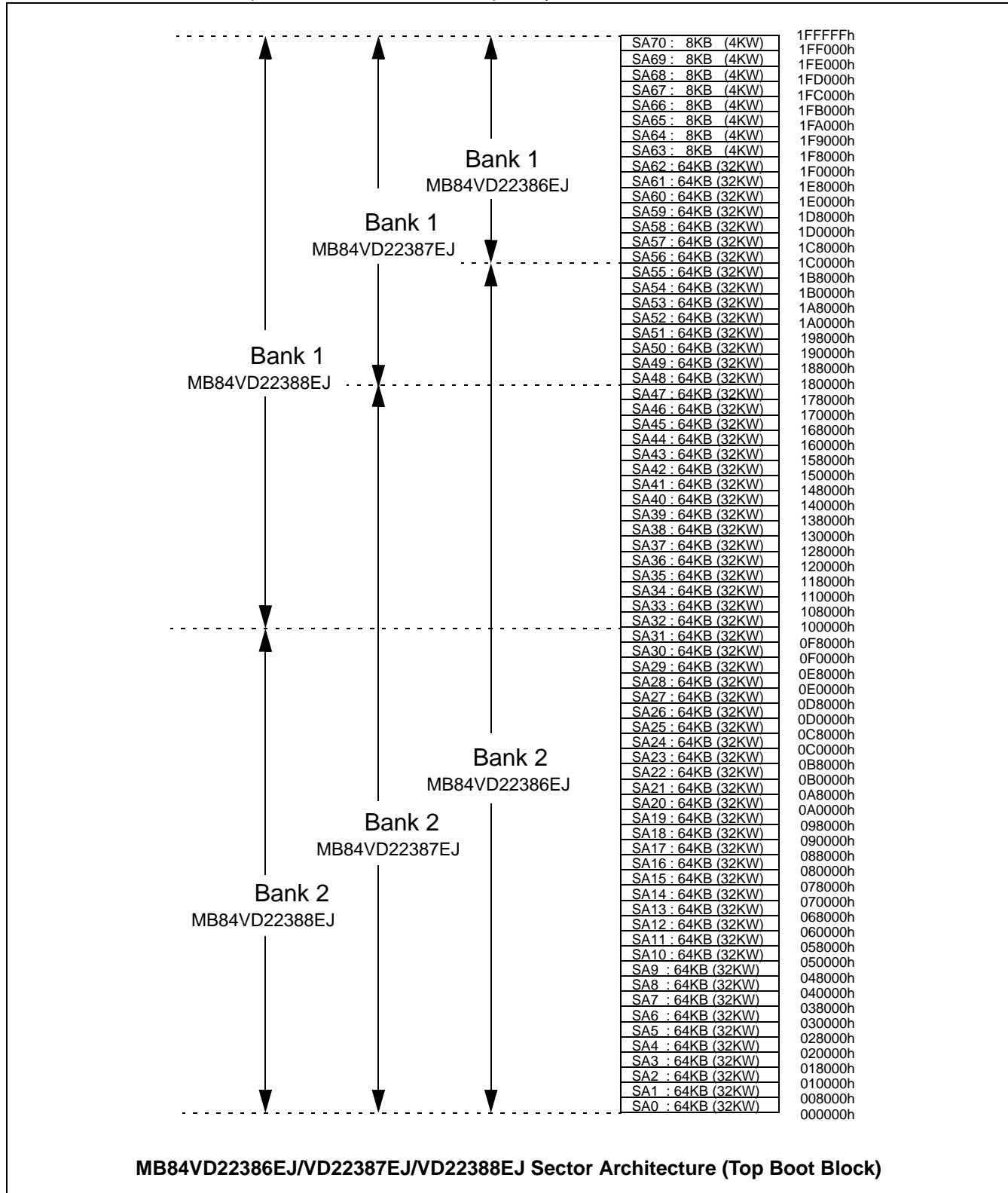
\*6: Also used for the extended sector group protections.

\*7: Protect “outermost” 2 × 8 Kbytes (4 words) on both ends of the boot block sectors.

\*8: Power Down mode can be entered from Standby state and all DQ pins are in High-Z state.

## ■ FLEXIBLE SECTOR-ERASE ARCHITECTURE on FLASH MEMORY

- Eight 4 K words, and sixty three 32 K words.
- Individual-sector, multiple-sector, or bulk-erase capability.

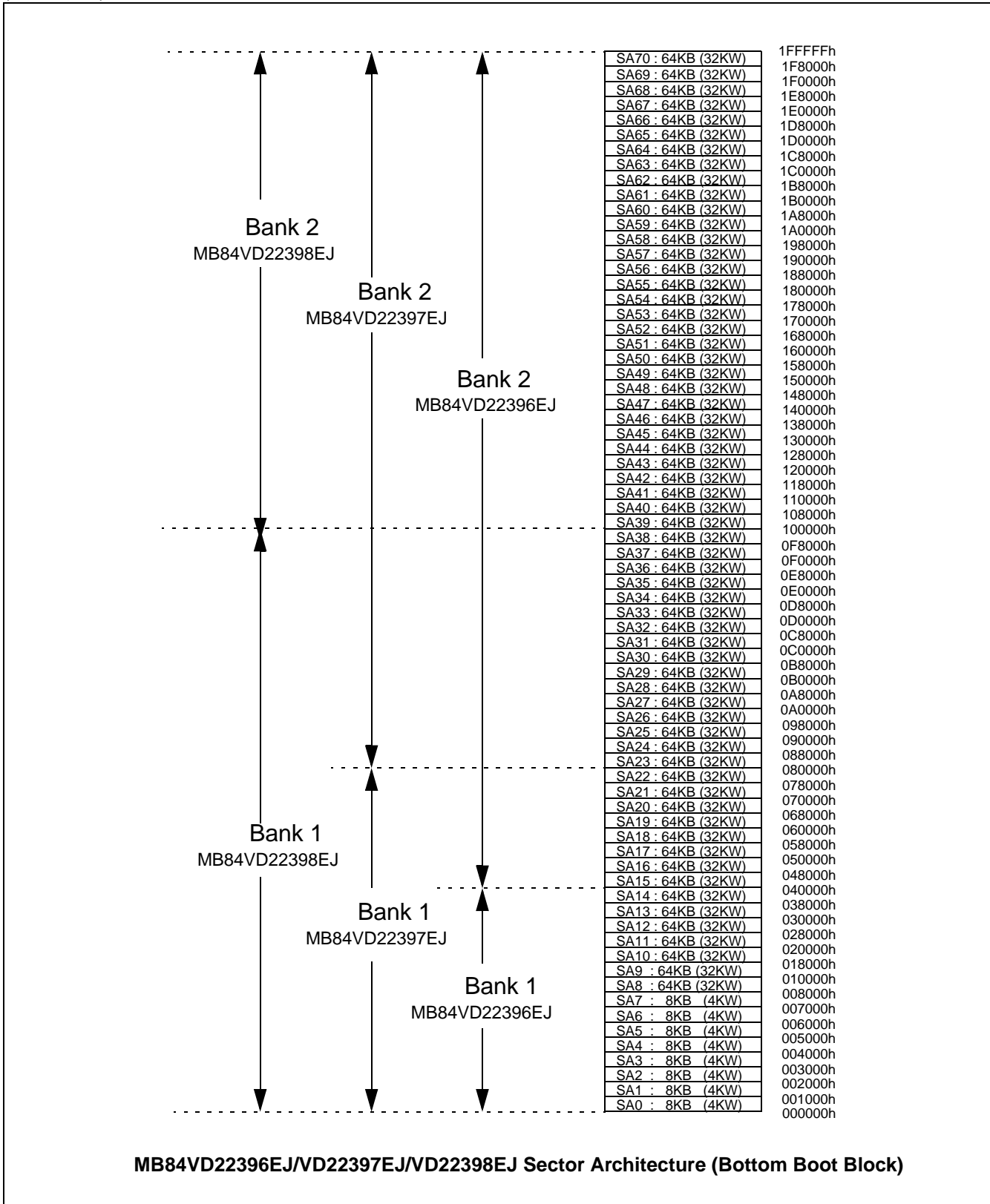


(Continued)



# MB84VD22386/387/388EJ-85/90/MB84VD22396/397/398EJ-85/90

(Continued)



# MB84VD22386/387/388EJ-85/90/MB84VD22396/397/398EJ-85/90

**Sector Address Tables (MB84VD22386EJ)**

Bank	Sector	Sector Address										Address Range
		Bank Address			A17	A16	A15	A14	A13	A12	A11	
		A20	A19	A18								
Bank 2	SA0	0	0	0	0	0	0	X	X	X	X	000000h to 007FFFh
	SA1	0	0	0	0	0	1	X	X	X	X	008000h to 00FFFFh
	SA2	0	0	0	0	1	0	X	X	X	X	010000h to 017FFFh
	SA3	0	0	0	0	1	1	X	X	X	X	018000h to 01FFFFh
	SA4	0	0	0	1	0	0	X	X	X	X	020000h to 027FFFh
	SA5	0	0	0	1	0	1	X	X	X	X	028000h to 02FFFFh
	SA6	0	0	0	1	1	0	X	X	X	X	030000h to 037FFFh
	SA7	0	0	0	1	1	1	X	X	X	X	038000h to 03FFFFh
	SA8	0	0	1	0	0	0	X	X	X	X	040000h to 047FFFh
	SA9	0	0	1	0	0	1	X	X	X	X	048000h to 04FFFFh
	SA10	0	0	1	0	1	0	X	X	X	X	050000h to 057FFFh
	SA11	0	0	1	0	1	1	X	X	X	X	058000h to 05FFFFh
	SA12	0	0	1	1	0	0	X	X	X	X	060000h to 067FFFh
	SA13	0	0	1	1	0	1	X	X	X	X	068000h to 06FFFFh
	SA14	0	0	1	1	1	0	X	X	X	X	070000h to 077FFFh
	SA15	0	0	1	1	1	1	X	X	X	X	078000h to 07FFFFh
	SA16	0	1	0	0	0	0	X	X	X	X	080000h to 087FFFh
	SA17	0	1	0	0	0	1	X	X	X	X	088000h to 08FFFFh
	SA18	0	1	0	0	1	0	X	X	X	X	090000h to 097FFFh
	SA19	0	1	0	0	1	1	X	X	X	X	098000h to 09FFFFh
	SA20	0	1	0	1	0	0	X	X	X	X	0A0000h to 0A7FFFh
	SA21	0	1	0	1	0	1	X	X	X	X	0A8000h to 0AFFFFh
	SA22	0	1	0	1	1	0	X	X	X	X	0B0000h to 0B7FFFh
	SA23	0	1	0	1	1	1	X	X	X	X	0B8000h to 0BFFFFh
	SA24	0	1	1	0	0	0	X	X	X	X	0C0000h to 0C7FFFh
	SA25	0	1	1	0	0	1	X	X	X	X	0C8000h to 0CFFFFh
	SA26	0	1	1	0	1	0	X	X	X	X	0D0000h to 0D7FFFh
	SA27	0	1	1	0	1	1	X	X	X	X	0D8000h to 0DFFFFh
	SA28	0	1	1	1	0	0	X	X	X	X	0E0000h to 0E7FFFh
	SA29	0	1	1	1	0	1	X	X	X	X	0E8000h to 0EFFFFh
	SA30	0	1	1	1	1	0	X	X	X	X	0F0000h to 0F7FFFh
	SA31	0	1	1	1	1	1	X	X	X	X	0F8000h to 0FFFFh
	SA32	1	0	0	0	0	0	X	X	X	X	100000h to 107FFFh
	SA33	1	0	0	0	0	1	X	X	X	X	108000h to 10FFFFh
SA34	1	0	0	0	1	0	X	X	X	X	110000h to 117FFFh	

(Continued)

# MB84VD22386/387/388EJ-85/90/MB84VD22396/397/398EJ-85/90

(Continued)

Bank	Sector	Sector Address										Address Range
		Bank Address			A <sub>17</sub>	A <sub>16</sub>	A <sub>15</sub>	A <sub>14</sub>	A <sub>13</sub>	A <sub>12</sub>	A <sub>11</sub>	
		A <sub>20</sub>	A <sub>19</sub>	A <sub>18</sub>								
Bank 2	SA35	1	0	0	0	1	1	X	X	X	X	118000h to 11FFFFh
	SA36	1	0	0	1	0	0	X	X	X	X	120000h to 127FFFh
	SA37	1	0	0	1	0	1	X	X	X	X	128000h to 12FFFFh
	SA38	1	0	0	1	1	0	X	X	X	X	130000h to 137FFFh
	SA39	1	0	0	1	1	1	X	X	X	X	138000h to 13FFFFh
	SA40	1	0	1	0	0	0	X	X	X	X	140000h to 147FFFh
	SA41	1	0	1	0	0	1	X	X	X	X	148000h to 14FFFFh
	SA42	1	0	1	0	1	0	X	X	X	X	150000h to 157FFFh
	SA43	1	0	1	0	1	1	X	X	X	X	158000h to 15FFFFh
	SA44	1	0	1	1	0	0	X	X	X	X	160000h to 167FFFh
	SA45	1	0	1	1	0	1	X	X	X	X	168000h to 16FFFFh
	SA46	1	0	1	1	1	0	X	X	X	X	170000h to 177FFFh
	SA47	1	0	1	1	1	1	X	X	X	X	178000h to 17FFFFh
	SA48	1	1	0	0	0	0	X	X	X	X	180000h to 187FFFh
	SA49	1	1	0	0	0	1	X	X	X	X	188000h to 18FFFFh
	SA50	1	1	0	0	1	0	X	X	X	X	190000h to 197FFFh
	SA51	1	1	0	0	1	1	X	X	X	X	198000h to 19FFFFh
	SA52	1	1	0	1	0	0	X	X	X	X	1A0000h to 1A7FFFh
SA53	1	1	0	1	0	1	X	X	X	X	1A8000h to 1AFFFFh	
SA54	1	1	0	1	1	0	X	X	X	X	1B0000h to 1B7FFFh	
SA55	1	1	0	1	1	1	X	X	X	X	1B8000h to 1BFFFFh	
Bank 1	SA56	1	1	1	0	0	0	X	X	X	X	1C0000h to 1C7FFFh
	SA57	1	1	1	0	0	1	X	X	X	X	1C8000h to 1CFFFFh
	SA58	1	1	1	0	1	0	X	X	X	X	1D0000h to 1D7FFFh
	SA59	1	1	1	0	1	1	X	X	X	X	1D8000h to 1DFFFFh
	SA60	1	1	1	1	0	0	X	X	X	X	1E0000h to 1E7FFFh
	SA61	1	1	1	1	0	1	X	X	X	X	1E8000h to 1EFFFFh
	SA62	1	1	1	1	1	0	X	X	X	X	1F0000h to 1F7FFFh
	SA63	1	1	1	1	1	1	0	0	0	X	1F8000h to 1F8FFFh
	SA64	1	1	1	1	1	1	0	0	1	X	1F9000h to 1F9FFFh
	SA65	1	1	1	1	1	1	0	1	0	X	1FA000h to 1FAFFFh
	SA66	1	1	1	1	1	1	0	1	1	X	1FB000h to 1FBFFFh
	SA67	1	1	1	1	1	1	1	0	0	X	1FC000h to 1FCFFFh
	SA68	1	1	1	1	1	1	1	0	1	X	1FD000h to 1FDFFFh
	SA69	1	1	1	1	1	1	1	1	0	X	1FE000h to 1FEFFFh
	SA70	1	1	1	1	1	1	1	1	1	X	1FF000h to 1FFFFFh

# MB84VD22386/387/388EJ-85/90/MB84VD22396/397/398EJ-85/90

## Sector Address Tables (MB84VD22396EJ)

Bank	Sector	Sector Address										Address Range	
		Bank Address											
		A <sub>20</sub>	A <sub>19</sub>	A <sub>18</sub>	A <sub>17</sub>	A <sub>16</sub>	A <sub>15</sub>	A <sub>14</sub>	A <sub>13</sub>	A <sub>12</sub>	A <sub>11</sub>		
Bank 1	SA0	0	0	0	0	0	0	0	0	0	0	X	000000h to 000FFFh
	SA1	0	0	0	0	0	0	0	0	0	1	X	001000h to 001FFFh
	SA2	0	0	0	0	0	0	0	0	1	0	X	002000h to 002FFFh
	SA3	0	0	0	0	0	0	0	0	1	1	X	003000h to 003FFFh
	SA4	0	0	0	0	0	0	0	1	0	0	X	004000h to 004FFFh
	SA5	0	0	0	0	0	0	0	1	0	1	X	005000h to 005FFFh
	SA6	0	0	0	0	0	0	0	1	1	0	X	006000h to 006FFFh
	SA7	0	0	0	0	0	0	0	1	1	1	X	007000h to 007FFFh
	SA8	0	0	0	0	0	0	1	X	X	X	X	008000h to 00FFFFh
	SA9	0	0	0	0	0	1	0	X	X	X	X	010000h to 017FFFh
	SA10	0	0	0	0	0	1	1	X	X	X	X	018000h to 01FFFFh
	SA11	0	0	0	0	1	0	0	X	X	X	X	020000h to 027FFFh
	SA12	0	0	0	0	1	0	1	X	X	X	X	028000h to 02FFFFh
	SA13	0	0	0	0	1	1	0	X	X	X	X	030000h to 037FFFh
SA14	0	0	0	0	1	1	1	X	X	X	X	038000h to 03FFFFh	
Bank 2	SA15	0	0	1	0	0	0	X	X	X	X	040000h to 047FFFh	
	SA16	0	0	1	0	0	1	X	X	X	X	048000h to 04FFFFh	
	SA17	0	0	1	0	1	0	X	X	X	X	050000h to 057FFFh	
	SA18	0	0	1	0	1	1	X	X	X	X	058000h to 05FFFFh	
	SA19	0	0	1	1	0	0	X	X	X	X	060000h to 067FFFh	
	SA20	0	0	1	1	0	1	X	X	X	X	068000h to 06FFFFh	
	SA21	0	0	1	1	1	0	X	X	X	X	070000h to 077FFFh	
	SA22	0	0	1	1	1	1	X	X	X	X	078000h to 07FFFFh	
	SA23	0	1	0	0	0	0	X	X	X	X	080000h to 087FFFh	
	SA24	0	1	0	0	0	1	X	X	X	X	088000h to 08FFFFh	
	SA25	0	1	0	0	1	0	X	X	X	X	090000h to 097FFFh	
	SA26	0	1	0	0	1	1	X	X	X	X	098000h to 09FFFFh	
	SA27	0	1	0	1	0	0	X	X	X	X	0A0000h to 0A7FFFh	
	SA28	0	1	0	1	0	1	X	X	X	X	0A8000h to 0AFFFFh	
	SA29	0	1	0	1	1	0	X	X	X	X	0B0000h to 0B7FFFh	
	SA30	0	1	0	1	1	1	X	X	X	X	0B8000h to 0BFFFFh	
	SA31	0	1	1	0	0	0	X	X	X	X	0C0000h to 0C7FFFh	
	SA32	0	1	1	0	0	1	X	X	X	X	0C8000h to 0CFFFFh	
	SA33	0	1	1	0	1	0	X	X	X	X	0D0000h to 0D7FFFh	
	SA34	0	1	1	0	1	1	X	X	X	X	0D8000h to 0DFFFFh	
	SA35	0	1	1	1	0	0	X	X	X	X	0E0000h to 0E7FFFh	
	SA36	0	1	1	1	0	1	X	X	X	X	0E8000h to 0EFFFFh	
	SA37	0	1	1	1	1	0	X	X	X	X	0F0000h to 0F7FFFh	
	SA38	0	1	1	1	1	1	X	X	X	X	0F8000h to 0FFFFFh	

(Continued)

# MB84VD22386/387/388EJ-85/90/MB84VD22396/397/398EJ-85/90

(Continued)

Bank	Sector	Sector Address										Address Range
		Bank Address			A <sub>17</sub>	A <sub>16</sub>	A <sub>15</sub>	A <sub>14</sub>	A <sub>13</sub>	A <sub>12</sub>	A <sub>11</sub>	
		A <sub>20</sub>	A <sub>19</sub>	A <sub>18</sub>								
Bank 2	SA39	1	0	0	0	0	0	X	X	X	X	100000h to 107FFFh
	SA40	1	0	0	0	0	1	X	X	X	X	108000h to 10FFFFh
	SA41	1	0	0	0	1	0	X	X	X	X	110000h to 117FFFh
	SA42	1	0	0	0	1	1	X	X	X	X	118000h to 11FFFFh
	SA43	1	0	0	1	0	0	X	X	X	X	120000h to 127FFFh
	SA44	1	0	0	1	0	1	X	X	X	X	128000h to 12FFFFh
	SA45	1	0	0	1	1	0	X	X	X	X	130000h to 137FFFh
	SA46	1	0	0	1	1	1	X	X	X	X	138000h to 13FFFFh
	SA47	1	0	1	0	0	0	X	X	X	X	140000h to 147FFFh
	SA48	1	0	1	0	0	1	X	X	X	X	148000h to 14FFFFh
	SA49	1	0	1	0	1	0	X	X	X	X	150000h to 157FFFh
	SA50	1	0	1	0	1	1	X	X	X	X	158000h to 15FFFFh
	SA51	1	0	1	1	0	0	X	X	X	X	160000h to 167FFFh
	SA52	1	0	1	1	0	1	X	X	X	X	168000h to 16FFFFh
	SA53	1	0	1	1	1	0	X	X	X	X	170000h to 177FFFh
	SA54	1	0	1	1	1	1	X	X	X	X	178000h to 17FFFFh
	SA55	1	1	0	0	0	0	X	X	X	X	180000h to 187FFFh
	SA56	1	1	0	0	0	1	X	X	X	X	188000h to 18FFFFh
	SA57	1	1	0	0	1	0	X	X	X	X	190000h to 197FFFh
	SA58	1	1	0	0	1	1	X	X	X	X	198000h to 19FFFFh
	SA59	1	1	0	1	0	0	X	X	X	X	1A0000h to 1A7FFFh
	SA60	1	1	0	1	0	1	X	X	X	X	1A8000h to 1AFFFFh
	SA61	1	1	0	1	1	0	X	X	X	X	1B0000h to 1B7FFFh
	SA62	1	1	0	1	1	1	X	X	X	X	1B8000h to 1BFFFFh
	SA63	1	1	1	0	0	0	X	X	X	X	1C0000h to 1C7FFFh
	SA64	1	1	1	0	0	1	X	X	X	X	1C8000h to 1CFFFFh
	SA65	1	1	1	0	1	0	X	X	X	X	1D0000h to 1D7FFFh
	SA66	1	1	1	0	1	1	X	X	X	X	1D8000h to 1DFFFFh
	SA67	1	1	1	1	0	0	X	X	X	X	1E0000h to 1E7FFFh
	SA68	1	1	1	1	0	1	X	X	X	X	1E8000h to 1EFFFFh
SA69	1	1	1	1	1	0	X	X	X	X	1F0000h to 1F7FFFh	
SA70	1	1	1	1	1	1	X	X	X	X	1F8000h to 1FFFFFh	

# MB84VD22386/387/388EJ-85/90/MB84VD22396/397/398EJ-85/90

### Sector Address Tables (MB84VD22387EJ)

Bank	Sector	Sector Address										Address Range
		Bank Address		A <sub>18</sub>	A <sub>17</sub>	A <sub>16</sub>	A <sub>15</sub>	A <sub>14</sub>	A <sub>13</sub>	A <sub>12</sub>	A <sub>11</sub>	
		A <sub>20</sub>	A <sub>19</sub>									
Bank 2	SA0	0	0	0	0	0	0	X	X	X	X	000000h to 007FFFh
	SA1	0	0	0	0	0	1	X	X	X	X	008000h to 00FFFFh
	SA2	0	0	0	0	1	0	X	X	X	X	010000h to 017FFFh
	SA3	0	0	0	0	1	1	X	X	X	X	018000h to 01FFFFh
	SA4	0	0	0	1	0	0	X	X	X	X	020000h to 027FFFh
	SA5	0	0	0	1	0	1	X	X	X	X	028000h to 02FFFFh
	SA6	0	0	0	1	1	0	X	X	X	X	030000h to 037FFFh
	SA7	0	0	0	1	1	1	X	X	X	X	038000h to 03FFFFh
	SA8	0	0	1	0	0	0	X	X	X	X	040000h to 047FFFh
	SA9	0	0	1	0	0	1	X	X	X	X	048000h to 04FFFFh
	SA10	0	0	1	0	1	0	X	X	X	X	050000h to 057FFFh
	SA11	0	0	1	0	1	1	X	X	X	X	058000h to 05FFFFh
	SA12	0	0	1	1	0	0	X	X	X	X	060000h to 067FFFh
	SA13	0	0	1	1	0	1	X	X	X	X	068000h to 06FFFFh
	SA14	0	0	1	1	1	0	X	X	X	X	070000h to 077FFFh
	SA15	0	0	1	1	1	1	X	X	X	X	078000h to 07FFFFh
	SA16	0	1	0	0	0	0	X	X	X	X	080000h to 087FFFh
	SA17	0	1	0	0	0	1	X	X	X	X	088000h to 08FFFFh
	SA18	0	1	0	0	1	0	X	X	X	X	090000h to 097FFFh
	SA19	0	1	0	0	1	1	X	X	X	X	098000h to 09FFFFh
	SA20	0	1	0	1	0	0	X	X	X	X	0A0000h to 0A7FFFh
	SA21	0	1	0	1	0	1	X	X	X	X	0A8000h to 0AFFFFh
	SA22	0	1	0	1	1	0	X	X	X	X	0B0000h to 0B7FFFh
	SA23	0	1	0	1	1	1	X	X	X	X	0B8000h to 0BFFFFh
	SA24	0	1	1	0	0	0	X	X	X	X	0C0000h to 0C7FFFh
	SA25	0	1	1	0	0	1	X	X	X	X	0C8000h to 0CFFFFh
	SA26	0	1	1	0	1	0	X	X	X	X	0D0000h to 0D7FFFh
	SA27	0	1	1	0	1	1	X	X	X	X	0D8000h to 0DFFFFh
	SA28	0	1	1	1	0	0	X	X	X	X	0E0000h to 0E7FFFh
	SA29	0	1	1	1	0	1	X	X	X	X	0E8000h to 0EFFFFh
	SA30	0	1	1	1	1	0	X	X	X	X	0F0000h to 0F7FFFh
	SA31	0	1	1	1	1	1	X	X	X	X	0F8000h to 0FFFFFh

*(Continued)*

# MB84VD22386/387/388EJ-85/90/MB84VD22396/397/398EJ-85/90

(Continued)

Bank	Sector	Sector Address										Address Range
		Bank Address		A <sub>18</sub>	A <sub>17</sub>	A <sub>16</sub>	A <sub>15</sub>	A <sub>14</sub>	A <sub>13</sub>	A <sub>12</sub>	A <sub>11</sub>	
		A <sub>20</sub>	A <sub>19</sub>									
Bank 2	SA32	1	0	0	0	0	0	X	X	X	X	100000h to 107FFFh
	SA33	1	0	0	0	0	1	X	X	X	X	108000h to 10FFFFh
	SA34	1	0	0	0	1	0	X	X	X	X	110000h to 117FFFh
	SA35	1	0	0	0	1	1	X	X	X	X	118000h to 11FFFFh
	SA36	1	0	0	1	0	0	X	X	X	X	120000h to 127FFFh
	SA37	1	0	0	1	0	1	X	X	X	X	128000h to 12FFFFh
	SA38	1	0	0	1	1	0	X	X	X	X	130000h to 137FFFh
	SA39	1	0	0	1	1	1	X	X	X	X	138000h to 13FFFFh
	SA40	1	0	1	0	0	0	X	X	X	X	140000h to 147FFFh
	SA41	1	0	1	0	0	1	X	X	X	X	148000h to 14FFFFh
	SA42	1	0	1	0	1	0	X	X	X	X	150000h to 157FFFh
	SA43	1	0	1	0	1	1	X	X	X	X	158000h to 15FFFFh
	SA44	1	0	1	1	0	0	X	X	X	X	160000h to 167FFFh
	SA45	1	0	1	1	0	1	X	X	X	X	168000h to 16FFFFh
	SA46	1	0	1	1	1	0	X	X	X	X	170000h to 177FFFh
	SA47	1	0	1	1	1	1	X	X	X	X	178000h to 17FFFFh
Bank 1	SA48	1	1	0	0	0	0	X	X	X	X	180000h to 187FFFh
	SA49	1	1	0	0	0	1	X	X	X	X	188000h to 18FFFFh
	SA50	1	1	0	0	1	0	X	X	X	X	190000h to 197FFFh
	SA51	1	1	0	0	1	1	X	X	X	X	198000h to 19FFFFh
	SA52	1	1	0	1	0	0	X	X	X	X	1A0000h to 1A7FFFh
	SA53	1	1	0	1	0	1	X	X	X	X	1A8000h to 1AFFFFh
	SA54	1	1	0	1	1	0	X	X	X	X	1B0000h to 1B7FFFh
	SA55	1	1	0	1	1	1	X	X	X	X	1B8000h to 1BFFFFh
	SA56	1	1	1	0	0	0	X	X	X	X	1C0000h to 1C7FFFh
	SA57	1	1	1	0	0	1	X	X	X	X	1C8000h to 1CFFFFh
	SA58	1	1	1	0	1	0	X	X	X	X	1D0000h to 1D7FFFh
	SA59	1	1	1	0	1	1	X	X	X	X	1D8000h to 1DFFFFh
	SA60	1	1	1	1	0	0	X	X	X	X	1E0000h to 1E7FFFh
	SA61	1	1	1	1	0	1	X	X	X	X	1E8000h to 1EFFFFh
	SA62	1	1	1	1	1	0	X	X	X	X	1F0000h to 1F7FFFh
	SA63	1	1	1	1	1	1	0	0	0	X	1F8000h to 1F8FFFh
	SA64	1	1	1	1	1	1	0	0	1	X	1F9000h to 1F9FFFh
	SA65	1	1	1	1	1	1	0	1	0	X	1FA000h to 1FAFFFh
	SA66	1	1	1	1	1	1	0	1	1	X	1FB000h to 1FBFFFh
	SA67	1	1	1	1	1	1	1	0	0	X	1FC000h to 1FCFFFh
	SA68	1	1	1	1	1	1	1	0	1	X	1FD000h to 1FDFFFh
	SA69	1	1	1	1	1	1	1	1	0	X	1FE000h to 1FEFFFh
	SA70	1	1	1	1	1	1	1	1	1	X	1FF000h to 1FFFFh

# MB84VD22386/387/388EJ-85/90/MB84VD22396/397/398EJ-85/90

**Sector Address Tables (MB84VD22397EJ)**

Bank	Sector	Sector Address										Address Range
		Bank Address		A <sub>18</sub>	A <sub>17</sub>	A <sub>16</sub>	A <sub>15</sub>	A <sub>14</sub>	A <sub>13</sub>	A <sub>12</sub>	A <sub>11</sub>	
		A <sub>20</sub>	A <sub>19</sub>									
Bank 1	SA0	0	0	0	0	0	0	0	0	0	X	000000h to 000FFFh
	SA1	0	0	0	0	0	0	0	0	1	X	001000h to 001FFFh
	SA2	0	0	0	0	0	0	0	1	0	X	002000h to 002FFFh
	SA3	0	0	0	0	0	0	0	1	1	X	003000h to 003FFFh
	SA4	0	0	0	0	0	0	1	0	0	X	004000h to 004FFFh
	SA5	0	0	0	0	0	0	1	0	1	X	005000h to 005FFFh
	SA6	0	0	0	0	0	0	1	1	0	X	006000h to 006FFFh
	SA7	0	0	0	0	0	0	1	1	1	X	007000h to 007FFFh
	SA8	0	0	0	0	0	1	X	X	X	X	008000h to 00FFFFh
	SA9	0	0	0	0	1	0	X	X	X	X	010000h to 017FFFh
	SA10	0	0	0	0	1	1	X	X	X	X	018000h to 01FFFFh
	SA11	0	0	0	1	0	0	X	X	X	X	020000h to 027FFFh
	SA12	0	0	0	1	0	1	X	X	X	X	028000h to 02FFFFh
	SA13	0	0	0	1	1	0	X	X	X	X	030000h to 037FFFh
	SA14	0	0	0	1	1	1	X	X	X	X	038000h to 03FFFFh
	SA15	0	0	1	0	0	0	X	X	X	X	040000h to 047FFFh
	SA16	0	0	1	0	0	1	X	X	X	X	048000h to 04FFFFh
	SA17	0	0	1	0	1	0	X	X	X	X	050000h to 057FFFh
	SA18	0	0	1	0	1	1	X	X	X	X	058000h to 05FFFFh
	SA19	0	0	1	1	0	0	X	X	X	X	060000h to 067FFFh
	SA20	0	0	1	1	0	1	X	X	X	X	068000h to 06FFFFh
	SA21	0	0	1	1	1	0	X	X	X	X	070000h to 077FFFh
SA22	0	0	1	1	1	1	X	X	X	X	078000h to 07FFFFh	
Bank 2	SA23	0	1	0	0	0	0	X	X	X	X	080000h to 087FFFh
	SA24	0	1	0	0	0	1	X	X	X	X	088000h to 08FFFFh
	SA25	0	1	0	0	1	0	X	X	X	X	090000h to 097FFFh
	SA26	0	1	0	0	1	1	X	X	X	X	098000h to 09FFFFh
	SA27	0	1	0	1	0	0	X	X	X	X	0A0000h to 0A7FFFh
	SA28	0	1	0	1	0	1	X	X	X	X	0A8000h to 0AFFFFh
	SA29	0	1	0	1	1	0	X	X	X	X	0B0000h to 0B7FFFh
	SA30	0	1	0	1	1	1	X	X	X	X	0B8000h to 0BFFFFh
	SA31	0	1	1	0	0	0	X	X	X	X	0C0000h to 0C7FFFh
	SA32	0	1	1	0	0	1	X	X	X	X	0C8000h to 0CFFFFh
	SA33	0	1	1	0	1	0	X	X	X	X	0D0000h to 0D7FFFh
	SA34	0	1	1	0	1	1	X	X	X	X	0D8000h to 0DFFFFh
	SA35	0	1	1	1	0	0	X	X	X	X	0E0000h to 0E7FFFh
	SA36	0	1	1	1	0	1	X	X	X	X	0E8000h to 0EFFFFh
	SA37	0	1	1	1	1	0	X	X	X	X	0F0000h to 0F7FFFh
	SA38	0	1	1	1	1	1	X	X	X	X	0F8000h to 0FFFFFh

(Continued)



# MB84VD22386/387/388EJ-85/90/MB84VD22396/397/398EJ-85/90

(Continued)

Bank	Sector	Sector Address										Address Range
		Bank Address		A <sub>18</sub>	A <sub>17</sub>	A <sub>16</sub>	A <sub>15</sub>	A <sub>14</sub>	A <sub>13</sub>	A <sub>12</sub>	A <sub>11</sub>	
		A <sub>20</sub>	A <sub>19</sub>									
Bank 2	SA39	1	0	0	0	0	0	X	X	X	X	100000h to 107FFFh
	SA40	1	0	0	0	0	1	X	X	X	X	108000h to 10FFFFh
	SA41	1	0	0	0	1	0	X	X	X	X	110000h to 117FFFh
	SA42	1	0	0	0	1	1	X	X	X	X	118000h to 11FFFFh
	SA43	1	0	0	1	0	0	X	X	X	X	120000h to 127FFFh
	SA44	1	0	0	1	0	1	X	X	X	X	128000h to 12FFFFh
	SA45	1	0	0	1	1	0	X	X	X	X	130000h to 137FFFh
	SA46	1	0	0	1	1	1	X	X	X	X	138000h to 13FFFFh
	SA47	1	0	1	0	0	0	X	X	X	X	140000h to 147FFFh
	SA48	1	0	1	0	0	1	X	X	X	X	148000h to 14FFFFh
	SA49	1	0	1	0	1	0	X	X	X	X	150000h to 157FFFh
	SA50	1	0	1	0	1	1	X	X	X	X	158000h to 15FFFFh
	SA51	1	0	1	1	0	0	X	X	X	X	160000h to 167FFFh
	SA52	1	0	1	1	0	1	X	X	X	X	168000h to 16FFFFh
	SA53	1	0	1	1	1	0	X	X	X	X	170000h to 177FFFh
	SA54	1	0	1	1	1	1	X	X	X	X	178000h to 17FFFFh
	SA55	1	1	0	0	0	0	X	X	X	X	180000h to 187FFFh
	SA56	1	1	0	0	0	1	X	X	X	X	188000h to 18FFFFh
	SA57	1	1	0	0	1	0	X	X	X	X	190000h to 197FFFh
	SA58	1	1	0	0	1	1	X	X	X	X	198000h to 19FFFFh
	SA59	1	1	0	1	0	0	X	X	X	X	1A0000h to 1A7FFFh
	SA60	1	1	0	1	0	1	X	X	X	X	1A8000h to 1AFFFFh
	SA61	1	1	0	1	1	0	X	X	X	X	1B0000h to 1B7FFFh
	SA62	1	1	0	1	1	1	X	X	X	X	1B8000h to 1BFFFFh
	SA63	1	1	1	0	0	0	X	X	X	X	1C0000h to 1C7FFFh
	SA64	1	1	1	0	0	1	X	X	X	X	1C8000h to 1CFFFFh
	SA65	1	1	1	0	1	0	X	X	X	X	1D0000h to 1D7FFFh
	SA66	1	1	1	0	1	1	X	X	X	X	1D8000h to 1DFFFFh
	SA67	1	1	1	1	0	0	X	X	X	X	1E0000h to 1E7FFFh
	SA68	1	1	1	1	0	1	X	X	X	X	1E8000h to 1EFFFFh
SA69	1	1	1	1	1	0	X	X	X	X	1F0000h to 1F7FFFh	
SA70	1	1	1	1	1	1	X	X	X	X	1F8000h to 1FFFFh	

# MB84VD22386/387/388EJ-85/90/MB84VD22396/397/398EJ-85/90

## Sector Address Tables (MB84VD22388EJ)

Bank	Sector	Sector Address										Address Range	
		Bank Address											
		A <sub>20</sub>	A <sub>19</sub>	A <sub>18</sub>	A <sub>17</sub>	A <sub>16</sub>	A <sub>15</sub>	A <sub>14</sub>	A <sub>13</sub>	A <sub>12</sub>	A <sub>11</sub>		
Bank 2	SA0	0	0	0	0	0	0	0	X	X	X	X	000000h to 007FFFh
	SA1	0	0	0	0	0	0	1	X	X	X	X	008000h to 00FFFFh
	SA2	0	0	0	0	1	0	0	X	X	X	X	010000h to 017FFFh
	SA3	0	0	0	0	1	1	0	X	X	X	X	018000h to 01FFFFh
	SA4	0	0	0	1	0	0	0	X	X	X	X	020000h to 027FFFh
	SA5	0	0	0	1	0	1	0	X	X	X	X	028000h to 02FFFFh
	SA6	0	0	0	1	1	0	0	X	X	X	X	030000h to 037FFFh
	SA7	0	0	0	1	1	1	0	X	X	X	X	038000h to 03FFFFh
	SA8	0	0	1	0	0	0	0	X	X	X	X	040000h to 047FFFh
	SA9	0	0	1	0	0	1	0	X	X	X	X	048000h to 04FFFFh
	SA10	0	0	1	0	1	0	0	X	X	X	X	050000h to 057FFFh
	SA11	0	0	1	0	1	1	0	X	X	X	X	058000h to 05FFFFh
	SA12	0	0	1	1	0	0	0	X	X	X	X	060000h to 067FFFh
	SA13	0	0	1	1	0	1	0	X	X	X	X	068000h to 06FFFFh
	SA14	0	0	1	1	1	0	0	X	X	X	X	070000h to 077FFFh
	SA15	0	0	1	1	1	1	0	X	X	X	X	078000h to 07FFFFh
	SA16	0	1	0	0	0	0	0	X	X	X	X	080000h to 087FFFh
	SA17	0	1	0	0	0	1	0	X	X	X	X	088000h to 08FFFFh
	SA18	0	1	0	0	1	0	0	X	X	X	X	090000h to 097FFFh
	SA19	0	1	0	0	1	1	0	X	X	X	X	098000h to 09FFFFh
	SA20	0	1	0	1	0	0	0	X	X	X	X	0A0000h to 0A7FFFh
	SA21	0	1	0	1	0	1	0	X	X	X	X	0A8000h to 0AFFFFh
	SA22	0	1	0	1	1	0	0	X	X	X	X	0B0000h to 0B7FFFh
	SA23	0	1	0	1	1	1	0	X	X	X	X	0B8000h to 0BFFFFh
	SA24	0	1	1	0	0	0	0	X	X	X	X	0C0000h to 0C7FFFh
	SA25	0	1	1	0	0	1	0	X	X	X	X	0C8000h to 0CFFFFh
	SA26	0	1	1	0	1	0	0	X	X	X	X	0D0000h to 0D7FFFh
	SA27	0	1	1	0	1	1	0	X	X	X	X	0D8000h to 0DFFFFh
	SA28	0	1	1	1	0	0	0	X	X	X	X	0E0000h to 0E7FFFh
	SA29	0	1	1	1	0	1	0	X	X	X	X	0E8000h to 0EFFFFh
	SA30	0	1	1	1	1	0	0	X	X	X	X	0F0000h to 0F7FFFh
	SA31	0	1	1	1	1	1	0	X	X	X	X	0F8000h to 0FFFFFh

(Continued)

# MB84VD22386/387/388EJ-85/90/MB84VD22396/397/398EJ-85/90

(Continued)

Bank	Sector	Sector Address										Address Range	
		Bank Address											
		A <sub>20</sub>	A <sub>19</sub>	A <sub>18</sub>	A <sub>17</sub>	A <sub>16</sub>	A <sub>15</sub>	A <sub>14</sub>	A <sub>13</sub>	A <sub>12</sub>	A <sub>11</sub>		
Bank 1	SA32	1	0	0	0	0	0	X	X	X	X	100000h to 107FFFh	
	SA33	1	0	0	0	0	1	X	X	X	X	108000h to 10FFFFh	
	SA34	1	0	0	0	1	0	X	X	X	X	110000h to 117FFFh	
	SA35	1	0	0	0	1	1	X	X	X	X	118000h to 11FFFFh	
	SA36	1	0	0	1	0	0	X	X	X	X	120000h to 127FFFh	
	SA37	1	0	0	1	0	1	X	X	X	X	128000h to 12FFFFh	
	SA38	1	0	0	1	1	0	X	X	X	X	130000h to 137FFFh	
	SA39	1	0	0	1	1	1	X	X	X	X	138000h to 13FFFFh	
	SA40	1	0	1	0	0	0	X	X	X	X	140000h to 147FFFh	
	SA41	1	0	1	0	0	1	X	X	X	X	148000h to 14FFFFh	
	SA42	1	0	1	0	1	0	X	X	X	X	150000h to 157FFFh	
	SA43	1	0	1	0	1	1	X	X	X	X	158000h to 15FFFFh	
	SA44	1	0	1	1	0	0	X	X	X	X	160000h to 167FFFh	
	SA45	1	0	1	1	0	1	X	X	X	X	168000h to 16FFFFh	
	SA46	1	0	1	1	1	0	X	X	X	X	170000h to 177FFFh	
	SA47	1	0	1	1	1	1	X	X	X	X	178000h to 17FFFFh	
	SA48	1	1	0	0	0	0	X	X	X	X	180000h to 187FFFh	
	SA49	1	1	0	0	0	1	X	X	X	X	188000h to 18FFFFh	
	SA50	1	1	0	0	1	0	X	X	X	X	190000h to 197FFFh	
	SA51	1	1	0	0	1	1	X	X	X	X	198000h to 19FFFFh	
	SA52	1	1	0	1	0	0	X	X	X	X	1A0000h to 1A7FFFh	
	SA53	1	1	0	1	0	1	X	X	X	X	1A8000h to 1AFFFFh	
	SA54	1	1	0	1	1	0	X	X	X	X	1B0000h to 1B7FFFh	
	SA55	1	1	0	1	1	1	X	X	X	X	1B8000h to 1BFFFFh	
	SA56	1	1	1	0	0	0	X	X	X	X	1C0000h to 1C7FFFh	
	SA57	1	1	1	0	0	1	X	X	X	X	1C8000h to 1CFFFFh	
	SA58	1	1	1	0	1	0	X	X	X	X	1D0000h to 1D7FFFh	
	SA59	1	1	1	0	1	1	X	X	X	X	1D8000h to 1DFFFFh	
	SA60	1	1	1	1	0	0	X	X	X	X	1E0000h to 1E7FFFh	
	SA61	1	1	1	1	0	1	X	X	X	X	1E8000h to 1EFFFFh	
	SA62	1	1	1	1	1	0	X	X	X	X	1F0000h to 1F7FFFh	
	SA63	1	1	1	1	1	1	0	0	0	X	1F8000h to 1F8FFFh	
SA64	1	1	1	1	1	1	0	0	1	X	1F9000h to 1F9FFFh		
SA65	1	1	1	1	1	1	0	1	0	X	1FA000h to 1FAFFFh		
SA66	1	1	1	1	1	1	0	1	1	X	1FB000h to 1FBFFFh		
SA67	1	1	1	1	1	1	1	0	0	X	1FC000h to 1FCFFFh		
SA68	1	1	1	1	1	1	1	0	1	X	1FD000h to 1FDFFFh		
SA69	1	1	1	1	1	1	1	1	0	X	1FE000h to 1FEFFFh		
SA70	1	1	1	1	1	1	1	1	1	X	1FF000h to 1FFFFFFh		

# MB84VD22386/387/388EJ-85/90/MB84VD22396/397/398EJ-85/90

### Sector Address Tables (MB84VD22398EJ)

Bank	Sector	Sector Address										Address Range	
		Bank Address											
		A <sub>20</sub>	A <sub>19</sub>	A <sub>18</sub>	A <sub>17</sub>	A <sub>16</sub>	A <sub>15</sub>	A <sub>14</sub>	A <sub>13</sub>	A <sub>12</sub>	A <sub>11</sub>		
Bank 1	SA0	0	0	0	0	0	0	0	0	0	X	000000h to 000FFFh	
	SA1	0	0	0	0	0	0	0	0	1	X	001000h to 001FFFh	
	SA2	0	0	0	0	0	0	0	1	0	X	002000h to 002FFFh	
	SA3	0	0	0	0	0	0	0	1	1	X	003000h to 003FFFh	
	SA4	0	0	0	0	0	0	1	0	0	X	004000h to 004FFFh	
	SA5	0	0	0	0	0	0	1	0	1	X	005000h to 005FFFh	
	SA6	0	0	0	0	0	0	1	1	0	X	006000h to 006FFFh	
	SA7	0	0	0	0	0	0	1	1	1	X	007000h to 007FFFh	
	SA8	0	0	0	0	0	1	X	X	X	X	008000h to 00FFFFh	
	SA9	0	0	0	0	1	0	X	X	X	X	010000h to 017FFFh	
	SA10	0	0	0	0	1	1	X	X	X	X	018000h to 01FFFFh	
	SA11	0	0	0	1	0	0	X	X	X	X	020000h to 027FFFh	
	SA12	0	0	0	1	0	1	X	X	X	X	028000h to 02FFFFh	
	SA13	0	0	0	1	1	0	X	X	X	X	030000h to 037FFFh	
	SA14	0	0	0	1	1	1	X	X	X	X	038000h to 03FFFFh	
	SA15	0	0	1	0	0	0	X	X	X	X	040000h to 047FFFh	
	SA16	0	0	1	0	0	1	X	X	X	X	048000h to 04FFFFh	
	SA17	0	0	1	0	1	0	X	X	X	X	050000h to 057FFFh	
	SA18	0	0	1	0	1	1	X	X	X	X	058000h to 05FFFFh	
	SA19	0	0	1	1	0	0	X	X	X	X	060000h to 067FFFh	
	SA20	0	0	1	1	0	1	X	X	X	X	068000h to 06FFFFh	
	SA21	0	0	1	1	1	0	X	X	X	X	070000h to 077FFFh	
	SA22	0	0	1	1	1	1	X	X	X	X	078000h to 07FFFFh	
	SA23	0	1	0	0	0	0	X	X	X	X	080000h to 087FFFh	
	SA24	0	1	0	0	0	1	X	X	X	X	088000h to 08FFFFh	
	SA25	0	1	0	0	1	0	X	X	X	X	090000h to 097FFFh	
	SA26	0	1	0	0	1	1	X	X	X	X	098000h to 09FFFFh	
	SA27	0	1	0	1	0	0	X	X	X	X	0A0000h to 0A7FFFh	
	SA28	0	1	0	1	0	1	X	X	X	X	0A8000h to 0AFFFFh	
	SA29	0	1	0	1	1	0	X	X	X	X	0B0000h to 0B7FFFh	
	SA30	0	1	0	1	1	1	X	X	X	X	0B8000h to 0BFFFFh	
	SA31	0	1	1	0	0	0	X	X	X	X	0C0000h to 0C7FFFh	
	SA32	0	1	1	0	0	1	X	X	X	X	0C8000h to 0CFFFFh	
	SA33	0	1	1	0	1	0	X	X	X	X	0D0000h to 0D7FFFh	
	SA34	0	1	1	0	1	1	X	X	X	X	0D8000h to 0DFFFFh	
	SA35	0	1	1	1	0	0	X	X	X	X	0E0000h to 0E7FFFh	
	SA36	0	1	1	1	0	1	X	X	X	X	0E8000h to 0EFFFFh	
	SA37	0	1	1	1	1	0	X	X	X	X	0F0000h to 0F7FFFh	
SA38	0	1	1	1	1	1	X	X	X	X	0F8000h to 0FFFFFh		

(Continued)

# MB84VD22386/387/388EJ-85/90/MB84VD22396/397/398EJ-85/90

(Continued)

Bank	Sector	Sector Address										Address Range	
		Bank Address											
		A <sub>20</sub>	A <sub>19</sub>	A <sub>18</sub>	A <sub>17</sub>	A <sub>16</sub>	A <sub>15</sub>	A <sub>14</sub>	A <sub>13</sub>	A <sub>12</sub>	A <sub>11</sub>		
Bank 2	SA39	1	0	0	0	0	0	0	X	X	X	X	10000h to 107FFFh
	SA40	1	0	0	0	0	1	0	X	X	X	X	108000h to 10FFFFh
	SA41	1	0	0	0	1	0	0	X	X	X	X	110000h to 117FFFh
	SA42	1	0	0	0	1	1	0	X	X	X	X	118000h to 11FFFFh
	SA43	1	0	0	1	0	0	0	X	X	X	X	120000h to 127FFFh
	SA44	1	0	0	1	0	1	0	X	X	X	X	128000h to 12FFFFh
	SA45	1	0	0	1	1	0	0	X	X	X	X	130000h to 137FFFh
	SA46	1	0	0	1	1	1	0	X	X	X	X	138000h to 13FFFFh
	SA47	1	0	1	0	0	0	0	X	X	X	X	140000h to 147FFFh
	SA48	1	0	1	0	0	1	0	X	X	X	X	148000h to 14FFFFh
	SA49	1	0	1	0	1	0	0	X	X	X	X	150000h to 157FFFh
	SA50	1	0	1	0	1	1	0	X	X	X	X	158000h to 15FFFFh
	SA51	1	0	1	1	0	0	0	X	X	X	X	160000h to 167FFFh
	SA52	1	0	1	1	0	1	0	X	X	X	X	168000h to 16FFFFh
	SA53	1	0	1	1	1	0	0	X	X	X	X	170000h to 177FFFh
	SA54	1	0	1	1	1	1	0	X	X	X	X	178000h to 17FFFFh
	SA55	1	1	0	0	0	0	0	X	X	X	X	180000h to 187FFFh
	SA56	1	1	0	0	0	1	0	X	X	X	X	188000h to 18FFFFh
	SA57	1	1	0	0	1	0	0	X	X	X	X	190000h to 197FFFh
	SA58	1	1	0	0	1	1	0	X	X	X	X	198000h to 19FFFFh
	SA59	1	1	0	1	0	0	0	X	X	X	X	1A0000h to 1A7FFFh
	SA60	1	1	0	1	0	1	0	X	X	X	X	1A8000h to 1AFFFFh
	SA61	1	1	0	1	1	0	0	X	X	X	X	1B0000h to 1B7FFFh
	SA62	1	1	0	1	1	1	0	X	X	X	X	1B8000h to 1BFFFFh
	SA63	1	1	1	0	0	0	0	X	X	X	X	1C0000h to 1C7FFFh
	SA64	1	1	1	0	0	1	0	X	X	X	X	1C8000h to 1CFFFFh
	SA65	1	1	1	0	1	0	0	X	X	X	X	1D0000h to 1D7FFFh
	SA66	1	1	1	0	1	1	0	X	X	X	X	1D8000h to 1DFFFFh
	SA67	1	1	1	1	0	0	0	X	X	X	X	1E0000h to 1E7FFFh
	SA68	1	1	1	1	0	1	0	X	X	X	X	1E8000h to 1EFFFFh
SA69	1	1	1	1	1	0	0	X	X	X	X	1F0000h to 1F7FFFh	
SA70	1	1	1	1	1	1	0	X	X	X	X	1F8000h to 1FFFFh	

# MB84VD22386/387/388EJ-85/90/MB84VD22396/397/398EJ-85/90

## Sector Group Addresses (MB84VD22386EJ/VD22387EJ/VD22388EJ) (Top Boot Block)

Sector Group	A <sub>20</sub>	A <sub>19</sub>	A <sub>18</sub>	A <sub>17</sub>	A <sub>16</sub>	A <sub>15</sub>	A <sub>14</sub>	A <sub>13</sub>	A <sub>12</sub>	Sectors
SGA0	0	0	0	0	0	0	X	X	X	SA0
SGA1	0	0	0	0	0	1	X	X	X	SA1 to SA3
					1	0				
					1	1				
SGA2	0	0	0	1	X	X	X	X	X	SA4 to SA7
SGA3	0	0	1	0	X	X	X	X	X	SA8 to SA11
SGA4	0	0	1	1	X	X	X	X	X	SA12 to SA15
SGA5	0	1	0	0	X	X	X	X	X	SA16 to SA19
SGA6	0	1	0	1	X	X	X	X	X	SA20 to SA23
SGA7	0	1	1	0	X	X	X	X	X	SA24 to SA27
SGA8	0	1	1	1	X	X	X	X	X	SA28 to SA31
SGA9	1	0	0	0	X	X	X	X	X	SA32 to SA35
SGA10	1	0	0	1	X	X	X	X	X	SA36 to SA39
SGA11	1	0	1	0	X	X	X	X	X	SA40 to SA43
SGA12	1	0	1	1	X	X	X	X	X	SA44 to SA47
SGA13	1	1	0	0	X	X	X	X	X	SA48 to SA51
SGA14	1	1	0	1	X	X	X	X	X	SA52 to SA55
SGA15	1	1	1	0	X	X	X	X	X	SA56 to SA59
SGA16	1	1	1	1	0	0	X	X	X	SA60 to SA62
					0	1				
					1	0				
SGA17	1	1	1	1	1	1	0	0	0	SA63
SGA18	1	1	1	1	1	1	0	0	1	SA64
SGA19	1	1	1	1	1	1	0	1	0	SA65
SGA20	1	1	1	1	1	1	0	1	1	SA66
SGA21	1	1	1	1	1	1	1	0	0	SA67
SGA22	1	1	1	1	1	1	1	0	1	SA68
SGA23	1	1	1	1	1	1	1	1	0	SA69
SGA24	1	1	1	1	1	1	1	1	1	SA70

# MB84VD22386/387/388EJ-85/90/MB84VD22396/397/398EJ-85/90

## Sector Group Addresses (MB84VD22396EJ/VD22397EJ/VD22398EJ) (Bottom Boot Block)

Sector Group	A <sub>20</sub>	A <sub>19</sub>	A <sub>18</sub>	A <sub>17</sub>	A <sub>16</sub>	A <sub>15</sub>	A <sub>14</sub>	A <sub>13</sub>	A <sub>12</sub>	Sectors
SGA0	0	0	0	0	0	0	0	0	0	SA0
SGA1	0	0	0	0	0	0	0	0	1	SA1
SGA2	0	0	0	0	0	0	0	1	0	SA2
SGA3	0	0	0	0	0	0	0	1	1	SA3
SGA4	0	0	0	0	0	0	1	0	0	SA4
SGA5	0	0	0	0	0	0	1	0	1	SA5
SGA6	0	0	0	0	0	0	1	1	0	SA6
SGA7	0	0	0	0	0	0	1	1	1	SA7
SGA8	0	0	0	0	0	1	X	X	X	SA8 to SA10
					1	0				
					1	1				
SGA9	0	0	0	1	X	X	X	X	X	SA11 to SA14
SGA10	0	0	1	0	X	X	X	X	X	SA15 to SA18
SGA11	0	0	1	1	X	X	X	X	X	SA19 to SA22
SGA12	0	1	0	0	X	X	X	X	X	SA23 to SA26
SGA13	0	1	0	1	X	X	X	X	X	SA27 to SA30
SGA14	0	1	1	0	X	X	X	X	X	SA31 to SA34
SGA15	0	1	1	1	X	X	X	X	X	SA35 to SA38
SGA16	1	0	0	0	X	X	X	X	X	SA39 to SA42
SGA17	1	0	0	1	X	X	X	X	X	SA43 to SA46
SGA18	1	0	1	0	X	X	X	X	X	SA47 to SA50
SGA19	1	0	1	1	X	X	X	X	X	SA51 to SA54
SGA20	1	1	0	0	X	X	X	X	X	SA55 to SA58
SGA21	1	1	0	1	X	X	X	X	X	SA59 to SA62
SGA22	1	1	1	0	X	X	X	X	X	SA63 to SA66
SGA23	1	1	1	1	0	0	X	X	X	SA67 to SA69
					0	1				
					1	0				
SGA24	1	1	1	1	1	1	X	X	X	SA70

# MB84VD22386/387/388EJ-85/90/MB84VD22396/397/398EJ-85/90

## Flash Memory Autoselect Codes

Type		A <sub>19</sub> to A <sub>12</sub>	A <sub>6</sub>	A <sub>1</sub>	A <sub>0</sub>	Code (HEX)
Manufacturer's Code		BA	V <sub>IL</sub>	V <sub>IL</sub>	V <sub>IL</sub>	04h
Device Code	MB84VD22386EJ	BA	V <sub>IL</sub>	V <sub>IL</sub>	V <sub>IH</sub>	2255h
	MB84VD22396EJ	BA	V <sub>IL</sub>	V <sub>IL</sub>	V <sub>IH</sub>	2256h
	MB84VD22387EJ	BA	V <sub>IL</sub>	V <sub>IL</sub>	V <sub>IH</sub>	2250h
	MB84VD22397EJ	BA	V <sub>IL</sub>	V <sub>IL</sub>	V <sub>IH</sub>	2253h
	MB84VD22388EJ	BA	V <sub>IL</sub>	V <sub>IL</sub>	V <sub>IH</sub>	225Ch
	MB84VD22398EJ	BA	V <sub>IL</sub>	V <sub>IL</sub>	V <sub>IH</sub>	225Fh
Sector Group protect		Sector Group Address	V <sub>IL</sub>	V <sub>IH</sub>	V <sub>IL</sub>	01h *

\*: Output 01h at protected sector address and output 00h at unprotected sector address.



## Flash Memory Command Definitions

Command Sequence	Bus Write Cycles Req'd	First Bus Write Cycle		Second Bus Write Cycle		Third Bus Write Cycle		Fourth Bus Read/Write Cycle		Fifth Bus Write Cycle		Sixth Bus Write Cycle	
		Addr.	Data	Addr.	Data	Addr.	Data	Addr.	Data	Addr.	Data	Addr.	Data
Read/Reset *1	1	XXXh	F0h	—	—	—	—	—	—	—	—	—	—
Read/Reset *1	3	555h	AAh	2AAh	55h	555h	F0h	RA	RD	—	—	—	—
Autoselect	3	555h	AAh	2AAh	55h	(BA) 555h	90h	—	—	—	—	—	—
Program	4	555h	AAh	2AAh	55h	555h	A0h	PA	PD	—	—	—	—
Chip Erase	6	555h	AAh	2AAh	55h	555h	80h	555h	AAh	2AAh	55h	555h	10h
Sector Erase	6	555h	AAh	2AAh	55h	555h	80h	555h	AAh	2AAh	55h	SA	30h
Sector Erase Suspend	1	BA	B0h	—	—	—	—	—	—	—	—	—	—
Sector Erase Resume	1	BA	30h	—	—	—	—	—	—	—	—	—	—
Program Suspend	1	BA	B0h	—	—	—	—	—	—	—	—	—	—
Program Resume	1	BA	30h	—	—	—	—	—	—	—	—	—	—
Set to Fast Mode	3	555h	AAh	2AAh	55h	555h	20h	—	—	—	—	—	—
Fast Program *2	2	XXXh	A0h	PA	PD	—	—	—	—	—	—	—	—
Reset from Fast Mode *2	2	BA	90h	XXXh	F0h*6	—	—	—	—	—	—	—	—
Extended Sector Group Protection *3	4	XXXh	60h	SPA	60h	SPA	40h	SPA	SD	—	—	—	—
Query *4	1	55h	98h	—	—	—	—	—	—	—	—	—	—
Hi-ROM Entry	3	555h	AAh	2AAh	55h	555h	88h	—	—	—	—	—	—
Hi-ROM Program *5	4	555h	AAh	2AAh	55h	555h	A0h	PA	PD	—	—	—	—
Hi-ROM Erase *5	6	555h	AAh	2AAh	55h	555h	80h	555h	AAh	2AAh	55h	HRA	30h
Hi-ROM Exit *5	4	555h	AAh	2AAh	55h	(HRBA) 555h	90h	XXXh	00h	—	—	—	—

\*1: Both Read/Reset commands are functionally equivalent, resetting the device to the read mode.

\*2: This command is valid during Fast Mode.

\*3: This command is valid while  $\overline{\text{RESET}} = \text{V}_{\text{ID}}$ .

\*4: The valid Address is A<sub>6</sub> to A<sub>0</sub>.

\*5: This command is valid during Hi-ROM mode.

\*6: The data "00h" is also acceptable.

Notes: Address bits A<sub>20</sub> to A<sub>11</sub> = X = "H" or "L" for all address commands except for Program Address (PA), Sector Address (SA), and Bank Address (BA).

Bus operations are defined in "■ DEVICE BUS OPERATION".

RA = Address of the memory location to be read.

PA = Address of the memory location to be programmed.

Addresses are latched on the falling edge of the write pulse.

SA = Address of the sector to be erased. The combination of A<sub>20</sub>, A<sub>19</sub>, A<sub>18</sub>, A<sub>17</sub>, A<sub>16</sub>, A<sub>15</sub>, A<sub>14</sub>, A<sub>13</sub>, and A<sub>12</sub> will uniquely select any sector.

BA = Bank address (A<sub>20</sub> to A<sub>15</sub>)

SPA = Sector group address to be protected. Set sector group address (SPA) and (A<sub>6</sub>, A<sub>1</sub>, A<sub>0</sub>) = (0, 1, 0).

HRA= Address of the Hidden-ROM area.

MB84VD22386EJ/VD22387EJ/VD22388EJ (Top Boot Type)

Word mode: 1F8000h to 1FFFFFFh

Byte mode: 3F0000h to 3FFFFFFh

MB84VD22396EJ/VD22397EJ/VD22398EJ (Bottom Boot Type)

Word mode: 000000h to 007FFFh

Byte mode: 000000h to 00FFFFh

HRBA = Bank address of the Hidden-ROM area

MB84VD22386EJ/VD22387EJ/VD22388EJ (Top Boot Type)

A<sub>20</sub> = A<sub>19</sub> = A<sub>18</sub> = A<sub>17</sub> = A<sub>16</sub> = A<sub>15</sub> = 1

MB84VD22396EJ/VD22397EJ/VD22398EJ (Bottom Boot Type)

A<sub>20</sub> = A<sub>19</sub> = A<sub>18</sub> = A<sub>17</sub> = A<sub>16</sub> = A<sub>15</sub> = 0

RD = Data read from location RA during read operation.

PD = Data to be programmed at location PA.

SD = Sector protection verify data. Output 01h at protected sector addresses and output 00h at unprotected sector addresses.

The system should generate the following address patterns: 555h or 2AAh to addresses A<sub>10</sub> to A<sub>0</sub>

## ■ ABSOLUTE MAXIMUM RATINGS

Parameter	Symbol	Rating		Unit
		Min	Max	
Storage Temperature	T <sub>stg</sub>	-55	+125	°C
Ambient Temperature with Power Applied	T <sub>A</sub>	-30	+85	°C
Voltage with Respect to Ground All pins *1	V <sub>IN</sub> , V <sub>OUT</sub>	-0.3	V <sub>ccf</sub> +0.3	V
			V <sub>ccs</sub> +0.3	V
V <sub>ccf</sub> Supply *1	V <sub>ccf</sub>	-0.2	+3.6	V
V <sub>ccs</sub> Supply *1	V <sub>ccs</sub>	-0.2	+3.3	V
$\overline{\text{RESET}}$ *2	V <sub>IN</sub>	-0.5	+13.0	V
$\overline{\text{WP/ACC}}$ *3	V <sub>IN</sub>	-0.5	+10.5	V

\*1: Minimum DC voltage on input or I/O pins is -0.3 V. During voltage transitions, input or I/O pins may undershoot V<sub>SS</sub> to -1.0 V for periods of up to 20 ns. Maximum DC voltage on input or I/O pins is V<sub>ccf</sub> + 0.3 V or V<sub>ccs</sub> + 0.3 V. During voltage transitions, input or I/O pins may overshoot to V<sub>ccf</sub> + 1.0 V or V<sub>ccs</sub> + 1.0 V for periods of up to 5 ns.

\*2: Minimum DC input voltage on  $\overline{\text{RESET}}$  pin is -0.5 V. During voltage transitions,  $\overline{\text{RESET}}$  pin may undershoot V<sub>SS</sub> to -2.0 V for periods of up to 20 ns.  
Voltage difference between input and supply voltage (V<sub>IN</sub>-V<sub>ccf</sub> or V<sub>ccs</sub>) does not exceed 9.0 V.  
Maximum DC input voltage on  $\overline{\text{RESET}}$  pin is +13.0 V which may overshoot to +14.0 V for periods of up to 20 ns.

\*3: Minimum DC input voltage on  $\overline{\text{WP/ACC}}$  pin is -0.5 V. During voltage transitions,  $\overline{\text{WP/ACC}}$  pin may undershoot V<sub>SS</sub> to -2.0 V for periods of up to 20 ns. Maximum DC input voltage on  $\overline{\text{WP/ACC}}$  pin is +10.5 V which may overshoot to +10.5 V for periods of up to 20 ns, when V<sub>ccf</sub> is applied.

WARNING: Semiconductor devices can be permanently damaged by application of stress (voltage, current, temperature, etc.) in excess of absolute maximum ratings. Do not exceed these ratings.

## ■ RECOMMENDED OPERATING CONDITIONS

Parameter	Symbol	Value		Unit
		Min	Max	
Ambient Temperature	T <sub>A</sub>	-30	+85	°C
V <sub>ccf</sub> Supply Voltage	V <sub>ccf</sub>	+2.7	+3.3	V
V <sub>ccs</sub> Supply Voltage	V <sub>ccs</sub>	+2.7	+3.1	V

Note: Operating ranges define those limits between which the functionality of the device is guaranteed.

WARNING: The recommended operating conditions are required in order to ensure the normal operation of the semiconductor device. All of the device's electrical characteristics are warranted when the device is operated within these ranges.

Always use semiconductor devices within their recommended operating condition ranges. Operation outside these ranges may adversely affect reliability and could result in device failure.

No warranty is made with respect to uses, operating conditions, or combinations not represented on the data sheet. Users considering application outside the listed conditions are advised to contact their FUJITSU representatives beforehand.

■ DC CHARACTERISTICS

Parameter	Symbol	Conditions	Value			Unit	
			Min	Typ	Max		
Input Leakage Current	I <sub>LI</sub>	V <sub>IN</sub> = V <sub>SS</sub> to V <sub>CC</sub>	-1.0	—	+1.0	μA	
Output Leakage Current	I <sub>LO</sub>	V <sub>OUT</sub> = V <sub>SS</sub> to V <sub>CC</sub>	-1.0	—	+1.0	μA	
RESET Inputs Leakage Current	I <sub>LIT</sub>	V <sub>CC</sub> = V <sub>CC</sub> Max, RESET = 12.5 V	—	—	35	μA	
ACC Input Leakage Current	I <sub>LIA</sub>	V <sub>CC</sub> = V <sub>CC</sub> Max, WP/ACC = V <sub>ACC</sub> Max	—	—	20	mA	
Flash V <sub>CC</sub> Active Current (Read) *1	I <sub>CC1f</sub>	CEf = V <sub>IL</sub> , OE = V <sub>IH</sub>	t <sub>CYCLE</sub> = 5 MHz	—	—	18	mA
			t <sub>CYCLE</sub> = 1 MHz	—	—	7	mA
Flash V <sub>CC</sub> Active Current (Program/Erase) *2	I <sub>CC2f</sub>	CEf = V <sub>IL</sub> , OE = V <sub>IH</sub>	—	—	35	mA	
Flash V <sub>CC</sub> Active Current (Read-While-Program) *5	I <sub>CC3f</sub>	CEf = V <sub>IL</sub> , OE = V <sub>IH</sub>	—	—	53	mA	
Flash V <sub>CC</sub> Active Current (Read-While-Erase) *5	I <sub>CC4f</sub>	CEf = V <sub>IL</sub> , OE = V <sub>IH</sub>	—	—	53	mA	
Flash V <sub>CC</sub> Active Current (Erase-Suspend-Program)	I <sub>CC5f</sub>	CEf = V <sub>IL</sub> , OE = V <sub>IH</sub>	—	—	35	mA	
FCRAM V <sub>CC</sub> Active Current	I <sub>CC1S</sub>	V <sub>CCS</sub> = V <sub>CCS</sub> Max, CE1s = V <sub>IL</sub> , CE2s = V <sub>IH</sub> , V <sub>IN</sub> = V <sub>IH</sub> or V <sub>IL</sub> , I <sub>OUT</sub> = 0 mA	t <sub>RC</sub> / t <sub>WC</sub> = Min	—	15	20	mA
			t <sub>RC</sub> / t <sub>WC</sub> = Max	—	2.5	3.0	
Flash V <sub>CC</sub> Standby Current	I <sub>SB1f</sub>	V <sub>CCf</sub> = V <sub>CCf</sub> Max, CEf = V <sub>CCf</sub> ± 0.3 V RESET = V <sub>CCf</sub> ± 0.3 V, WP/ACC = V <sub>CCf</sub> ± 0.3 V	—	1	5	μA	
Flash V <sub>CC</sub> Standby Current (RESET)	I <sub>SB2f</sub>	V <sub>CCf</sub> = V <sub>CCf</sub> Max, RESET = V <sub>SS</sub> ± 0.3 V, WP/ACC = V <sub>CCf</sub> ± 0.3 V	—	1	5	μA	
Flash V <sub>CC</sub> Current (Automatic Sleep Mode) *3	I <sub>SB3f</sub>	V <sub>CCf</sub> = V <sub>CCf</sub> Max, CEf = V <sub>SS</sub> ± 0.3 V RESET = V <sub>CCf</sub> ± 0.3 V, WP/ACC = V <sub>CCf</sub> ± 0.3 V V <sub>IN</sub> = V <sub>CCf</sub> ± 0.3 V or V <sub>SS</sub> ± 0.3 V	—	1	5	μA	
FCRAM V <sub>CC</sub> Standby Current	I <sub>SBs</sub>	V <sub>CCS</sub> = V <sub>CCS</sub> Max, CE1s = CE2s = V <sub>IH</sub> , V <sub>IN</sub> = V <sub>IH</sub> or V <sub>IL</sub> , I <sub>OUT</sub> = 0 mA	—	0.5	1	mA	
FCRAM V <sub>CC</sub> Standby Current	I <sub>SB1S</sub>	V <sub>CCS</sub> = V <sub>CCS</sub> Max, CE1s ≥ V <sub>CCS</sub> - 0.2 V, CE2s ≥ V <sub>CCS</sub> - 0.2 V, V <sub>IN</sub> ≤ 0.2 V or V <sub>CCS</sub> - 0.2 V, I <sub>OUT</sub> = 0 mA	—	—	70	μA	
FCRAM V <sub>CC</sub> Standby Current	I <sub>SB2S</sub>	V <sub>CCS</sub> = V <sub>CCS</sub> Max, CE1s ≥ V <sub>CCS</sub> - 0.2 V, CE2s ≥ V <sub>CCS</sub> - 0.2 V, V <sub>IN</sub> Cycle time = t <sub>RC</sub> Min, I <sub>OUT</sub> = 0 mA	—	—	5 *6	mA	
FCRAM V <sub>CC</sub> Power Down Current	I <sub>PDS</sub>	V <sub>CCS</sub> = V <sub>CCS</sub> Max, V <sub>IN</sub> ≥ V <sub>CCf</sub> - 0.2 V or V <sub>IN</sub> ≤ 0.2 V CE2s ≤ 0.2 V, I <sub>OUT</sub> = 0 mA	—	—	10	μA	

(Continued)

(Continued)

Parameter	Symbol	Conditions	Value			Unit
			Min	Typ	Max	
Input Low Level	V <sub>IL</sub>	—	-0.3	—	0.4	V
Input High Level	V <sub>IH</sub>	—	2.3	—	V <sub>CC</sub> +0.3	V
Voltage for Autoselect and Sector Protection (RESET) *4	V <sub>ID</sub>	—	11.5	—	12.5	V
Voltage for $\overline{WP}$ /ACC Sector Protection/Unprotection and Program Acceleration	V <sub>ACC</sub>	—	8.5	9.0	9.5	V
FCRAM Output Low Level	V <sub>OL</sub>	V <sub>CCS</sub> = V <sub>CCS</sub> Min, I <sub>OL</sub> = 1.0 mA	—	—	0.4	V
FCRAM Output High Level	V <sub>OH</sub>	V <sub>CCS</sub> = V <sub>CCS</sub> Min, I <sub>OH</sub> = -0.5 mA	2.1	—	—	V
Flash Output Low Level	V <sub>OL</sub>	V <sub>CCF</sub> = V <sub>CCF</sub> Min, I <sub>OL</sub> = 4.0 mA	—	—	0.45	V
Flash Output High Level	V <sub>OH</sub>	V <sub>CCF</sub> = V <sub>CCF</sub> Min, I <sub>OH</sub> = -0.1 mA	V <sub>CCF</sub> -0.4	—	—	V
Low V <sub>CC</sub> Lock-Out Voltage	V <sub>LKO</sub>	—	2.3	—	2.5	V

\*1: The I<sub>CC</sub> current listed includes both the DC operating current and the frequency dependent component.

\*2: I<sub>CC</sub> active while Embedded Algorithm (program or erase) is in progress.

\*3: Automatic sleep mode enables the low power mode when address remains stable for 150 ns.

\*4: Applicable for only V<sub>CC</sub> applying.

\*5: Embedded Algorithm (program or erase) is in progress. (@5MHz)

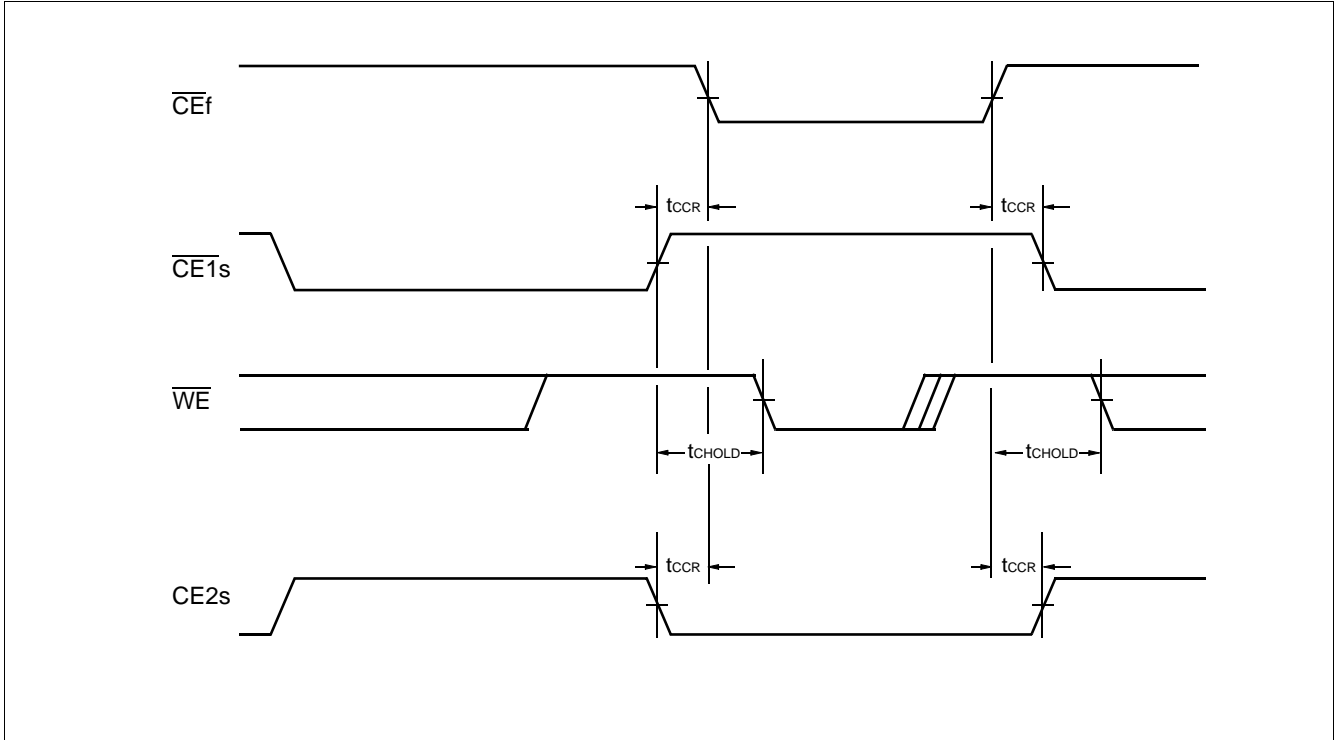
\*6: I<sub>SB2S</sub> depends on V<sub>IN</sub> cycle time. Refer to "■ APPENDIX".

■ AC CHARACTERISTICS

●  $\overline{CE}$  Timing

Parameter	Symbol		Condition	Value		Unit
	JEDEC	Standard		Min	Max	
$\overline{CE}$ Recover Time	—	$t_{CCR}$	—	0	—	ns
$\overline{CE}$ Hold Time	—	$t_{CHOLD}$	—	3	—	ns

● Timing Diagram for alternating FCRAM to Flash

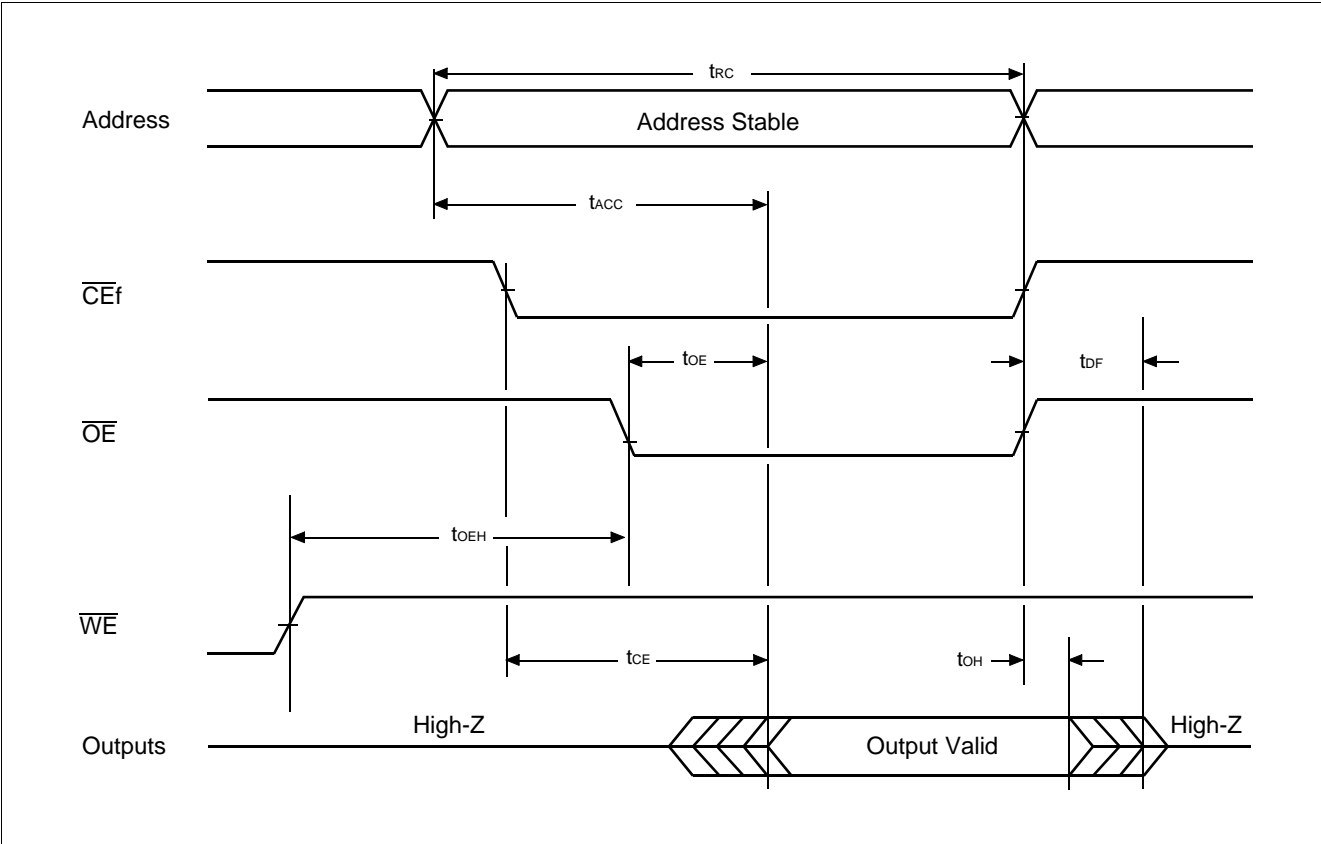


• Read Only Operations Characteristics (Flash)

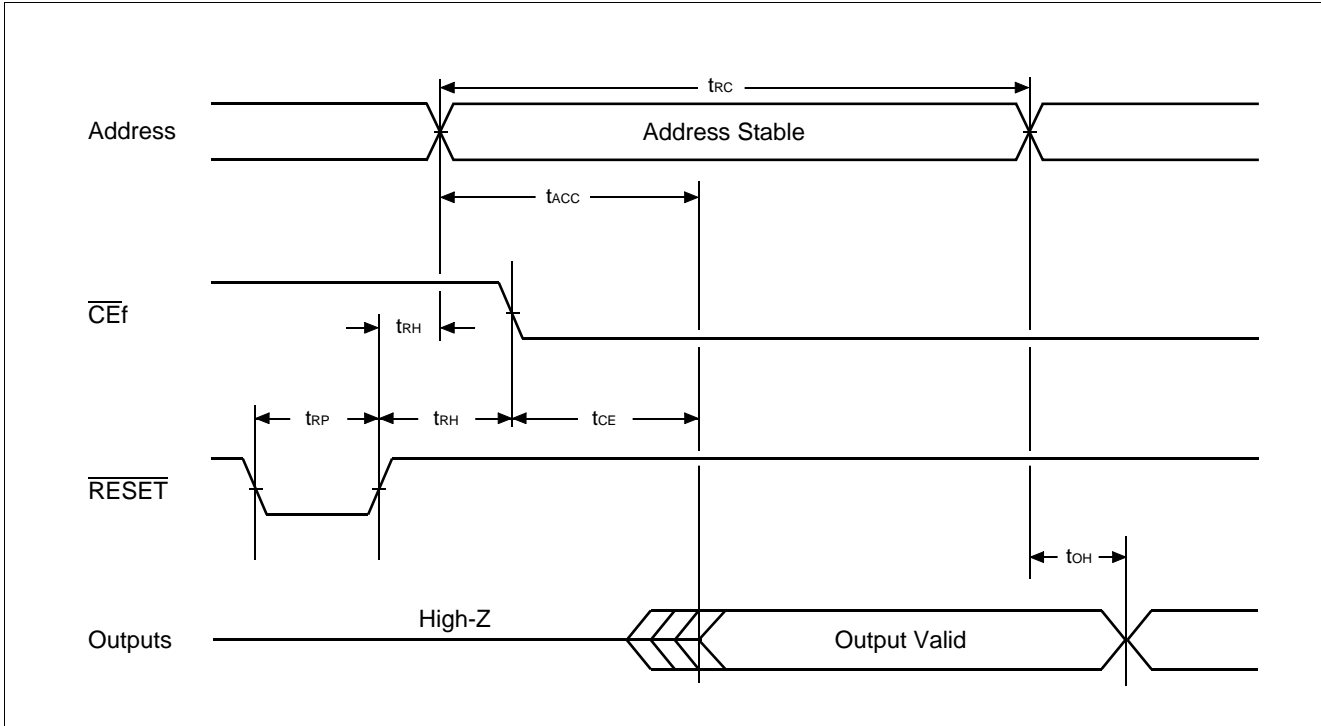
Parameter	Symbol		Conditions	Value		Unit
	JEDEC	Standard		Min	Max	
Read Cycle Time	t <sub>AVAV</sub>	t <sub>RC</sub>	—	85	—	ns
Address to Output Delay	t <sub>AVQV</sub>	t <sub>ACC</sub>	$\overline{CE}f = V_{IL}$ $\overline{OE} = V_{IL}$	—	85	ns
Chip Enable to Output Delay	t <sub>ELQV</sub>	t <sub>CE</sub>	$\overline{OE} = V_{IL}$	—	85	ns
Output Enable to Output Delay	t <sub>GLQV</sub>	t <sub>OE</sub>	—	—	35	ns
Chip Enable to Output High-Z	t <sub>EHQZ</sub>	t <sub>DF</sub>	—	—	30	ns
Output Enable to Output High-Z	t <sub>GHQZ</sub>	t <sub>DF</sub>	—	—	30	ns
Output Hold Time From Addresses, $\overline{CE}f$ or $\overline{OE}$ , Whichever Occurs First	t <sub>AXQX</sub>	t <sub>OH</sub>	—	0	—	ns
$\overline{RESET}$ Pin Low to Read Mode	—	t <sub>READY</sub>	—	—	20	μs

Note: Test Conditions– Output Load: 1 TTL gate and 30 pF  
 Input rise and fall times: 5 ns  
 Input pulse levels: 0.0 V or V<sub>CC</sub>  
 Timing measurement reference level  
 Input: 0.5×V<sub>CC</sub>  
 Output: 0.5×V<sub>CC</sub>

• Read Cycle (Flash)



• Hardware Reset/Read Operation Timing Diagram (Flash)





• Erase/Program Operations Characteristics (Flash)

Parameter	Symbol		Value			Unit
	JEDEC	Standard	Min	Typ	Max	
Write Cycle Time	t <sub>AVAV</sub>	t <sub>WC</sub>	85	—	—	ns
Address Setup Time ( $\overline{WE}$ to Addr.)	t <sub>AVWL</sub>	t <sub>AS</sub>	0	—	—	ns
Address Setup Time to $\overline{CEf}$ Low During Toggle Bit Polling	—	t <sub>ASO</sub>	15	—	—	ns
Address Hold Time ( $\overline{WE}$ to Addr.)	t <sub>WLAX</sub>	t <sub>AH</sub>	45	—	—	ns
Address Hold Time from $\overline{CEf}$ or $\overline{OE}$ High During Toggle Bit Polling	—	t <sub>AHT</sub>	0	—	—	ns
Data Setup Time	t <sub>DVWH</sub>	t <sub>DS</sub>	35	—	—	ns
Data Hold Time	t <sub>WHDX</sub>	t <sub>DH</sub>	0	—	—	ns
Output Enable Setup Time	—	t <sub>OES</sub>	0	—	—	ns
Output Enable Hold Time	Read	t <sub>OEH</sub>	0	—	—	ns
	Toggle and Data Polling		10	—	—	ns
$\overline{CEf}$ High During Toggle Bit Polling	—	t <sub>CEPH</sub>	20	—	—	ns
$\overline{OE}$ High During Toggle Bit Polling	—	t <sub>OEPH</sub>	20	—	—	ns
Read Recover Time Before Write ( $\overline{OE}$ to $\overline{CEf}$ )	t <sub>GH<math>\overline{E}</math>L</sub>	t <sub>GH<math>\overline{E}</math>L</sub>	0	—	—	ns
Read Recover Time Before Write ( $\overline{OE}$ to $\overline{WE}$ )	t <sub>GH<math>\overline{W}</math>L</sub>	t <sub>GH<math>\overline{W}</math>L</sub>	0	—	—	ns
$\overline{WE}$ Setup Time ( $\overline{CEf}$ to $\overline{WE}$ )	t <sub>WLEL</sub>	t <sub>WS</sub>	0	—	—	ns
$\overline{CEf}$ Setup Time ( $\overline{WE}$ to $\overline{CEf}$ )	t <sub>ELWL</sub>	t <sub>CS</sub>	0	—	—	ns
$\overline{WE}$ Hold Time ( $\overline{CEf}$ to $\overline{WE}$ )	t <sub>EH<math>\overline{W}</math>H</sub>	t <sub>WH</sub>	0	—	—	ns
$\overline{CEf}$ Hold Time ( $\overline{WE}$ to $\overline{CEf}$ )	t <sub>WHEH</sub>	t <sub>CH</sub>	0	—	—	ns
Write Pulse Width	t <sub>WL<math>\overline{W}</math>H</sub>	t <sub>WP</sub>	35	—	—	ns
$\overline{CEf}$ Pulse Width	t <sub>EL<math>\overline{E}</math>H</sub>	t <sub>CP</sub>	35	—	—	ns
Write Pulse Width High	t <sub>WH<math>\overline{W}</math>L</sub>	t <sub>WPH</sub>	30	—	—	ns
$\overline{CEf}$ Pulse Width High	t <sub>EH<math>\overline{E}</math>L</sub>	t <sub>CPH</sub>	30	—	—	ns
Word Programming Operation	t <sub>WH<math>\overline{W}</math>H1</sub>	t <sub>WH<math>\overline{W}</math>H1</sub>	—	16	—	μs
Sector Erase Operation *1	t <sub>WH<math>\overline{W}</math>H2</sub>	t <sub>WH<math>\overline{W}</math>H2</sub>	—	1	—	s

(Continued)

(Continued)

Parameter	Symbol		Value			Unit
	JEDEC	Standard	Min	Typ	Max	
V <sub>ccf</sub> Setup Time	—	t <sub>VCS</sub>	50	—	—	μs
Voltage Transition Time *2	—	t <sub>VLHT</sub>	4	—	—	μs
Rise Time to V <sub>ID</sub> *2	—	t <sub>VIDR</sub>	500	—	—	ns
Rise Time to V <sub>ACC</sub>	—	t <sub>VACCR</sub>	500	—	—	ns
Recover Time from RY/ $\overline{\text{BY}}$	—	t <sub>RB</sub>	0	—	—	ns
$\overline{\text{RESET}}$ Pulse Width	—	t <sub>RP</sub>	500	—	—	ns
Delay Time from Embedded Output Enable	—	t <sub>EOE</sub>	—	—	85	ns
$\overline{\text{RESET}}$ Hold Time Before Read	—	t <sub>RH</sub>	200	—	—	ns
Program/Erase Valid to RY/ $\overline{\text{BY}}$ Delay	—	t <sub>BUSY</sub>	—	—	90	ns
Erase Time-out Time *3	—	t <sub>TOW</sub>	50	—	—	μs
Erase Suspend Transition Time *4	—	t <sub>SPD</sub>	—	—	20	μs

\*1: This does not include the preprogramming time.

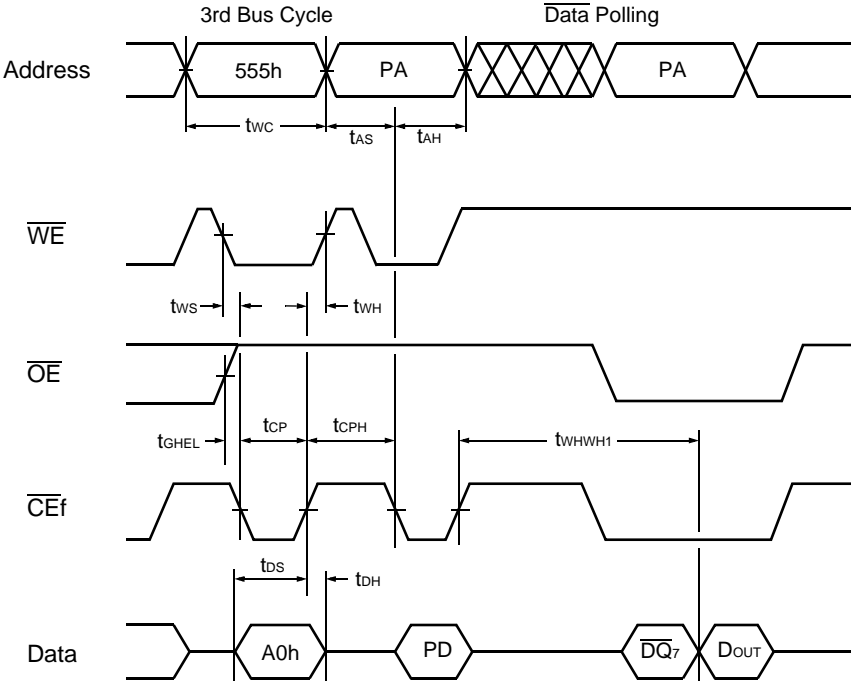
\*2: This timing is for Sector Protection Operation.

\*3: The time between writes must be less than “t<sub>TOW</sub>” otherwise that command will not be accepted and erasure will start. A time-out or “t<sub>TOW</sub>” from the rising edge of last  $\overline{\text{CEf}}$  or  $\overline{\text{WE}}$  whichever happens first will initiate the execution of the Sector Erase command(s).

\*4: When the Erase Suspend command is written during the Sector Erase operation, the device will take a maximum of “t<sub>SPD</sub>” to suspend the erase operation.

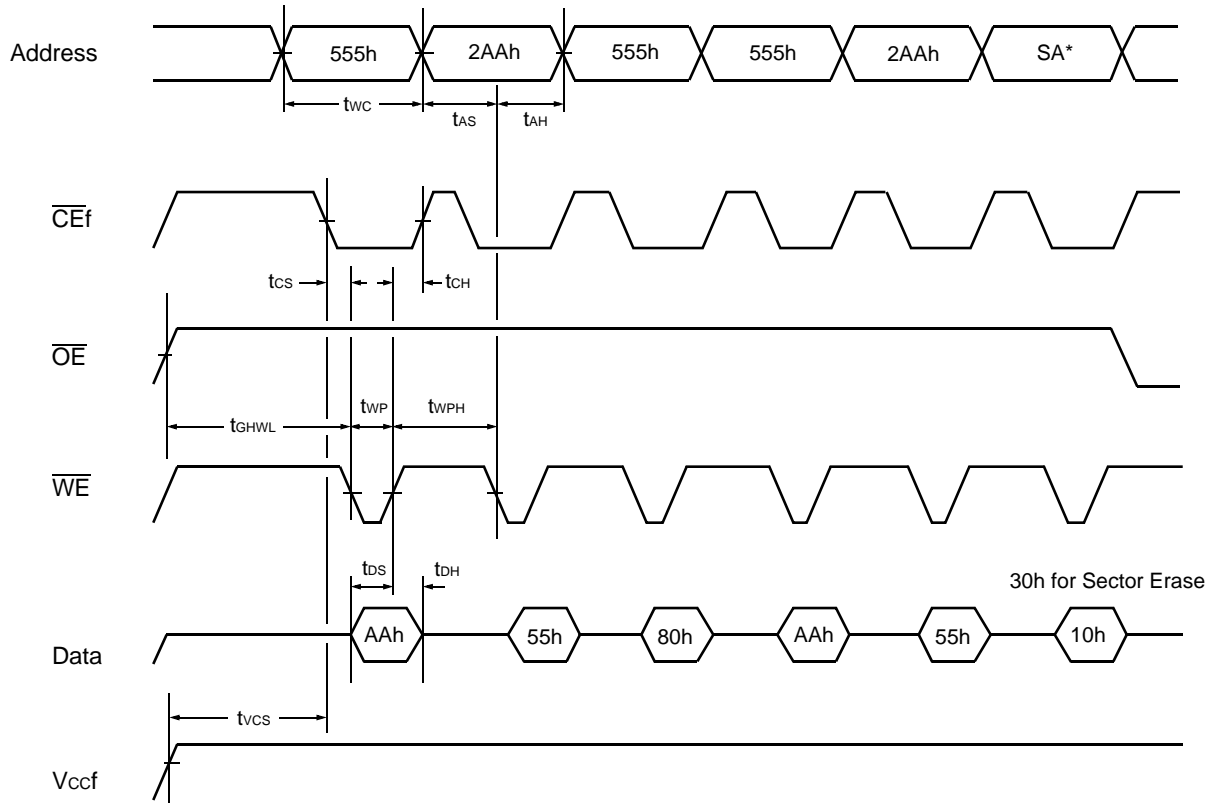


• Write Cycle ( $\overline{CEf}$  control) (Flash)



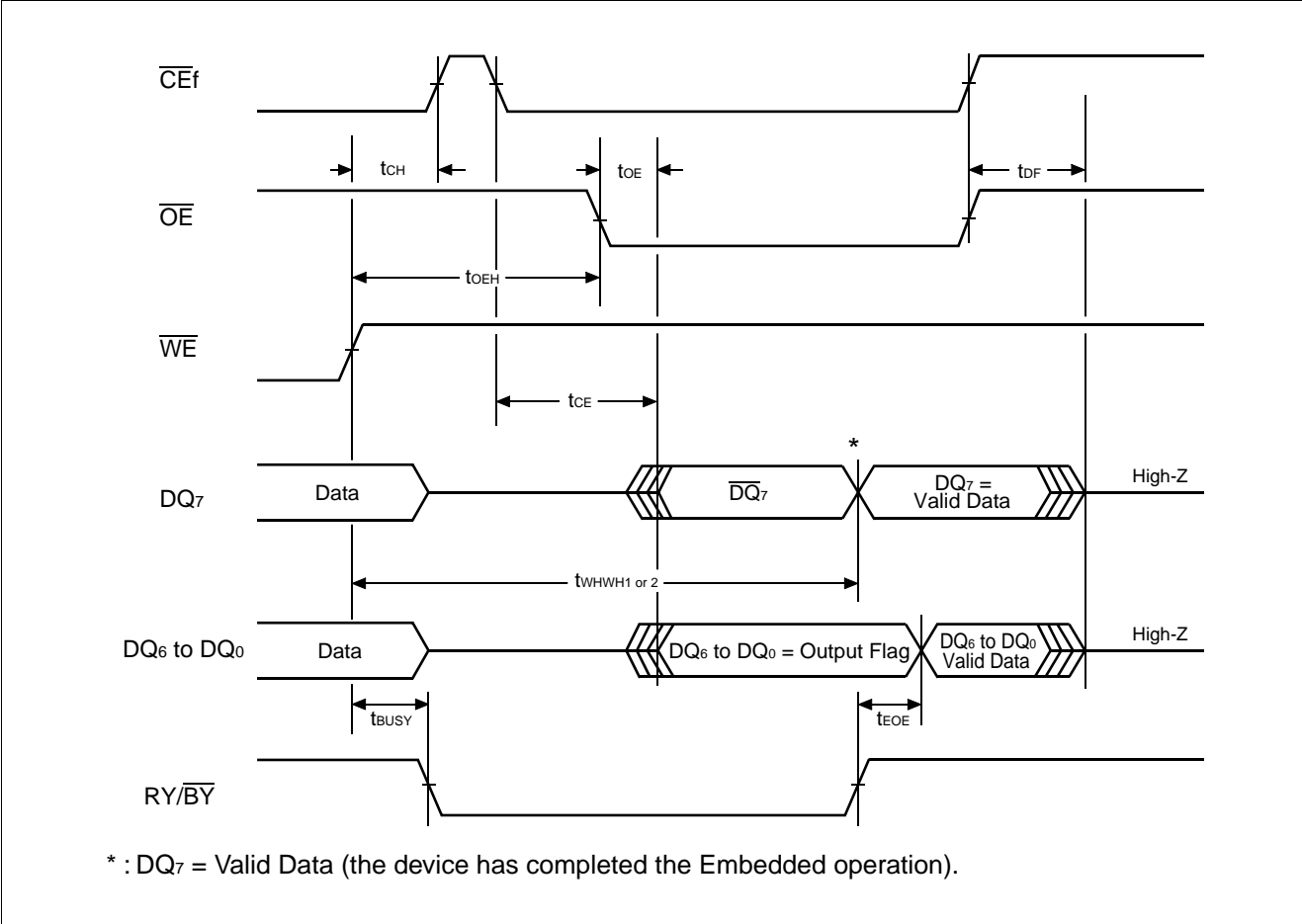
- Notes:
- PA is an address of the memory location to be programmed.
  - PD is data to be programmed at the word address.
  - $\overline{DQ_7}$  is the output of the data complement written to the device.
  - D<sub>OUT</sub> is the data output written to the device.
  - Figure indicates the last two out of four bus cycle sequence.

• AC Waveforms Chip/Sector Erase Operations (Flash)

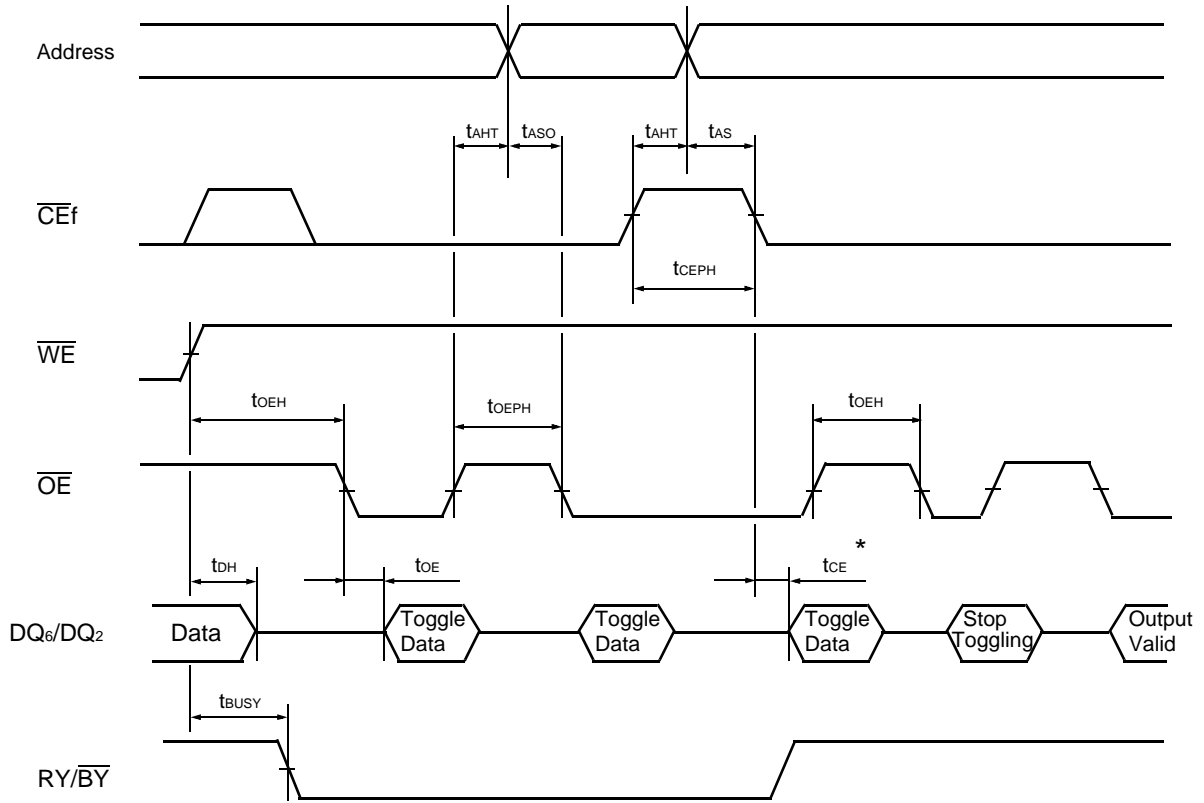


\*: SA is the sector address for Sector Erase. Addresses = 555h for Chip Erase.

• AC Waveforms for  $\overline{\text{Data}}$  Polling during Embedded Algorithm Operations (Flash)

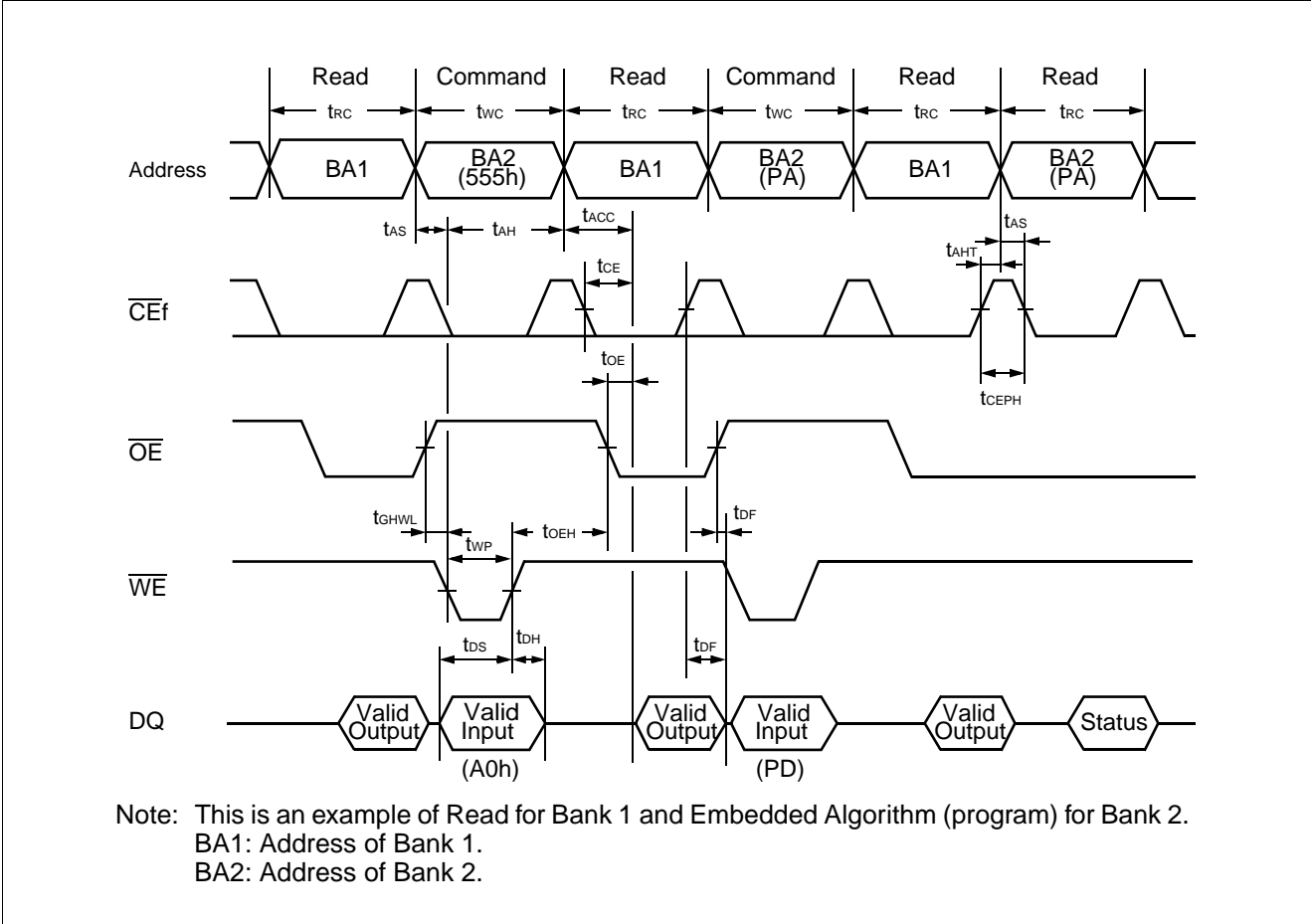


• AC Waveforms for Toggle Bit during Embedded Algorithm Operations (Flash)



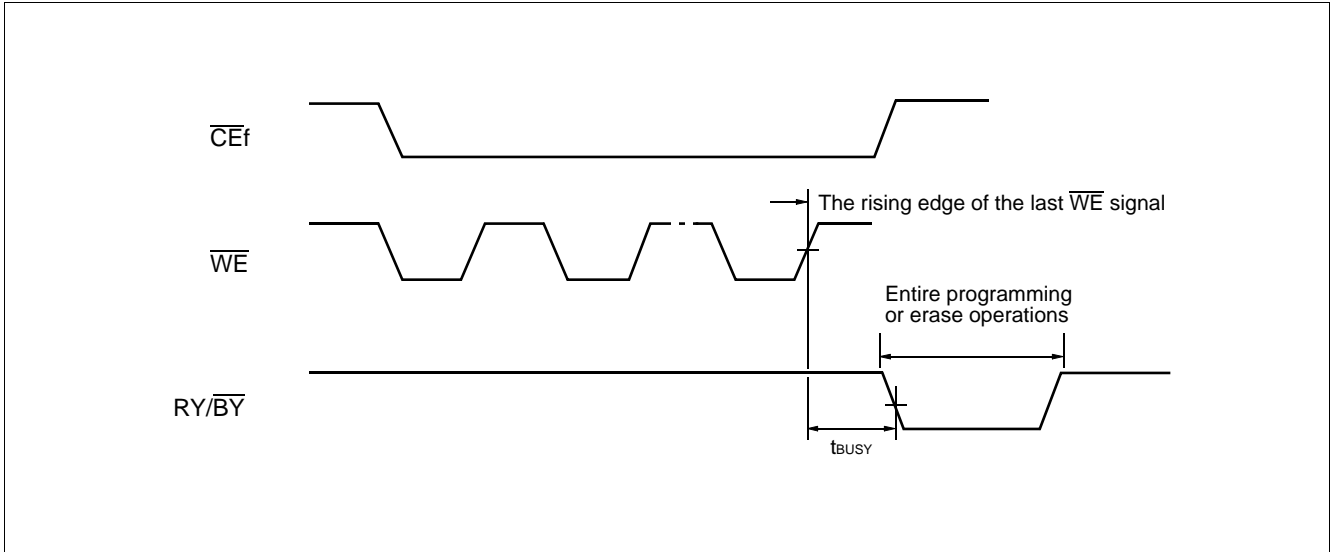
\* :  $DQ_6$  stops toggling (the device has completed the Embedded operation).

• Back-to-back Read/Write Timing Diagram (Flash)

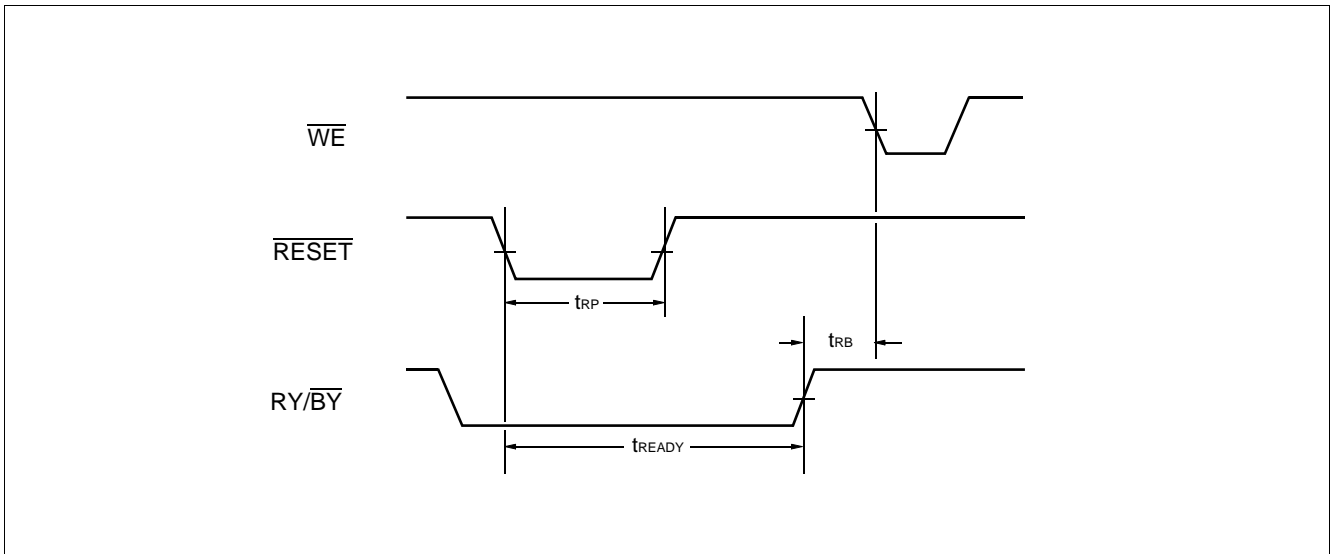




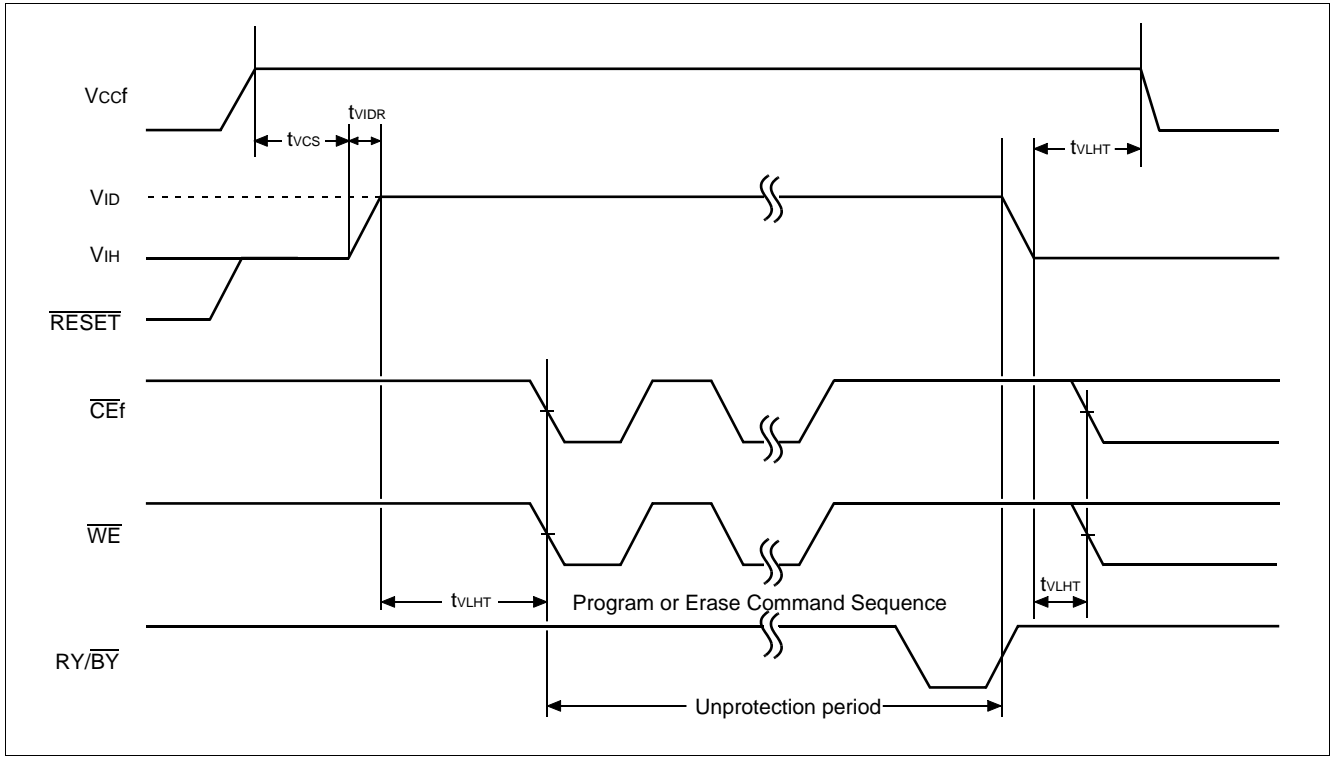
• RY/ $\overline{\text{BY}}$  Timing Diagram during Write/Erase Operations (Flash)



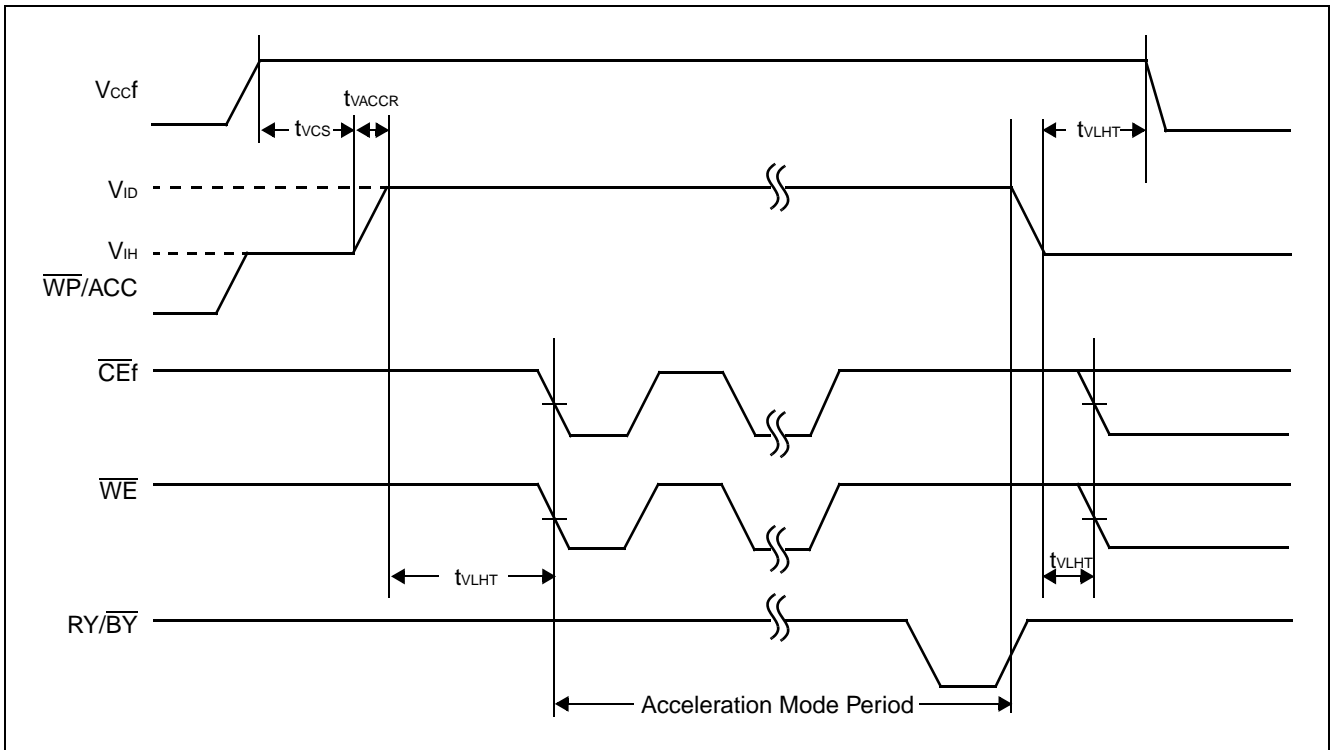
• RY/ $\overline{\text{BY}}$  Timing Diagram during Write/Erase Operations (Flash)



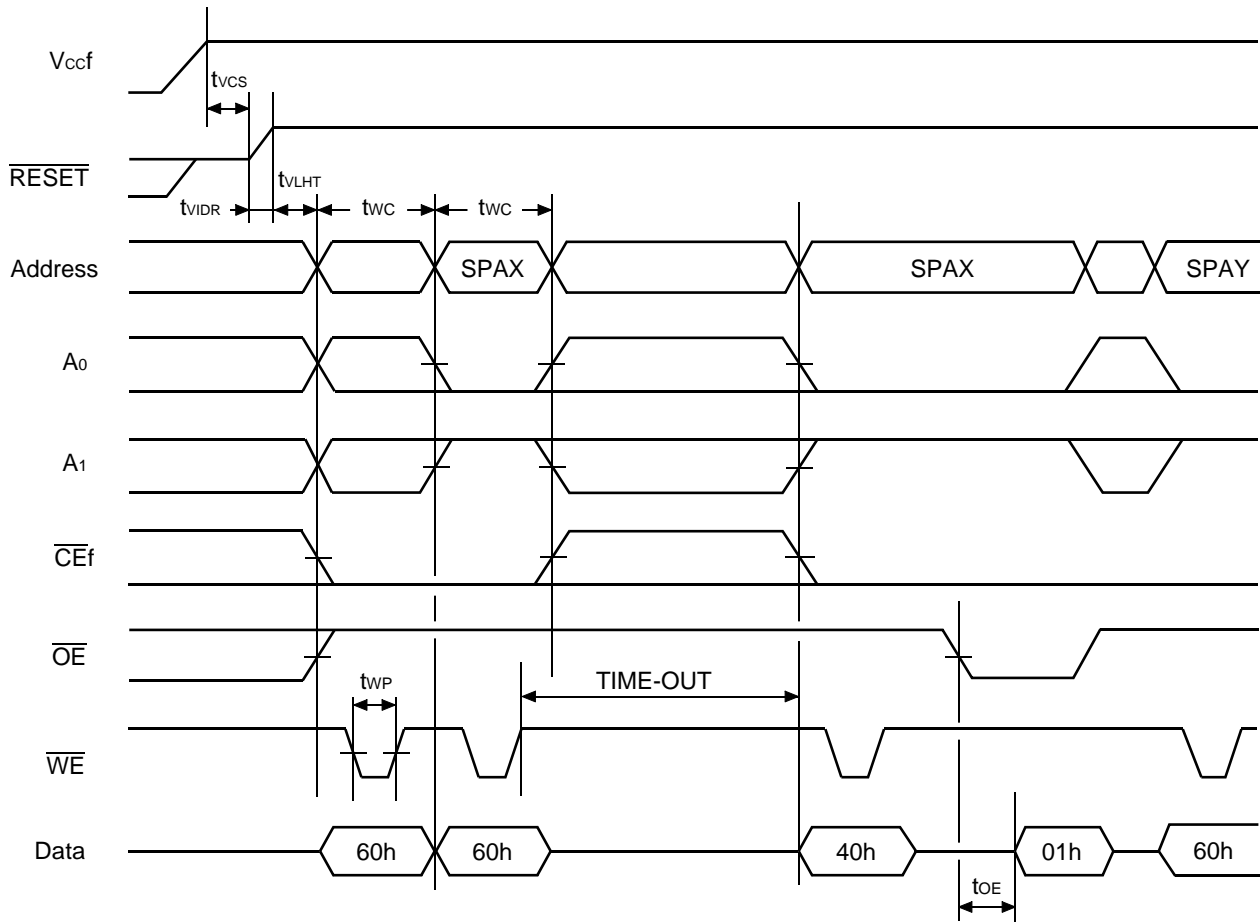
• Temporary Sector Group Unprotection (Flash)



• Acceleration Mode Timing Diagram (Flash)



• Extended Sector Group Protection (Flash)



SPAX: Sector Group Address to be protected  
 SPAY : Next Sector Group Address to be protected  
 TIME-OUT : Time-Out window = 250 μs (Min)

• READ OPERATION (FCRAM)

Parameter	Symbol	Value		Unit	Notes
		Min	Max		
Read Cycle Time	t <sub>RC</sub>	90	—	ns	
Chip Enable Access Time	t <sub>CE</sub>	—	85	ns	*1, *3
Output Enable Access Time	t <sub>OE</sub>	—	45	ns	*1
Chip Enable Access Time	t <sub>AA</sub>	—	85	ns	*1, *4
Output Data Hold Time	t <sub>OH</sub>	5	—	ns	*1
$\overline{CE1}$ s Low to Output Low-Z	t <sub>CLZ</sub>	5	—	ns	*2
$\overline{OE}$ Low to Output Low-Z	t <sub>OLZ</sub>	0	—	ns	*2
$\overline{CE1}$ s High to Output High-Z	t <sub>CHZ</sub>	—	30	ns	*2
$\overline{OE}$ High to Output High-Z	t <sub>OHZ</sub>	—	25	ns	*2
Address Setup Time to $\overline{CE1}$ s Low	t <sub>ASC</sub>	-5	—	ns	*5
Address Setup Time to $\overline{OE}$	t <sub>ASO</sub>	45	—	ns	*3, *6
	t <sub>ASO[ABS]</sub>	10	—	ns	*7
Address Invalid Time	t <sub>AX</sub>	—	5	ns	*4
$\overline{CE1}$ s Low to Address Hold Time	t <sub>CLAH</sub>	90	—	ns	*4
$\overline{OE}$ Low to Address Hold Time	t <sub>OLAH</sub>	45	—	ns	*4, *8
$\overline{CE1}$ s High to Address Hold Time	t <sub>CHAH</sub>	-5	—	ns	
$\overline{OE}$ High to Address Hold Time	t <sub>OHAH</sub>	-5	—	ns	
$\overline{CE1}$ s Low to $\overline{OE}$ Low Delay Time	t <sub>CLOL</sub>	45	1000	ns	*4, *6, *8, *9
$\overline{OE}$ Low to $\overline{CE1}$ s High Delay Time	t <sub>OLCH</sub>	45	—	ns	*8
$\overline{CE1}$ s High Pulse Width	t <sub>CP</sub>	20	—	ns	
$\overline{OE}$ High Pulse Width	t <sub>OP</sub>	45	1000	ns	*6, *8, *9
	t <sub>OP[ABS]</sub>	20	—	ns	*7

\*1: The output load is 30 pF.

\*2: The output load is 5 pF.

\*3: The t<sub>CE</sub> is applicable if  $\overline{OE}$  is brought to Low before  $\overline{CE1}$ s goes Low and is also applicable if actual value of both or either t<sub>ASO</sub> or t<sub>CLOL</sub> is shorter than specified value.

\*4: Applicable only to A<sub>0</sub> and A<sub>1</sub> when both  $\overline{CE1}$ s and  $\overline{OE}$  are kept at Low for the address access.

\*5: Applicable if  $\overline{OE}$  is brought to Low before  $\overline{CE1}$ s goes Low.

\*6: The t<sub>ASO</sub>, t<sub>CLOL</sub> (Min) and t<sub>OP</sub> (Min) are reference values when the access time is determined by t<sub>OE</sub>.

If actual value of each parameter is shorter than specified minimum value, t<sub>OE</sub> becomes longer by the amount of subtracting actual value from specified minimum value.

For example, if actual t<sub>ASO</sub>, t<sub>ASO</sub> (actual), is shorter than specified minimum value, t<sub>ASO</sub> (Min), during  $\overline{OE}$  control access (i.e.,  $\overline{CE1}$ s stays Low), the t<sub>OE</sub> becomes t<sub>OE</sub> (Max) + t<sub>ASO</sub> (Min) - t<sub>ASO</sub> (actual).

\*7: The t<sub>ASO[ABS]</sub> and t<sub>OP[ABS]</sub> are the absolute minimum values during  $\overline{OE}$  control access.

\*8: If actual value of either t<sub>CLOL</sub> or t<sub>OP</sub> is shorter than specified minimum value, both t<sub>OLAH</sub> and t<sub>OLCH</sub> become t<sub>RC</sub> (Min) - t<sub>CLOL</sub> (actual) or t<sub>RC</sub> (Min) - t<sub>OP</sub> (actual).

\*9: Maximum value is applicable if  $\overline{CE1}$ s is kept at Low.

• WRITE OPERATION (FCRAM)

Parameter	Symbol	Value		Unit	Notes
		Min	Max		
Write Cycle Time	t <sub>WC</sub>	90	—	ns	*1
Address Setup Time	t <sub>AS</sub>	0	—	ns	*2
Address Hold Time	t <sub>AH</sub>	45	—	ns	*2
$\overline{CE1}$ s Write Setup Time	t <sub>CS</sub>	0	1000	ns	
$\overline{CE1}$ s Write Hold Time	t <sub>CH</sub>	0	1000	ns	
$\overline{WE}$ Setup Time	t <sub>WS</sub>	0	—	ns	
$\overline{WE}$ Hold Time	t <sub>WH</sub>	0	—	ns	
$\overline{LB}$ s and $\overline{UB}$ s Setup Time	t <sub>BS</sub>	0	—	ns	
$\overline{LB}$ s and $\overline{UB}$ s Hold Time	t <sub>BH</sub>	-5	—	ns	
$\overline{OE}$ Setup Time	t <sub>OES</sub>	0	1000	ns	*3
$\overline{OE}$ Hold Time	t <sub>OE<sub>H</sub></sub>	45	1000	ns	*3, *4
	t <sub>OE<sub>H</sub>[ABS]</sub>	20	—	ns	*5
$\overline{OE}$ High to $\overline{CE1}$ s Low Setup Time	t <sub>OHCL</sub>	-3	—	ns	*6
$\overline{OE}$ High to Address Hold Time	t <sub>OH<sub>AH</sub></sub>	-5	—	ns	*7
$\overline{CE1}$ s Write Pulse Width	t <sub>CW</sub>	60	—	ns	*1, *8
$\overline{WE}$ Write Pulse Width	t <sub>WP</sub>	60	—	ns	*1, *8
$\overline{CE1}$ s Write Recovery Time	t <sub>WRC</sub>	15	—	ns	*1, *9
$\overline{WE}$ Write Recovery Time	t <sub>WR</sub>	15	1000	ns	*1, *3, *9
Data Setup Time	t <sub>DS</sub>	20	—	ns	
Data Hold Time	t <sub>DH</sub>	0	—	ns	
$\overline{CE1}$ s High Pulse Width	t <sub>CP</sub>	20	—	ns	*9

\*1: Minimum value must be equal or greater than the sum of actual t<sub>CW</sub> (or t<sub>WP</sub>) and t<sub>WRC</sub> (or t<sub>WR</sub>) .

\*2: New write address is valid from either  $\overline{CE1}$ s or  $\overline{WE}$  that is brought to High.

\*3: Maximum value is applicable if  $\overline{CE1}$ s is kept at Low and both  $\overline{WE}$  and  $\overline{OE}$  are kept at High.

\*4: The t<sub>OE<sub>H</sub></sub> is specified from end of t<sub>WC</sub> (Min) , and is a reference value when access time is determined by t<sub>OE</sub>.  
If actual value is shorter than specified minimum value, t<sub>OE</sub> becomes longer by the amount of subtracting actual value from specified minimum value.

\*5: The t<sub>OE<sub>H</sub>[ABS]</sub> is the absolute minimum value if write cycle is terminated by  $\overline{WE}$  and  $\overline{CE1}$ s stays Low.

\*6: t<sub>OHCL</sub> (Min) must be satisfied if read operation is not performed prior to write operation.  
In case  $\overline{OE}$  is disabled after t<sub>OHCL</sub> (Min) ,  $\overline{WE}$  Low must be asserted after t<sub>RC</sub> (Min) from  $\overline{CE1}$ s Low.  
In other words, read operation is initiated if t<sub>OHCL</sub> (Min) is not satisfied.

\*7: Applicable if  $\overline{CE1}$ s stays Low after read operation.

\*8: t<sub>CW</sub> and t<sub>WP</sub> are applicable if write operation is initiated by  $\overline{CE1}$ s and  $\overline{WE}$ , respectively.

\*9: t<sub>WRC</sub> and t<sub>WR</sub> are applicable if write operation is terminated by  $\overline{CE1}$ s and  $\overline{WE}$ , respectively.  
The t<sub>WR</sub> (Min) can be ignored if  $\overline{CE1}$ s is brought to High together or after  $\overline{WE}$  is brought to High.  
In such a case, the t<sub>CP</sub> (Min) must be satisfied.

• POWER DOWN PARAMETER (FCRAM)

Parameter	Symbol	Value		Unit	Note
		Min	Max		
CE2s Low Setup Time for Power Down Entry	t <sub>CSP</sub>	10	—	ns	
CE2s Low Hold Time after Power Down Entry	t <sub>C2LP</sub>	100	—	ns	
$\overline{CE1}$ s High Hold Time following CE2s High after Power Down Exit	t <sub>CHH</sub>	350	—	μs	
$\overline{CE1}$ s High Setup Time following CE2s High after Power Down Exit	t <sub>CHS</sub>	10	—	ns	

• OTHER TIMING PARAMETER (FCRAM)

Parameter	Symbol	Value		Unit	Note
		Min	Max		
$\overline{CE1}$ s High to $\overline{OE}$ Invalid Time for Standby Entry	t <sub>CHOX</sub>	20	—	ns	
$\overline{CE1}$ s High to $\overline{WE}$ Invalid Time for Standby Entry	t <sub>CHWX</sub>	20	—	ns	*1
CE2s Low Hold Time after Power-up	t <sub>C2LH</sub>	50	—	μs	*2
CE2s High Hold Time after Power-up	t <sub>C2HL</sub>	50	—	μs	*3
$\overline{CE1}$ s High Hold Time following CE2s High after Power-up	t <sub>CHH</sub>	350	—	μs	*2
Input Transition Time	t <sub>T</sub>	1	25	ns	*4

\*1: It may write data into any address location t<sub>CHWX</sub> is not satisfied.

\*2: Must satisfy t<sub>CHH</sub> (Min) after t<sub>C2LH</sub> (Min) .

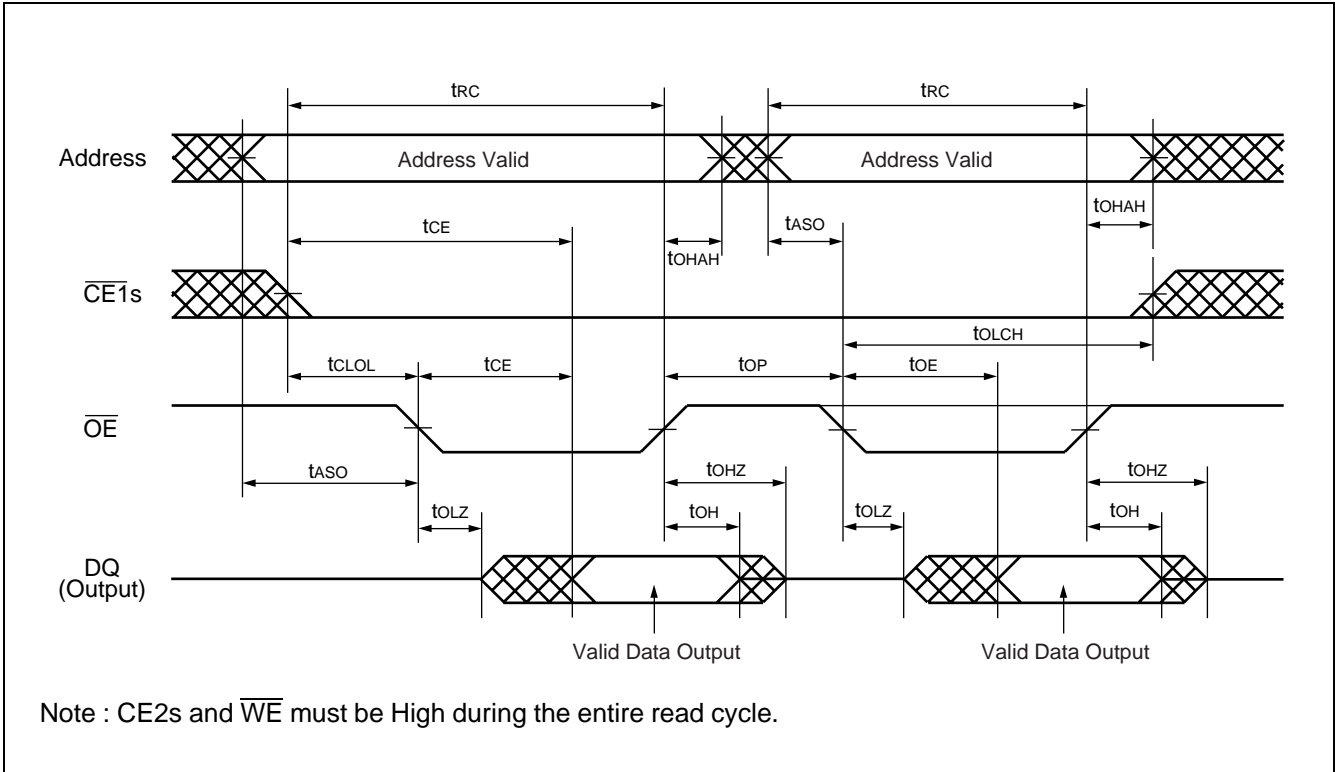
\*3: Requires Power Down mode entry and exit after t<sub>C2HL</sub>.

\*4: The Input Transition Time (t<sub>T</sub>) at AC testing is 5 ns as shown below. If actual t<sub>T</sub> is longer than 5 ns, it may violate AC specification of some timing parameters.

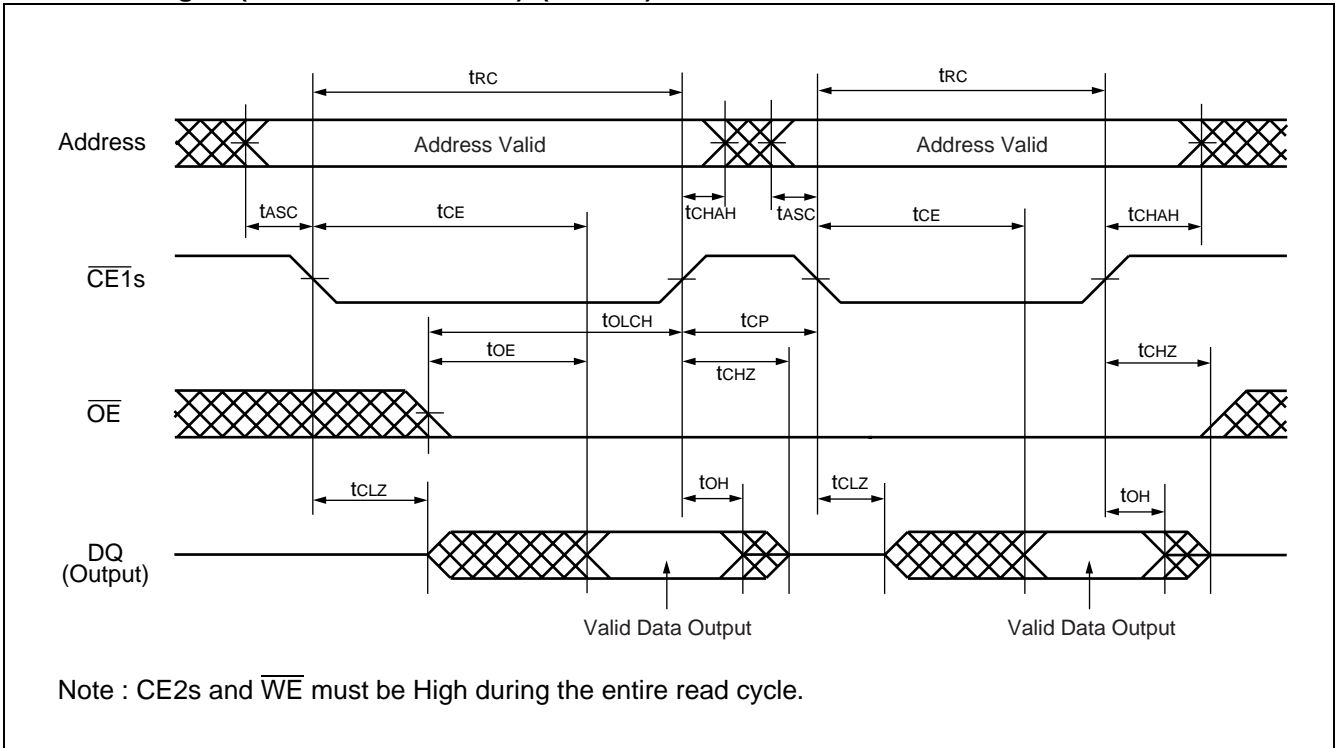
• AC TEST CONDITIONS (FCRAM)

Parameter	Symbol	Condition	Value	Unit	Note
Input High Level	V <sub>IH</sub>	V <sub>CCS</sub> = 2.7 V to 3.1 V	2.3	V	
Input Low Level	V <sub>IL</sub>	V <sub>CCS</sub> = 2.7 V to 3.1 V	0.4	V	
Input Timing Measurement Level	V <sub>REF</sub>	V <sub>CCS</sub> = 2.7 V to 3.1 V	1.3	V	
Input Transition Time	t <sub>T</sub>	Between V <sub>IL</sub> and V <sub>IH</sub>	5	ns	

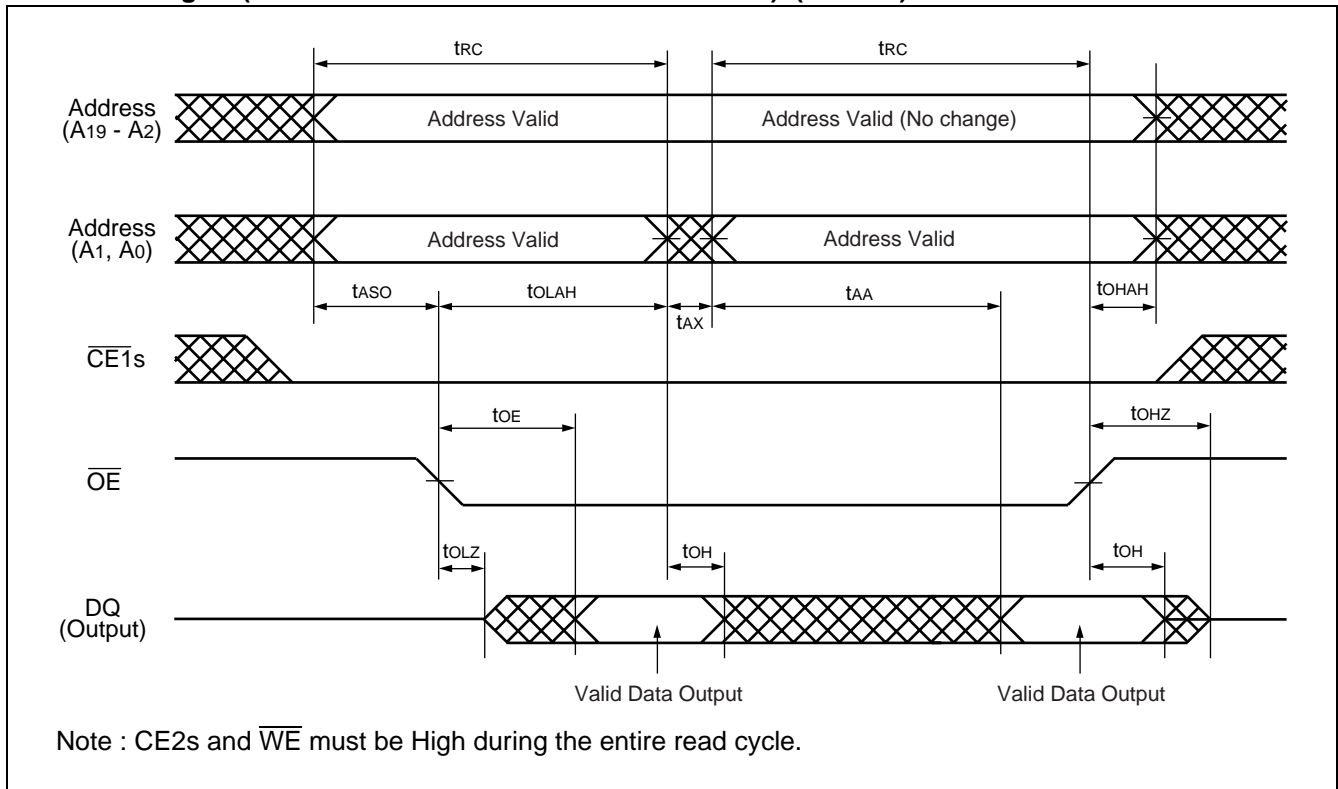
• READ Timing #1 ( $\overline{OE}$  Control Access) (FCRAM)



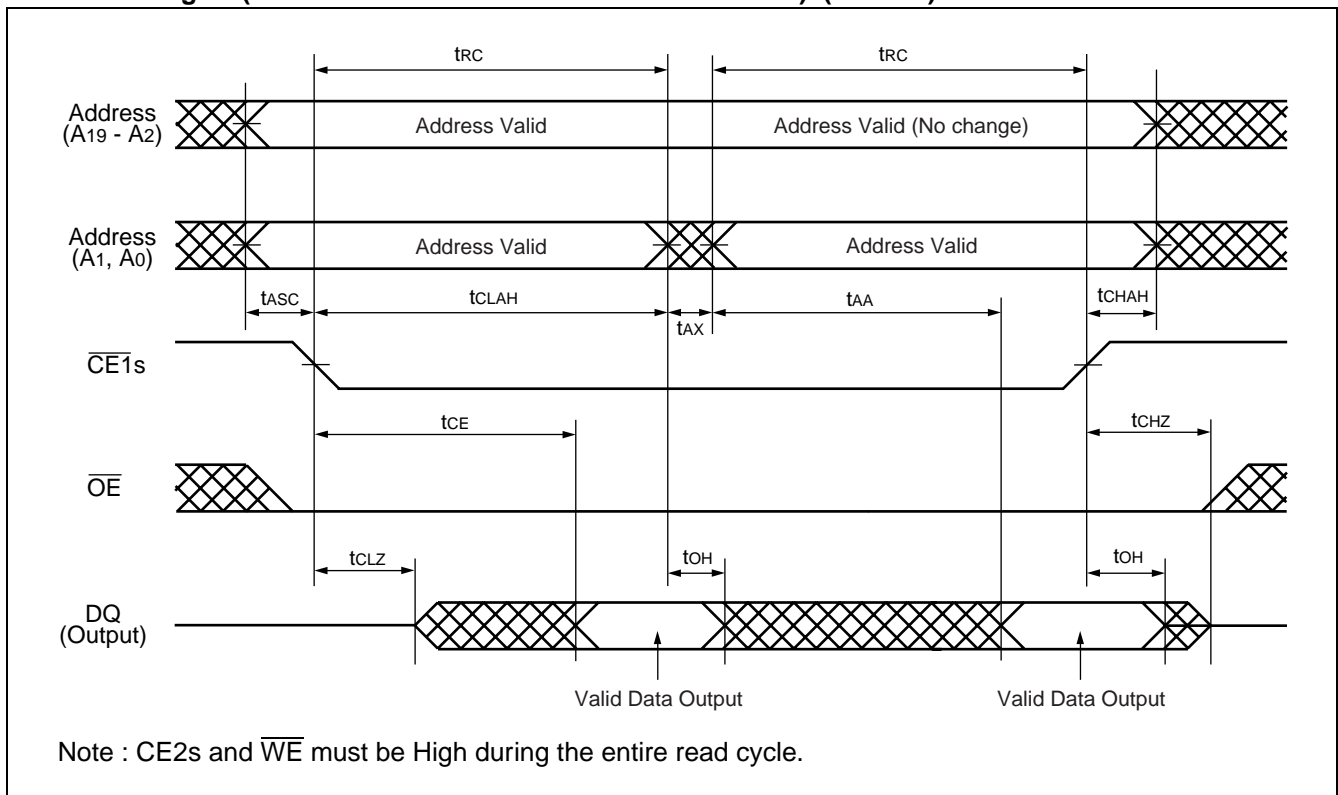
• READ Timing #2 ( $\overline{CE1s}$  Control Access) (FCRAM)



• READ Timing #3 (Address Access after  $\overline{OE}$  Control Access) (FCRAM)

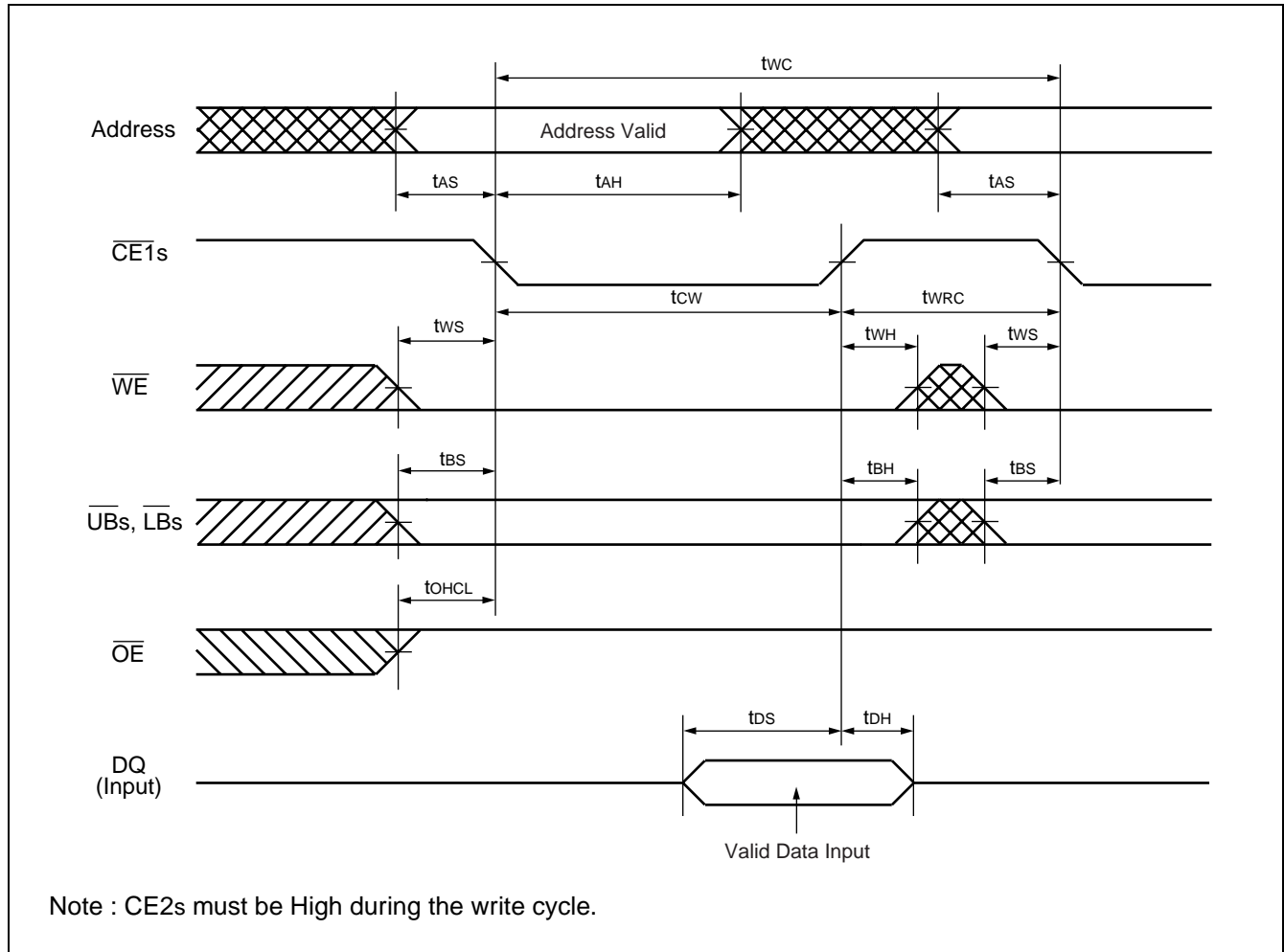


• READ Timing #4 (Address Access after  $\overline{CE1s}$  Control Access) (FCRAM)

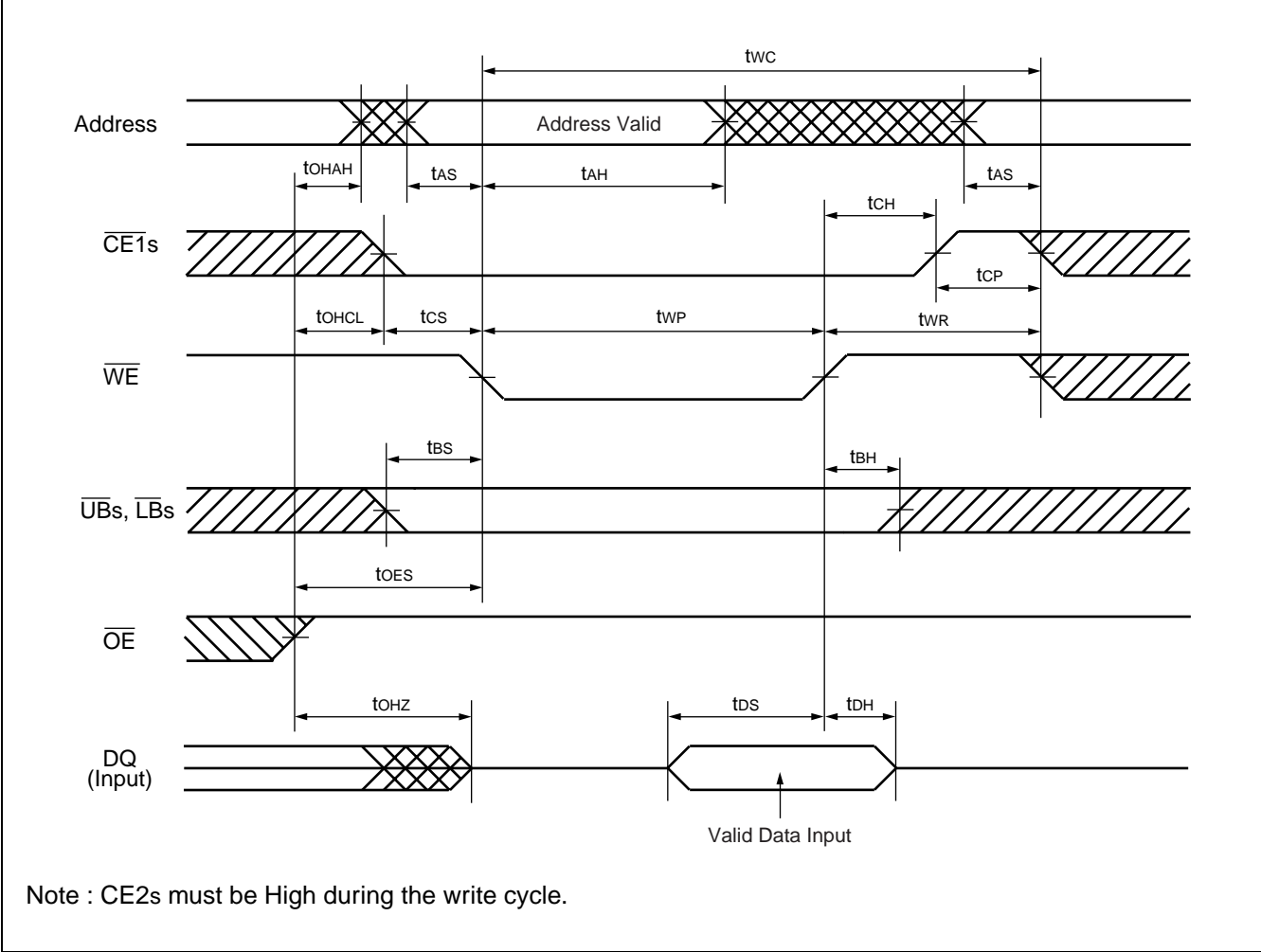




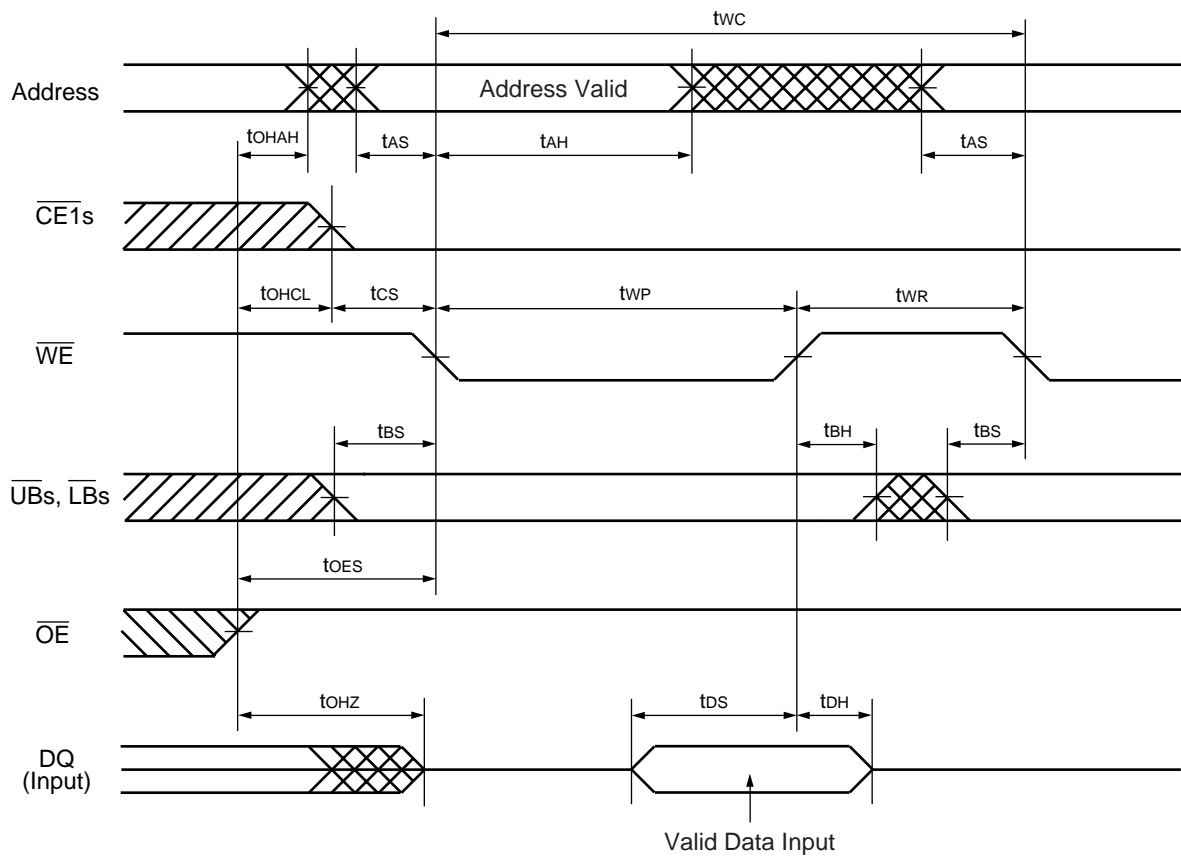
• WRITE Timing #1 ( $\overline{CE1}$ s Control) (FCRAM)



• WRITE Timing #2-1 ( $\overline{WE}$  Control, Single Write Operation) (FCRAM)

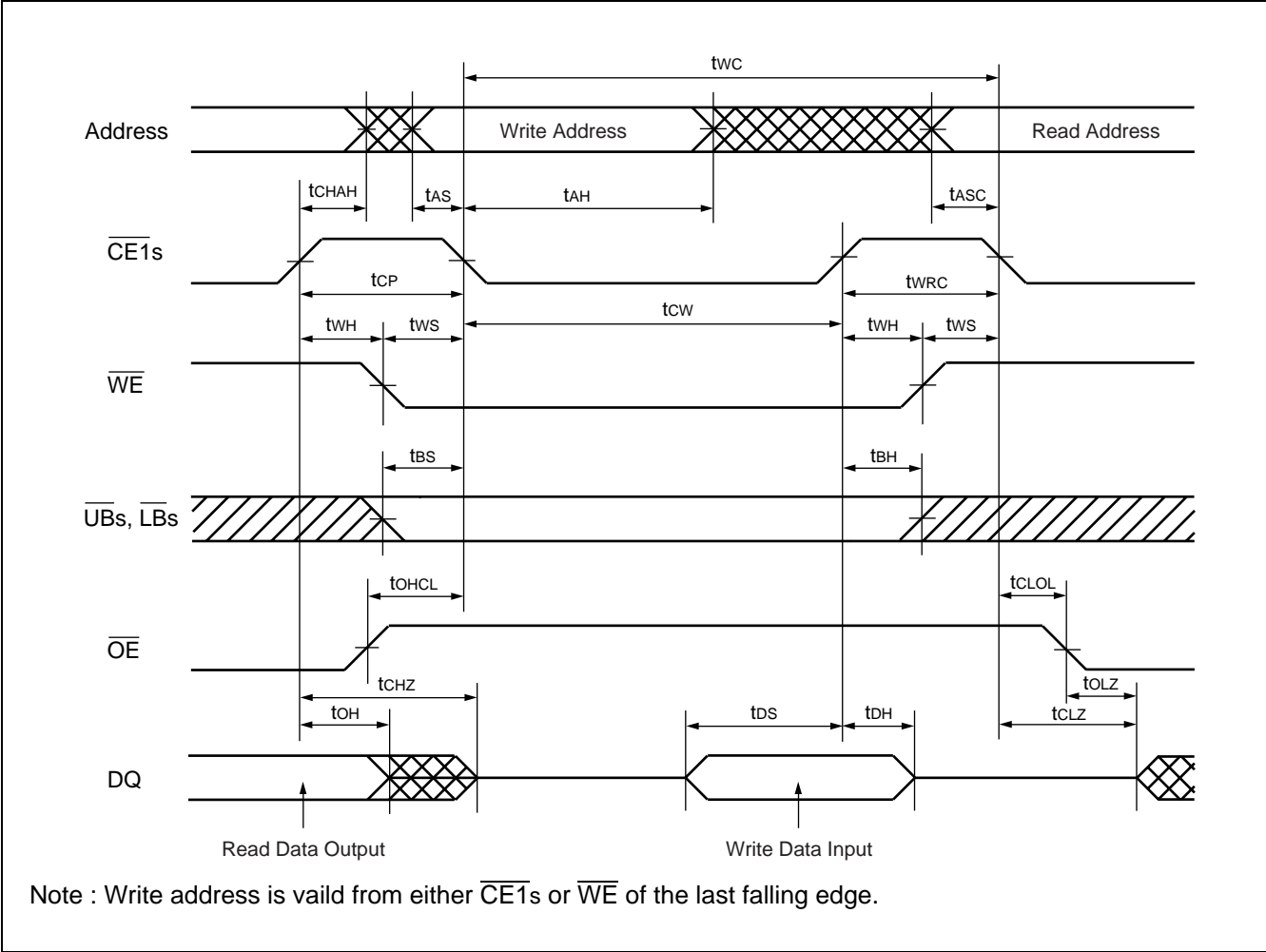


• WRITE Timing #2 ( $\overline{WE}$  Control, Continuous Write Operation) (FCRAM)

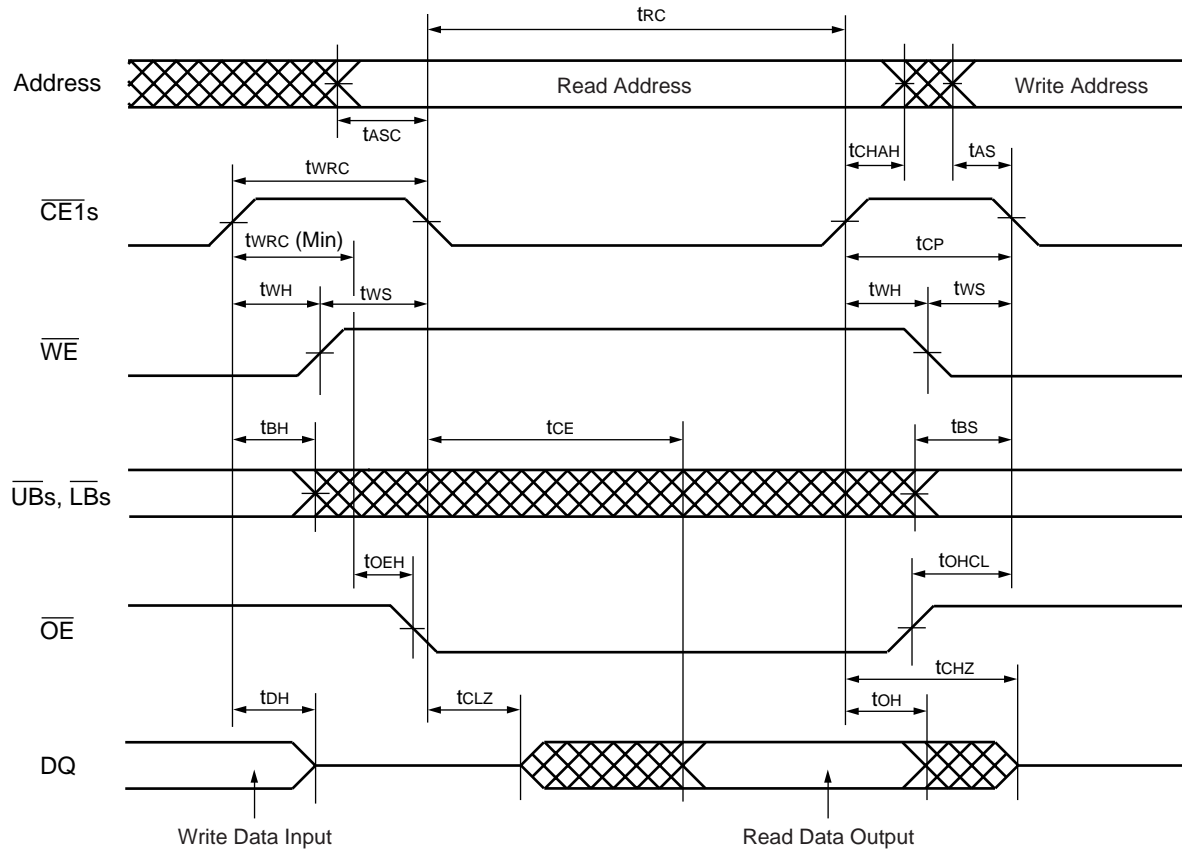


Note : CE2s must be High during the write cycle.

• READ/WRITE Timing #1-1 ( $\overline{CE1s}$  Control) (FCRAM)

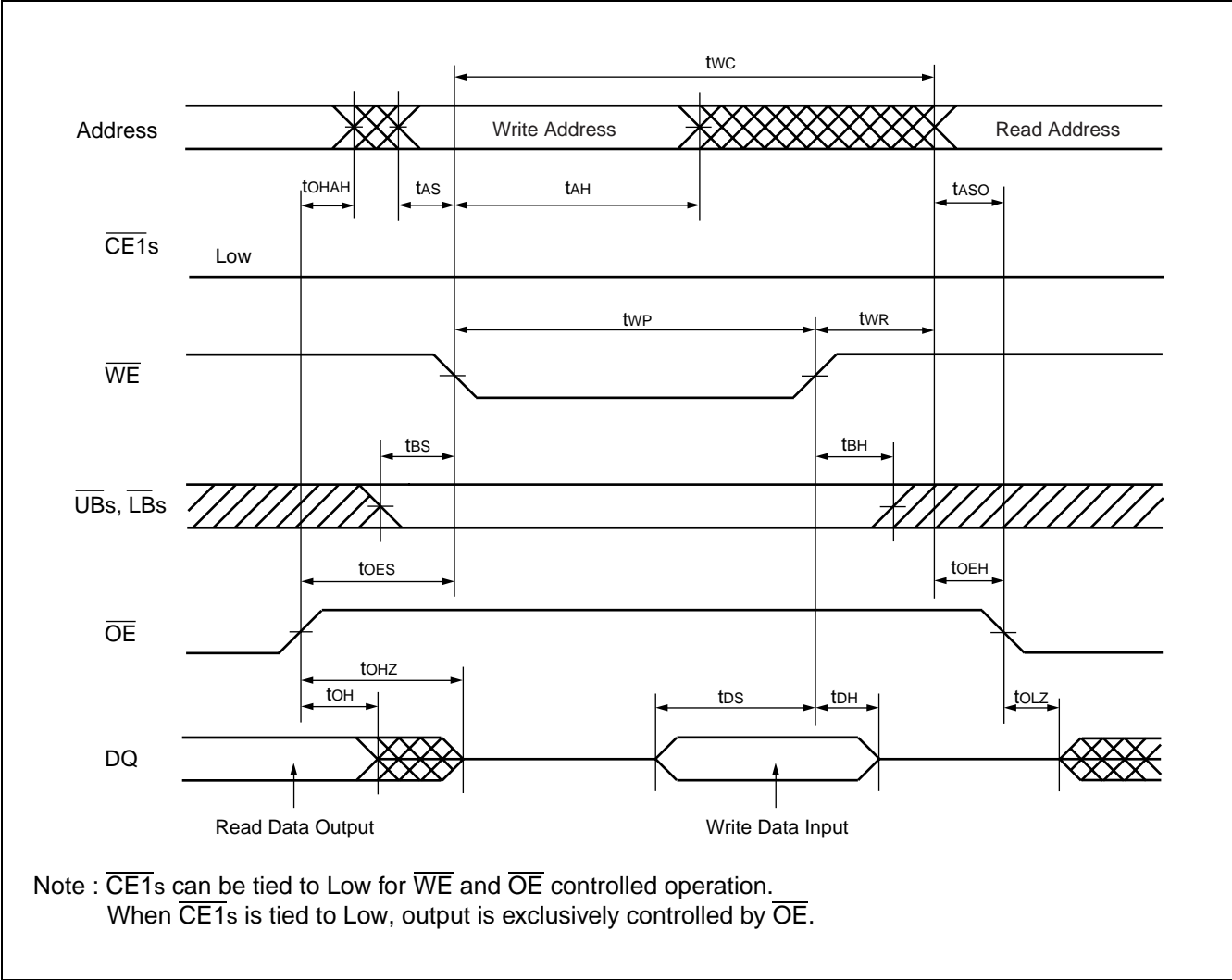


• READ/WRITE Timing #1-2 ( $\overline{CE1s}$  Control) (FCRAM)

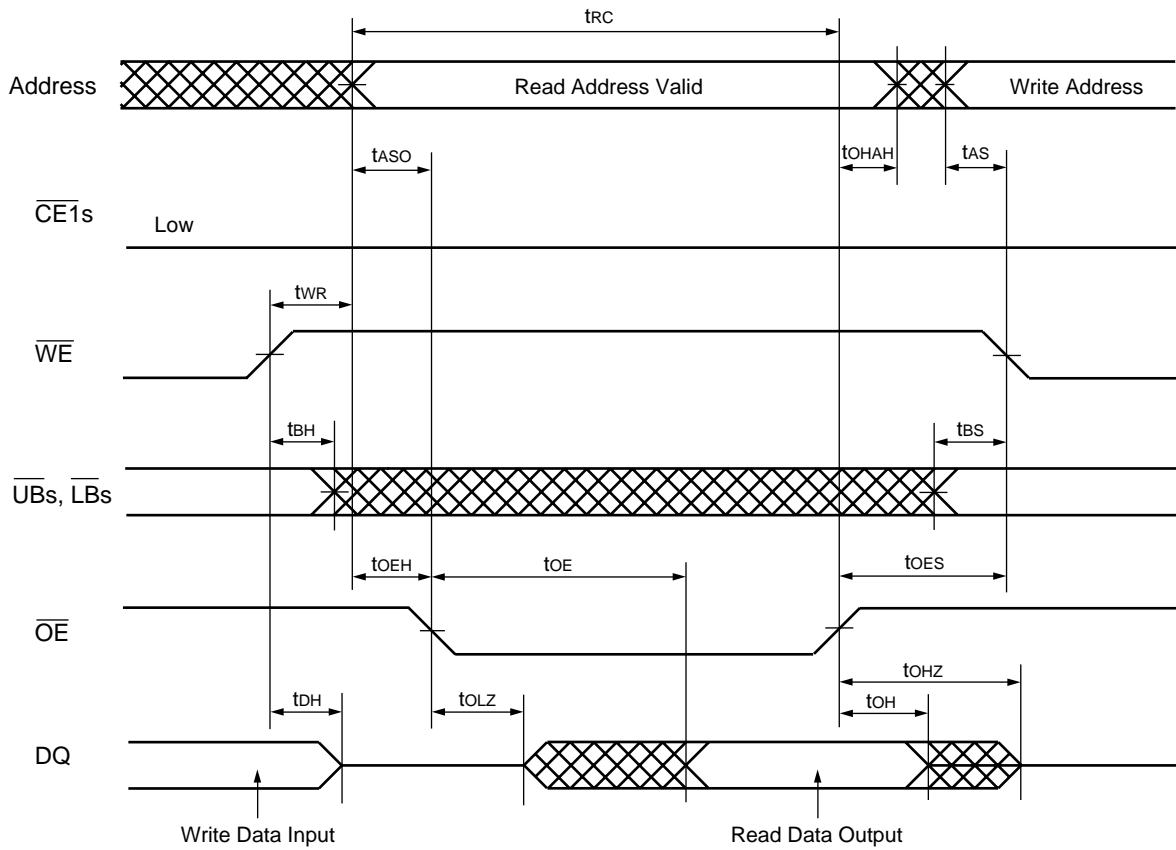


Note :  $t_{OE}$  is specified from the time satisfied both  $t_{WRC}$  and  $t_{WR(Min)}$  .

• READ ( $\overline{OE}$  Control) /WRITE ( $\overline{WE}$  Control) Timing #2-1 (FCRAM)

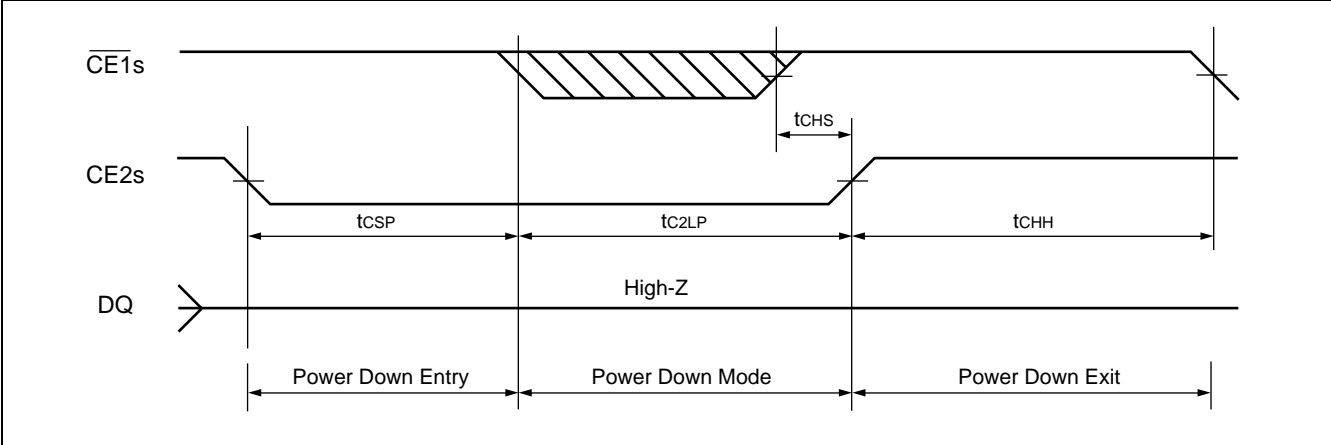


• READ ( $\overline{OE}$  Control) / WRITE ( $\overline{WE}$  Control) Timing #2-2

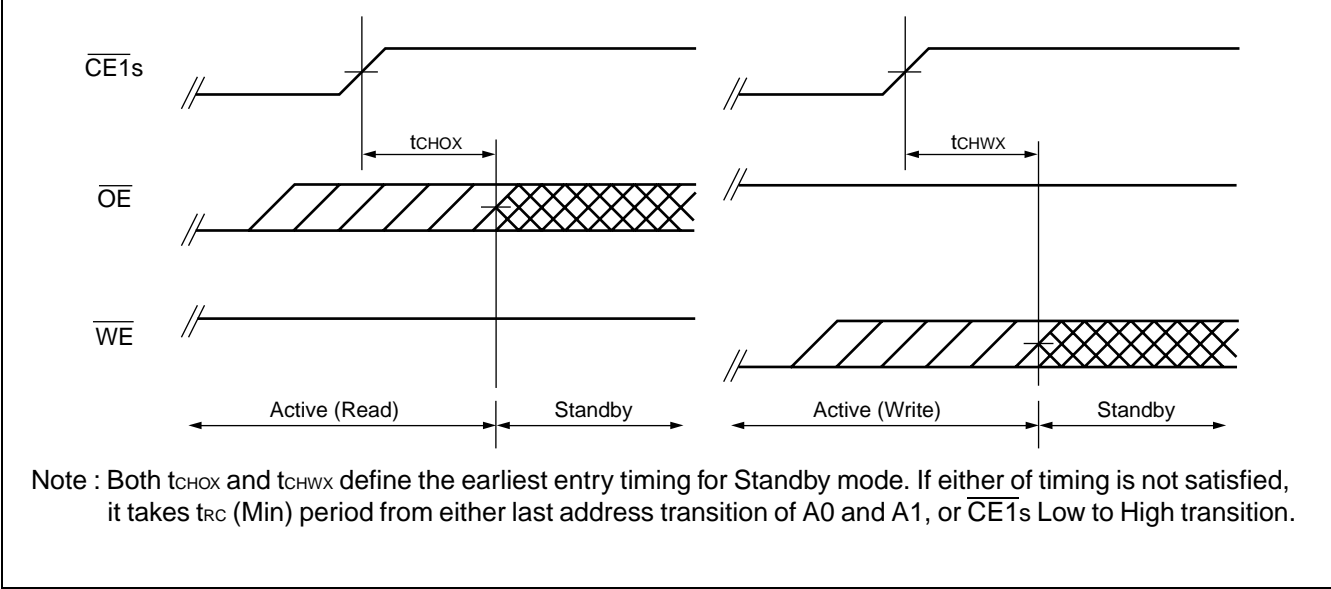


Note :  $\overline{CE1s}$  can be tied to Low for  $\overline{WE}$  and  $\overline{OE}$  controlled operation.  
 When  $\overline{CE1s}$  is tied to Low, output is exclusively controlled by  $\overline{OE}$ .

● POWER DOWN Timing (FCRAM)

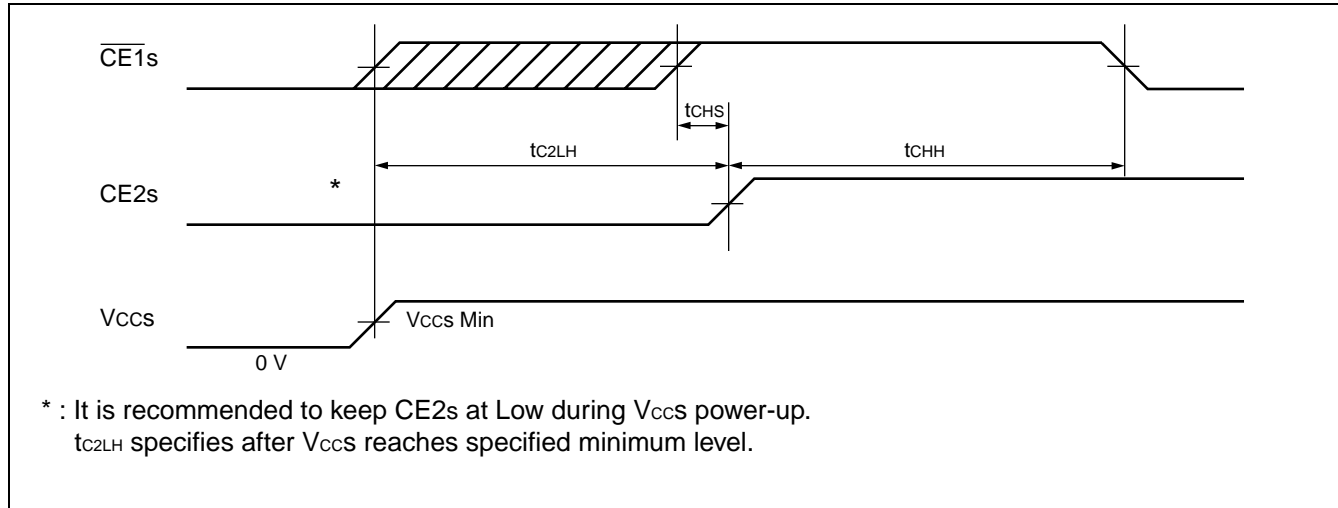


● Standby Entry Timing after Read or Write (FCRAM)

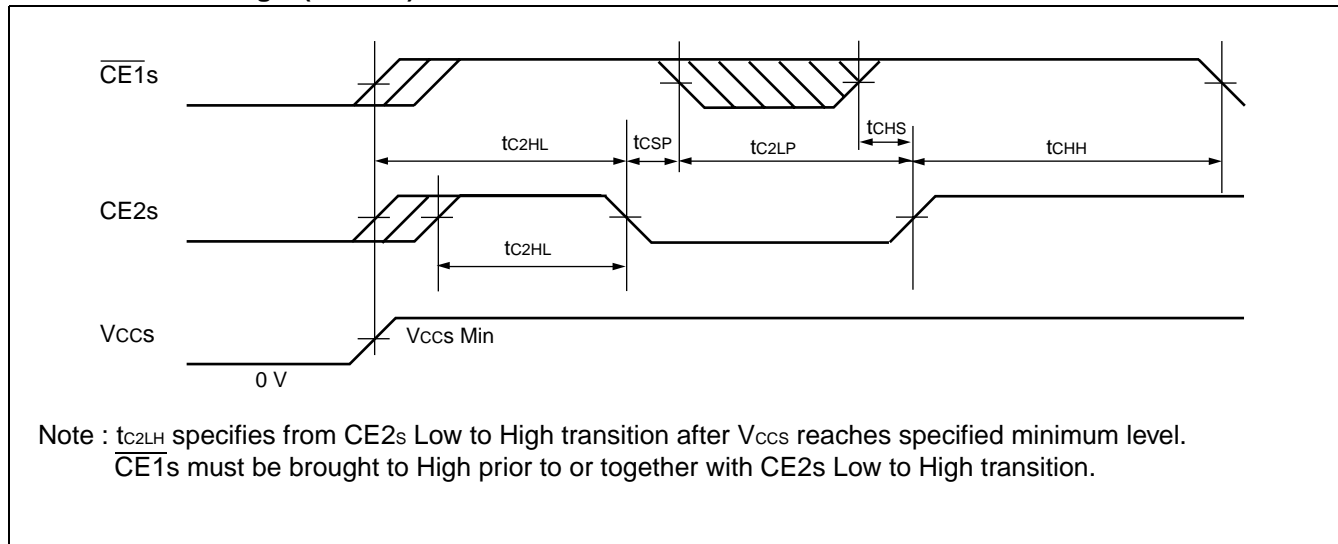




● POWER-UP Timing 1 (FCRAM)



● POWER-UP Timing 2 (FCRAM)



■ ERASE AND PROGRAMMING PERFORMANCE (Flash)

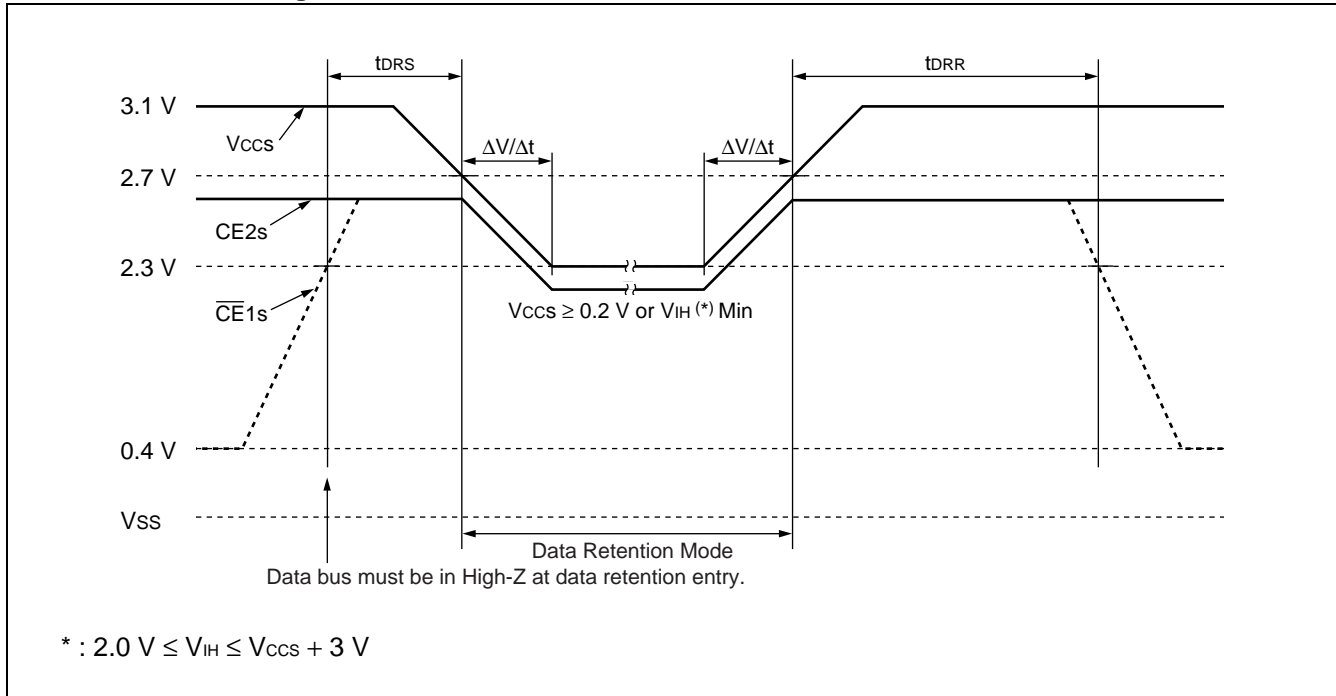
Parameter	Value			Unit	Remarks
	Min	Typ	Max		
Sector Erase Time	—	1	10	s	Excludes programming time prior to erasure
Word Programming Time	—	16	360	μs	Excludes system-level overhead
Chip Programming Time	—	—	200	s	Excludes system-level overhead
Erase/Program Cycle	100,000	—	—	cycle	

■ DATA RETENTION CHARACTERISTICS (FCRAM)

Parameter	Symbol	Conditions	Value			Unit
			Min	Typ	Max	
V <sub>CCS</sub> Data Retention Supply Voltage	V <sub>DR</sub>	$\overline{CE1s} = \overline{CE2s} \geq V_{CCS} - 0.2 \text{ V}$ or, $\overline{CE1s} = \overline{CE2s} = V_{IH}$	2.3	—	3.1	V
V <sub>CCS</sub> Data Retention Supply Current	I <sub>DR</sub>	$2.3 \text{ V} \leq V_{CCS} \leq 2.7 \text{ V}$ , $V_{IN} = V_{IH}^*$ or $V_{IL}$ , $\overline{CE1s} = \overline{CE2s} = V_{IH}^*$ , I <sub>OUT</sub> =0 mA	—	0.5	1	mA
	I <sub>DR1</sub>	$2.3 \text{ V} \leq V_{CCS} \leq 2.7 \text{ V}$ , $V_{IN} \leq 0.2 \text{ V}$ or $V_{IN} \geq V_{CCS} - 0.2 \text{ V}$ , $\overline{CE1s} = \overline{CE2s} \geq V_{CCS} - 0.2 \text{ V}$ , I <sub>OUT</sub> =0 mA	—	—	70	μA
Data Retention Setup Time	t <sub>DRS</sub>	$2.7 \text{ V} \leq V_{CCS} \leq 3.1 \text{ V}$ at data retention entry	0	—	—	ns
Data Retention Recovery Time	t <sub>DRR</sub>	$2.7 \text{ V} \leq V_{CCS} \leq 3.1 \text{ V}$ after data retention	90	—	—	ns
V <sub>CCS</sub> Voltage Transition Time	ΔV/Δt	—	0.5	—	—	V/μs

\*:  $2.0 \text{ V} \leq V_{IH} \leq V_{CCS} + 0.3 \text{ V}$

• Data Retention Timing



■ PIN CAPACITANCE

Parameter	Symbol	Condition	Value		Unit
			Typ	Max	
Input Capacitance	$C_{IN}$	$V_{IN} = 0 \text{ V}$	11	14	pF
Output Capacitance	$C_{OUT}$	$V_{OUT} = 0 \text{ V}$	12	16	pF
Control Pin Capacitance	$C_{IN2}$	$V_{IN} = 0 \text{ V}$	14	16	pF
$\overline{WP}/ACC$ Pin Capacitance	$C_{IN3}$	$V_{IN} = 0 \text{ V}$	21.5	26	pF

Note: Test conditions  $T_A = +25^\circ\text{C}$ ,  $f = 1.0 \text{ MHz}$

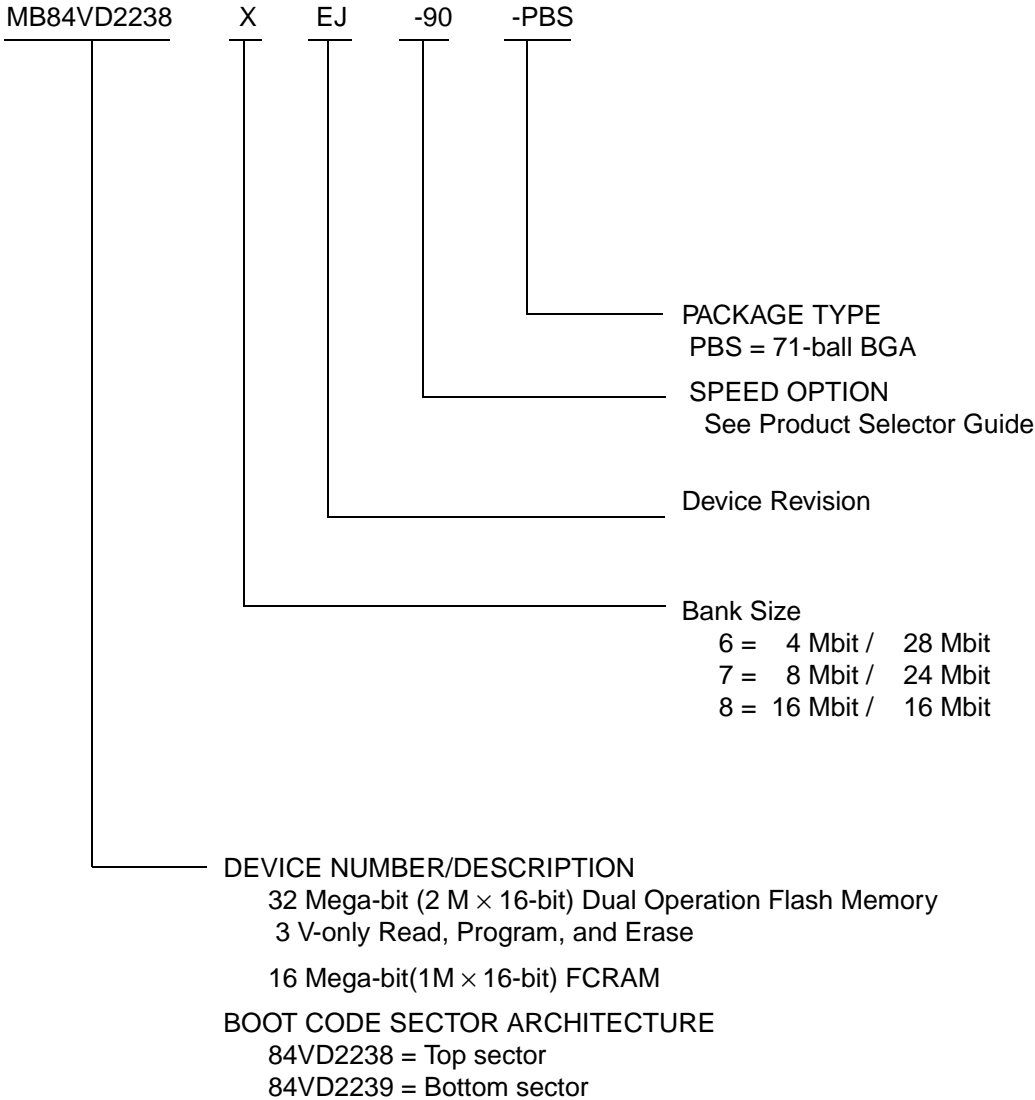
■ HANDLING OF PACKAGE

Please handle this package carefully since the sides of package are created acute angles.

■ CAUTION

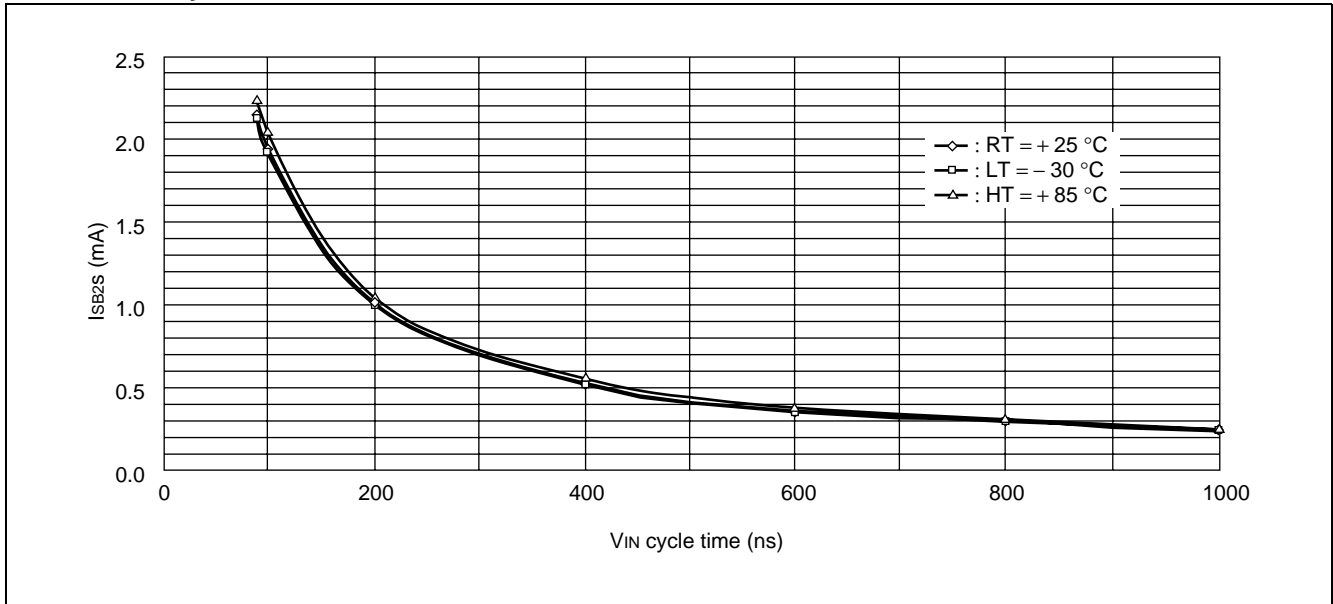
- The high voltage ( $V_{ID}$ ) cannot apply to address pins and control pins except  $\overline{RESET}$ . Exception is when autoselect and sector protect function are used. Then the high voltage ( $V_{ID}$ ) can be applied to  $\overline{RESET}$ .
- Without the high voltage ( $V_{ID}$ ), sector protection can be achieved by using "Extended Sector Group Protection" command.

■ ORDERING INFORMATION



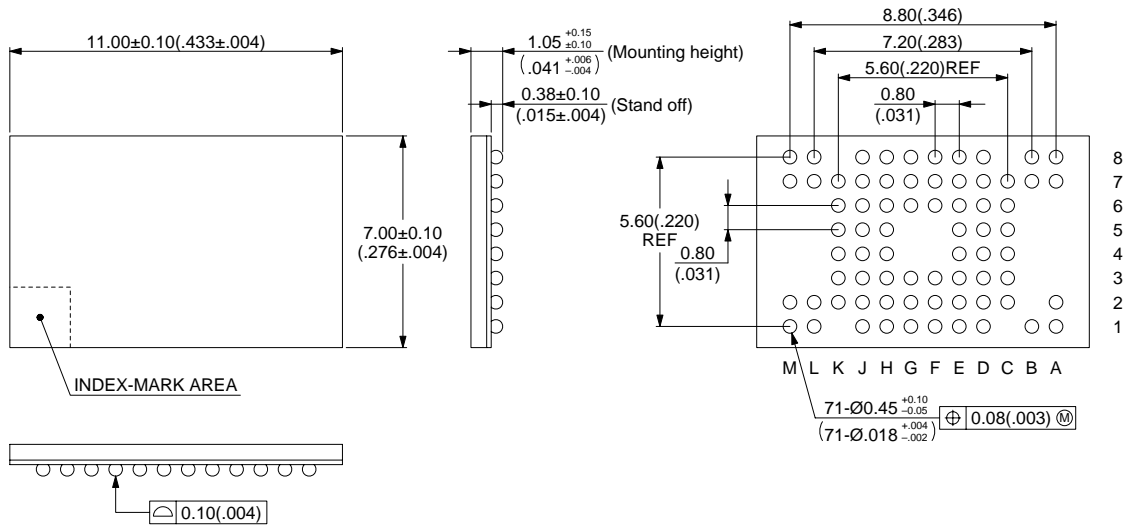
■ APPENDIX

● I<sub>SB2S</sub> vs. V<sub>IN</sub> Cycle time



■ PACKAGE DIMENSION

71-pin plastic FBGA  
(BGA-71P-M02)



© 2000 FUJITSU LIMITED B71002S-1c-1

Dimensions in mm (inches).

# FUJITSU LIMITED

All Rights Reserved.

The contents of this document are subject to change without notice. Customers are advised to consult with FUJITSU sales representatives before ordering.

The information and circuit diagrams in this document are presented as examples of semiconductor device applications, and are not intended to be incorporated in devices for actual use. Also, FUJITSU is unable to assume responsibility for infringement of any patent rights or other rights of third parties arising from the use of this information or circuit diagrams.

The products described in this document are designed, developed and manufactured as contemplated for general use, including without limitation, ordinary industrial use, general office use, personal use, and household use, but are not designed, developed and manufactured as contemplated (1) for use accompanying fatal risks or dangers that, unless extremely high safety is secured, could have a serious effect to the public, and could lead directly to death, personal injury, severe physical damage or other loss (i.e., nuclear reaction control in nuclear facility, aircraft flight control, air traffic control, mass transport control, medical life support system, missile launch control in weapon system), or (2) for use requiring extremely high reliability (i.e., submersible repeater and artificial satellite).

Please note that Fujitsu will not be liable against you and/or any third party for any claims or damages arising in connection with above-mentioned uses of the products.

Any semiconductor devices have an inherent chance of failure. You must protect against injury, damage or loss from such failures by incorporating safety design measures into your facility and equipment such as redundancy, fire protection, and prevention of over-current levels and other abnormal operating conditions.

If any products described in this document represent goods or technologies subject to certain restrictions on export under the Foreign Exchange and Foreign Trade Law of Japan, the prior authorization by Japanese government will be required for export of those products from Japan.