



# CV210-1A

## Cellular-band Dual-Branch Downconverter



### Product Features

- High dynamic range downconverter with integrated LO and IF amplifiers
- Dual channels for diversity
- +30 dBm Input IP3
- +11.5 dBm Input P1dB
- RF: 800 – 915 MHz
- IF: 65 – 120 MHz
- Single supply operation (+5 V)
- Pb-free 6mm 28-pin QFN package
- Low-side LO configuration
- Common footprint with other PCS/UMTS/cellular versions

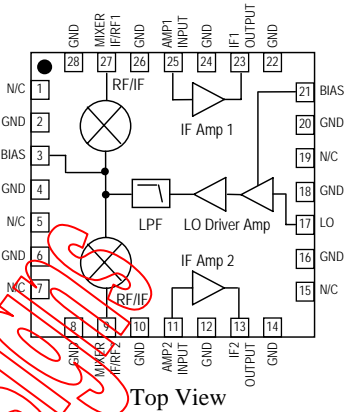
### Product Description

The CV210-1A is a dual-channel high-linearity downconverter designed to meet the demanding performance, functionality, and cost goals of current and next generation mobile infrastructure base stations. It provides high dynamic range performance in a low profile surface-mount leadless package that measures 6x6 mm square.

It is ideally suited for high dynamic range receiver front ends using diversity receive channels. Functionality includes frequency conversion and IF amplification, while an integrated LO driver amplifier powers the passive mixer. The MCM is implemented with reliable and mature GAs MESFET and InGaP HBT technology.

Typical applications include frequency downconversion used in CDMA/GSM/TDMA, CDMA2000, W-CDMA, and EDGE 2.5G and 3G mobile base transceiver stations.

### Functional Diagram



### Specifications <sup>(1)</sup>

Parameters	Units	Min	Typ	Max	Comments
RF Frequency Range	MHz		800 – 915		
LO Frequency Range	MHz		680 – 850		
IF Center Frequency Range	MHz		65 – 120		See note 2
% Bandwidth around IF center frequency	%		±7.5		See note 3
IF Test Frequency	MHz		75		
SSB Conversion Gain	dB	8	10	12	Temp = 25° C
Gain Drift over Temp (-40° C to 85° C)	dB	-1.5	±0.1	1.5	Referenced to +25° C
Input IP3	dBm	+25	+30		See note 4
Input IP2	dBm	+33	+36.5		See note 4
Input 1 dB Compression Point	dBm		+11.5		See note 4
Noise Figure	dB		10.5		See note 5
LO Input Drive Level	dBm	-2.5	0	+2.5	
LO-RF Isolation	dB		20		P <sub>LO</sub> = 0 dBm
LO-IF Isolation	dB		35		P <sub>LO</sub> = 0 dBm
Branch-Branch Isolation	dB		56		
Return Loss: RF Port	dB		15		
Return Loss: LO Port	dB		20		
Return Loss: IF Port	dB		16		
Operating Supply Voltage	V		+5		
Supply Current	mA	320	385	475	
Thermal Resistance	°C / W			27	
Junction Temperature	°C			160	See note 6

1. Specifications when using the application specific circuit (shown on page 3) with a low side LO = 0 dBm and IF = 75 MHz in a downconverting application at 25° C.
2. IF matching components affect the center IF frequency. Proper component values for other IF center frequencies than shown can be provided by emailing to applications.engineering@wj.com.
3. The IF bandwidth of the converter is defined as 15% around any center frequency in its operating IF frequency range. The bandwidth is determined with external components. Specifications are valid around the total ±7.5% bandwidth, i.e. with a center frequency of 80 MHz, the specifications are valid from 80 ± 6 MHz.
4. Assumes the supply voltage = +5 V. IP3 is measured with Af = 1 MHz with RF<sub>in</sub> = -5 dBm / tone.
5. Assumes LO injection noise is filtered at the thermal noise floor, -174 dBm/Hz, at the RF, IF, and Image frequencies.
6. The maximum junction temperature ensures a minimum MTBF rating of 1 million hours of usage.

### Absolute Maximum Rating

Parameter	Rating
Operating Case Temperature	-40° to +85° C
Storage Temperature	-55° to +150° C
DC Voltage	+5.5 V
Junction Temperature	+220 °C

Operation of this device above any of these parameters may cause permanent damage.

**End of Life Notice**  
 Last time buy date: **Oct. 9, 2010**  
 Recommended replacement part: **CV210-3AF**

Part No.	Description
CV210-1AF	Cellular-band Dual-Branch Downconverter (lead-free/RoHS-compliant 6x6mm QFN package)
CV210-1APCB75	Fully-Assembled Application Board, IF = 75MHz

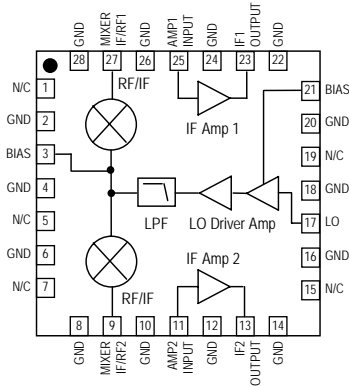


# CV210-1A

Cellular-band Dual-Branch Downconverter



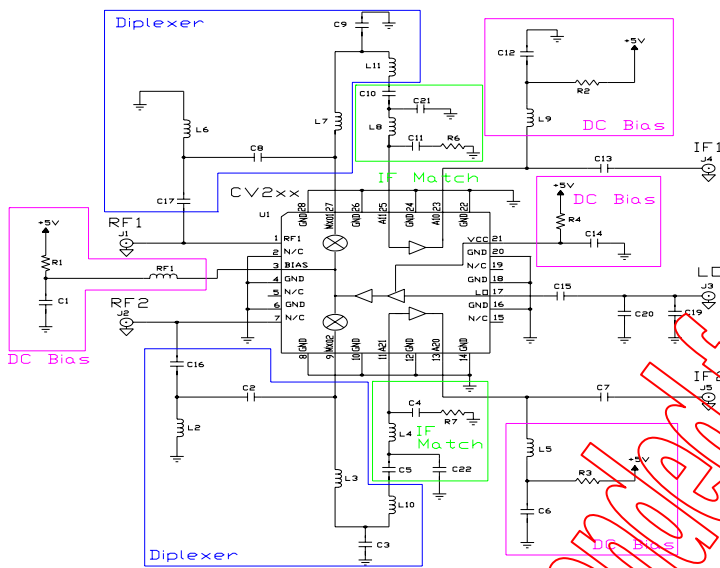
## Device Architecture / Application Circuit Information



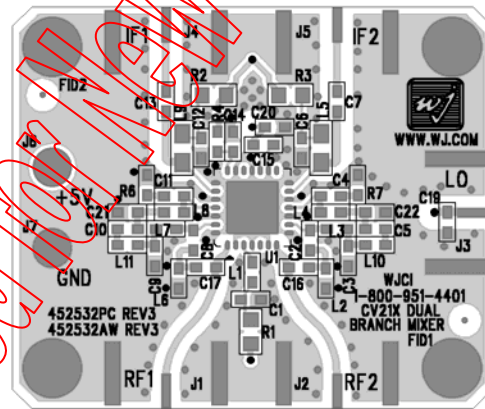
Typical Downconverter Performance Chain Analysis (Each Branch)

Stage	Gain (dB)	Input P1dB (dBm)	Input IP3 (dBm)	NF (dB)	Current (mA)	Cumulative Performance			
						Gain (dB)	Input P1dB (dBm)	Input IP3 (dBm)	NF (dB)
LO Amp / MMIC Mixer	-8	18.5	35.0	8.5	85	-8	18.5	35.0	8.5
IF Amplifier	18	4.5	23.5	2.2	150	10	11.5	29.9	10.5
<b>CV210-1A</b>	<b>Cumulative Performance</b>				<b>385*</b>	<b>10</b>	<b>+11.5</b>	<b>+29.9</b>	<b>10.5</b>

\* The 2<sup>nd</sup> branch includes another mixer and IF amplifier, which increases the total current consumption of the MCM to be 385 mA.



Printed Circuit Board Material:  
.014" FR-4, 4 layers, .062" total thickness



**CV210-1A:** The application circuit can be broken up into three main functions as denoted in the colored dotted areas above: RF/IF diplexing (blue), IF amplifier matching (green) and dc biasing (purple). There are various placeholders for chip components in the circuit schematic so that a common PCB can be used for all WJ dual-branch converters. Further details are given in the Application Note located on the website titled "CV2xx Series" PWB Design Guidelines".

**IF Amplifier Matching:** The IF amplifier requires matching elements to optimize the performance of the amplifier to the desired IF center frequency. Since IF bandwidths are typically on the order of 5 to 10%, a simple two element matching network, in the form of either a high-pass or low-pass filter structure, is sufficient to match the MMIC IF amplifier over these narrow bandwidths. Proper component values for other IF center frequencies can be found in the IF Amplifier Matching Table or by e-mailing to [sjccapplication.engineering@tqs.com](mailto:sjccapplication.engineering@tqs.com).

**External Diplexer:** In a downconversion application, the incoming RF signal impinges on the switching elements of the mixer; the interaction with these switches produces a signal at the IF frequency. The two signals (RF and IF) are directed to the appropriate ports by the external diplexer. A six-element diplexer is used in the circuit implementation.

**DC biasing:** DC bias must be provided for the LO and IF amplifiers in the converter. R1 sets the operating current for the last stage of the LO amplifier and is chosen to optimize the mixer LO drive level. Proper RF chokes and bypass capacitors are chosen for proper amplifier biasing at the intended frequency of operation. The "+5 V" dc bias should be supplied directly from a voltage regulator.

### IF Amplifier Matching

Frequency (MHz)	40	50	75	100	125	130	155	169	180	210	240
<b>L7 (nH)</b>	470	430	150	150	120	120	100	82	82	82	56
<b>C17 (pF)</b>	24	15	22	10	8.2	6.8	5.6	5.0	4.7	3.3	3.9
<b>R8 (ohms)</b>	4.7	4.7	3.3	2.2	2.2	2.2	2.2	2.2	2.2	2.2	2.2
<b>L4 (nH)</b>	470	240	330	330	330	330	330	330	330	220	220

Specifications and information are subject to change without notice

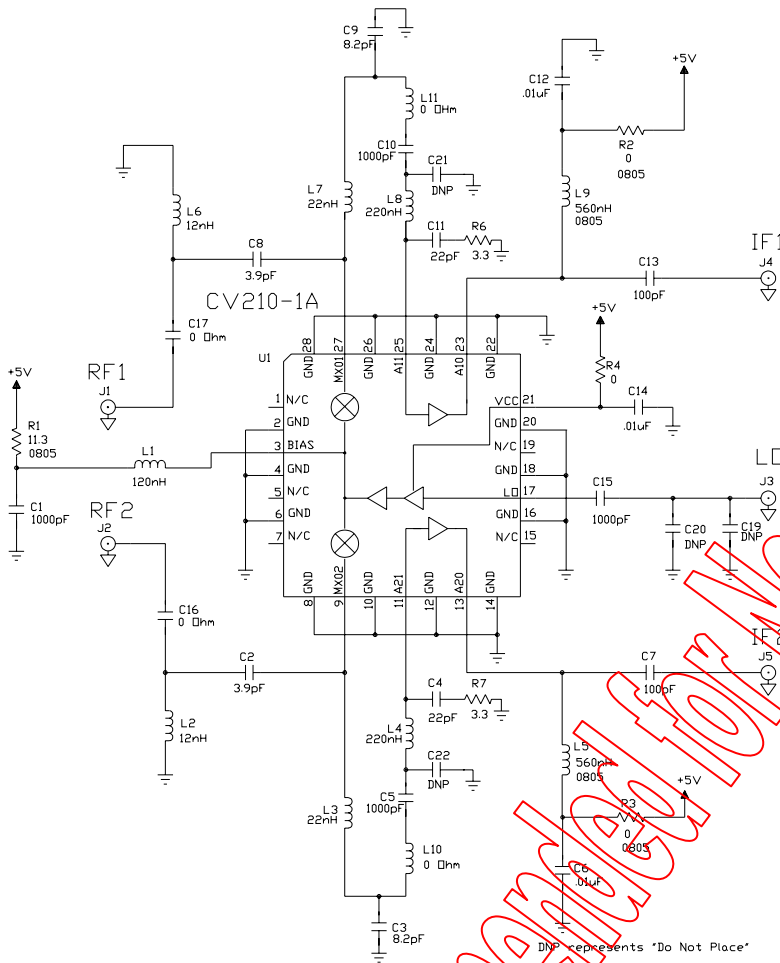


# CV210-1A

Cellular-band Dual-Branch Downconverter



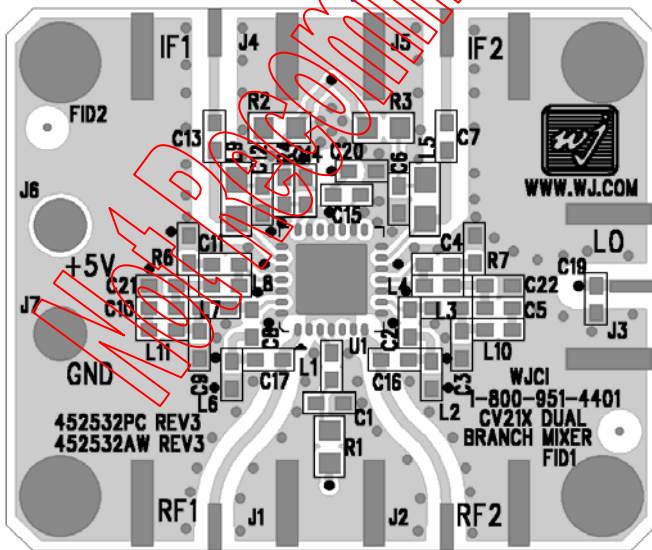
## Application Circuit: IF = 75 MHz (CV210-1APCB75)



### Bill of Materials

Ref. Desig.	Component	Size
R1	11.3 $\Omega$ chip resistor	0805
R2, R3, R4, L10 L11, C16, C17	0 $\Omega$ chip resistor	0603
R6, R7	3.3 $\Omega$ chip resistor	0603
C1, C5, C10, C15	1000 pF chip capacitor	0603
C2, C8	3.9 pF chip capacitor	0603
C3, C9	8.2 pF chip capacitor	0603
C4, C11	22 pF chip capacitor	0603
C6, C12, C14	100 pF chip capacitor	0603
C7, C13	100 pF chip capacitor	0603
L1	120 nH chip inductor	0603
L2, L6	12 nH chip inductor	0603
L3, L7	22 nH chip inductor	0603
L4, L8	150 nH chip inductor	0603
L5, L9	220 nH chip inductor	0805
C19, C20, C21, C22	Do Not Place	
U1	CV210-1A WJ Converter	QFN

### PCB Layout



Circuit Board Material: .014" FR-4, 4 layers, .062" total thickness

Specifications and information are subject to change without notice

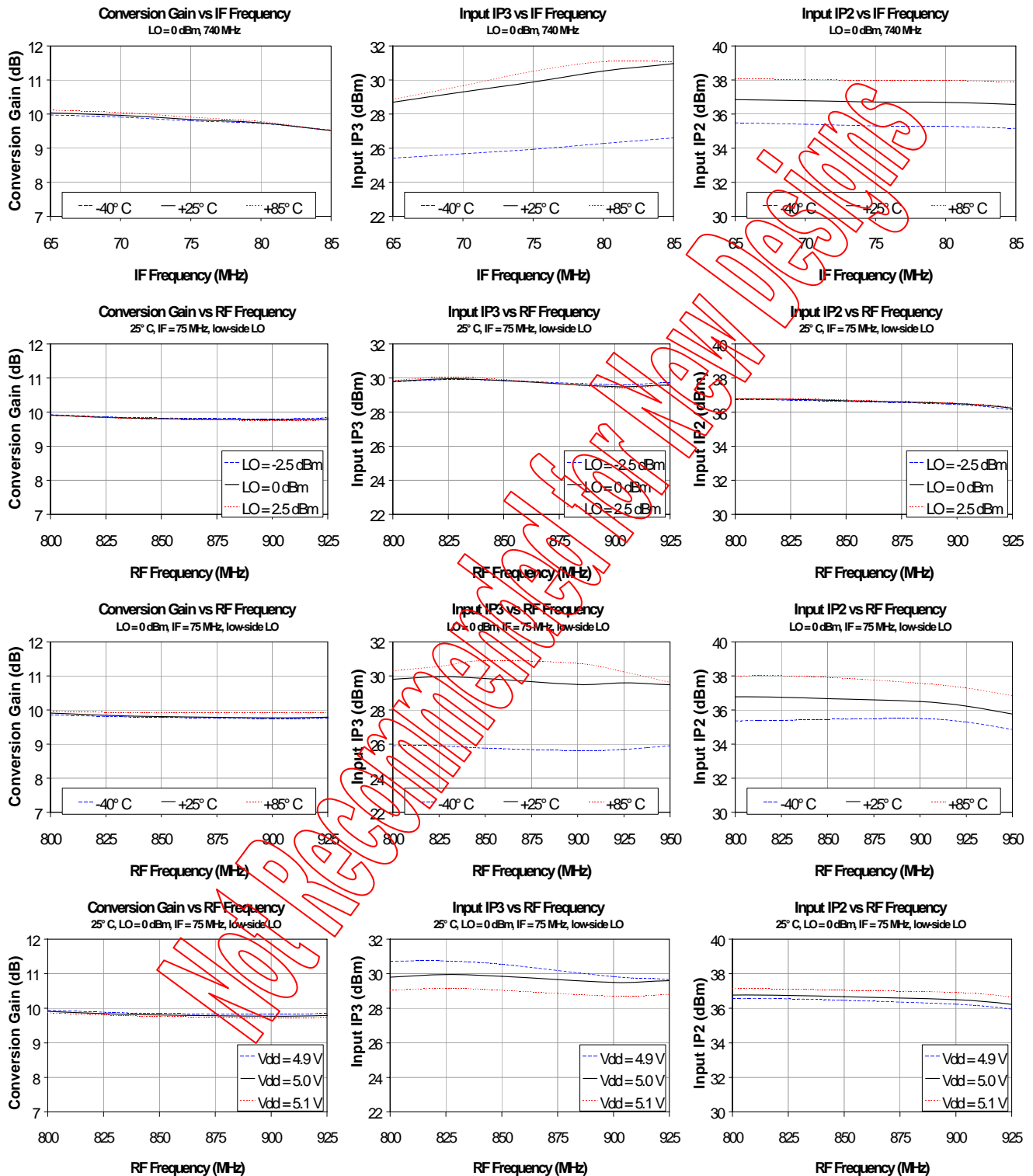


# CV210-1A

Cellular-band Dual-Branch Downconverter



## CV210-1APCB75 Application Circuit Performance Plots



Specifications and information are subject to change without notice

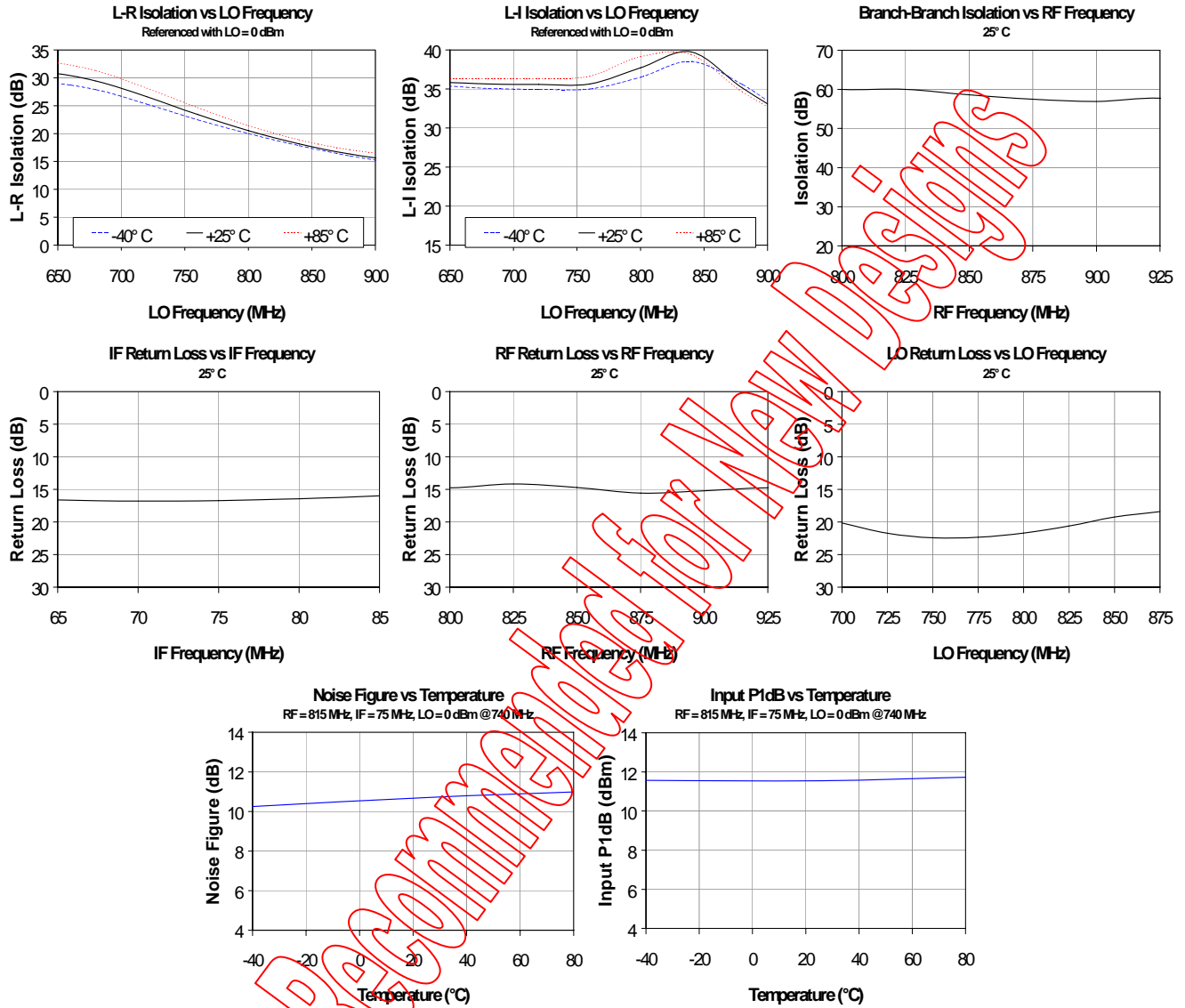


# CV210-1A

Cellular-band Dual-Branch Downconverter



## CV210-1APCB75 Application Circuit Performance Plots (cont'd)

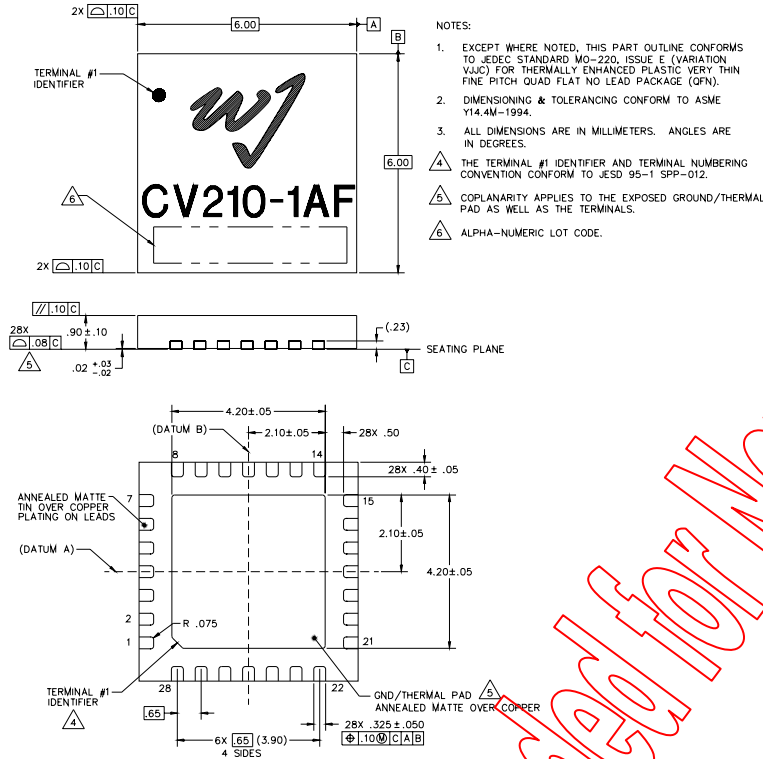


Not Recommended for New Designs

### CV210-1AF Mechanical Information

This package is lead-free/RoHS-compliant. It is compatible with both lead-free (maximum 260°C reflow temperature) and leaded (maximum 245°C reflow temperature) soldering processes. The plating material on the pins is annealed matte tin over copper.

#### Outline Drawing



#### Product Marking

The component will be lasermarked with a "CV210-1AF" product label with an alphanumeric lot code on the top surface of the package.

Tape and reel specifications for this part will be located on the website in the "Application Notes" section.

#### ESD / MSL Information

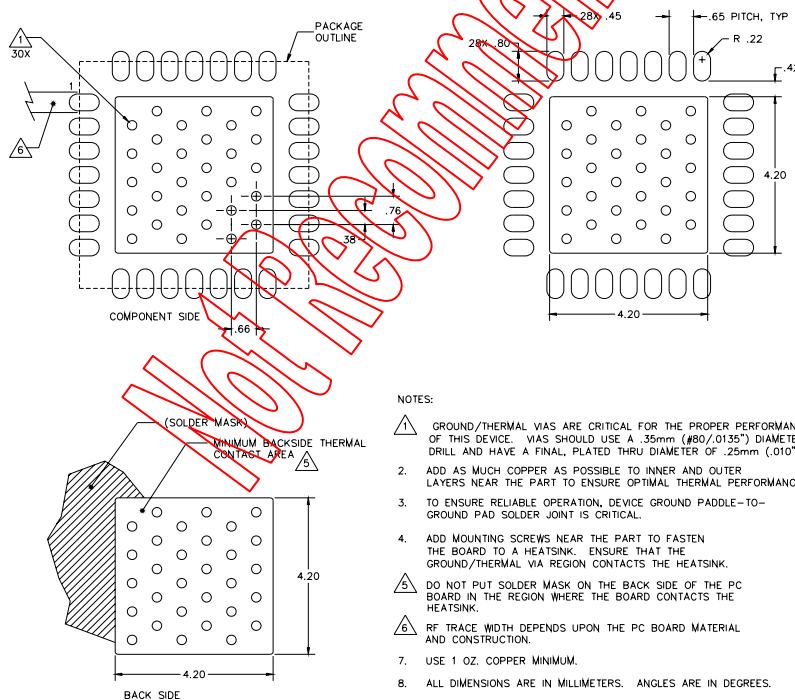
**Caution!** ESD sensitive device.

ESD Rating: Class IB  
Value: Passes ≥ 500V to <1000V  
Test: Human Body Model (HBM)  
Standard: JEDEC Standard JESD22-A114

ESD Rating: Class III  
Value: Passes ≥ 500V to <1000V  
Test: Charged Device Model (CDM)  
Standard: JEDEC Standard JESD22-C101

MSL Rating: Level 2 at +260°C convection reflow  
Standard: JEDEC Standard J-STD-020

#### Mounting Configuration / Land Pattern



#### Functional Pin Layout

Pin	FUNCTION	Pin	FUNCTION
1	No Connect	15	No Connect
2	GND	16	GND
3	LO Amp Bias	17	LO input
4	GND	18	GND
5	No Connect	19	No Connect
6	GND	20	GND
7	No Connect	21	+5 V
8	GND	22	GND
9	Channel 2 Mixer IF/RF Port (goes to diplexer)	23	Channel 1 IF Amp Output / Bias
10	GND	24	GND
11	Channel 2 IF Amp Input	25	Channel 1 IF Amp Input
12	GND	26	GND
13	Channel 2 IF Amp Output / Bias	27	Channel 2 Mixer IF/RF Port (goes to diplexer)
14	GND	28	GND

Specifications and information are subject to change without notice