

**PLEASE CHECK WWW.MOLEX.COM FOR LATEST PART INFORMATION**

**Part Number:** [0676433911](#)  
**Status:** **Active**  
**Description:** Universal Serial Bus (USB) Shielded I/O Receptacle, Right Angle, Type A, High-Temperature White Nylon, 0.76µm (30µ") Gold (Au) Plating, PCB Thickness 1.60mm (.063"), without Upper Flange, for IR Reflow Process, Lead Free

**Documents:**

[3D Model](#) [Product Specification PS-67643-002 \(PDF\)](#)  
[Drawing \(PDF\)](#) [RoHS Certificate of Compliance \(PDF\)](#)

**General**

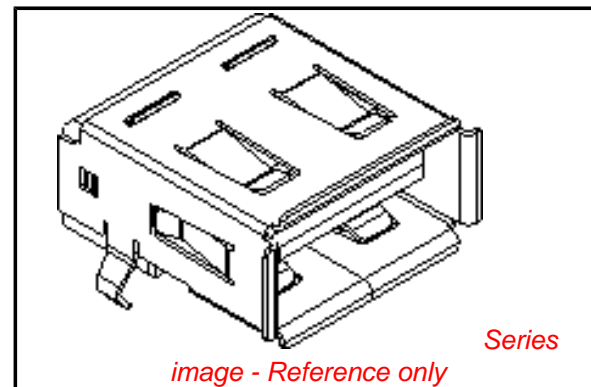
Product Family	I/O Connectors
Series	<a href="#">67643</a>
Application	Wire-to-Board
Comments	Without Upper Flange For IR Reflow Process
Component Type	Receptacle
Product Name	USB
Type	A

**Physical**

Boot Color	N/A
Circuits (Loaded)	4
Circuits (maximum)	4
Gender	Receptacle
Keying to Mating Part	Yes
Lock to Mating Part	Yes
Material - Plating Mating	Gold
Material - Plating Termination	Tin
Number of Rows	1
Orientation	Right Angle
PC Tail Length (in)	0.102 In
PC Tail Length (mm)	2.60 mm
PCB Locator	Yes
PCB Retention	Yes
PCB Thickness Recommended (in)	0.062 In
PCB Thickness Recommended (mm)	1.60 mm
Packaging Type	Tray
Panel Mount	Yes
Pitch - Mating Interface (in)	0.079 In, 0.098 In
Pitch - Mating Interface (mm)	2.00 mm, 2.50 mm
Pitch - Term. Interface (in)	0.079 In, 0.098 In
Pitch - Term. Interface (mm)	2.00 mm, 2.50 mm
Plating min: Mating (µin)	30
Plating min: Mating (µm)	0.76
Polarized to Mating Part	Yes
Polarized to PCB	Yes
Ports	1
Surface Mount Compatible (SMC)	Yes
Temperature Range - Operating	-40°C to +85°C
Termination Interface: Style	Through Hole
Waterproof / Dustproof	No

**Electrical**

Current - Maximum per Contact	1.5A
Shield Type	Full Shield
Shielded	Yes



**EU RoHS**

**ELV and RoHS  
Compliant**  
**REACH SVHC**  
 Not Reviewed  
**Halogen-Free  
Status**

**China RoHS**



**Need more information on product  
environmental compliance?**

Email [productcompliance@molex.com](mailto:productcompliance@molex.com)  
 For a multiple part number RoHS Certificate of Compliance, [click here](#)

Please visit the [Contact Us](#) section for any non-product compliance questions.

**Search Parts in this Series**

[67643Series](#)

**Mates With**

USB Type A Plug

Voltage - Maximum 30V DC

**Solder Process Data**

Lead-free Process Capability  
Process Temperature max. C

SMC & Wave Capable (TH only)  
260

**Material Info**

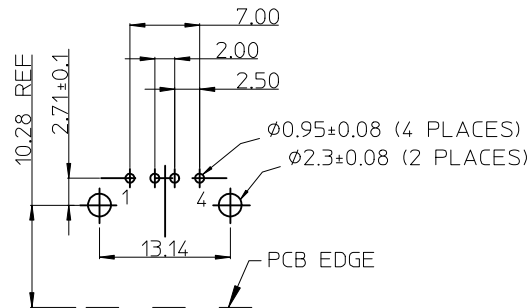
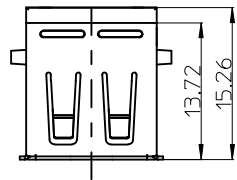
**Reference - Drawing Numbers**

Product Specification  
Sales Drawing

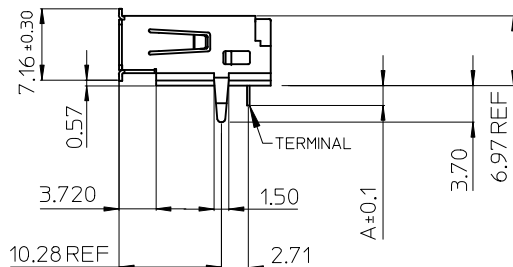
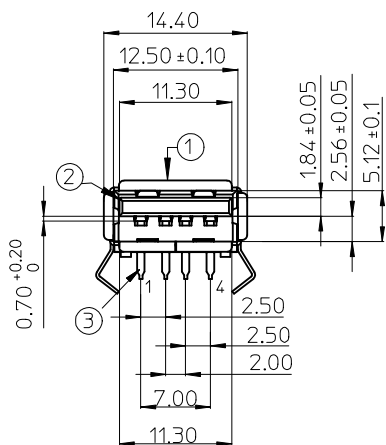
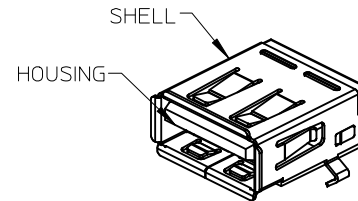
PS-67643-002  
SD-67643-003

This document was generated on 04/01/2010

**PLEASE CHECK [WWW.MOLEX.COM](http://WWW.MOLEX.COM) FOR LATEST PART INFORMATION**



PCB LAYOUT (TOP VIEW)



NOTES:

1. MATERIAL:

- ① METAL SHELL: COPPER ALLOY.
- ② HOUSING: SEE CHART, 30% GLASS FIBER FILLED, UL94-V0.
- ③ TERMINAL: PHOSPHOR BRONZE

2. TERMINAL:

- CONTACT AREA: (a) GOLD FLASH.
- (b) GOLD (Au), THICKNESS=30 MICROINCH MINIMUM.
- SOLDER TAIL: TIN PLATED, THICKNESS=75 MICROINCH MINIMUM.
- UNDER PLATED: NICKEL (Ni), THICKNESS=50 MICROINCH MINIMUM.
- METAL SHELL: SEE CHART.

3. RECOMMENDED PCB THICKNESS: SEE CHART

4. PRODUCT SPECIFICATION: FOR IR REFER TO PS-67643-002

FOR NON IR REFER TO PS-67643-003

5. TORQUE FORCE SPEC: 2.50kg-cm Min, MEASURED AT BROKEN POINT.

6. TEST SUMMARY: FOR IR REFER TO TS-67643-002

FOR NON IR REFER TO TS-67643-003

7. PACKAGE: REFER TO PK-67643-002

8. LEAD FREE AND ROHS COMPLIANT PRODUCT

REVISED EC NO: D DRAWN: YPWU CHKD: APPR:	DESCRIPTION 2009/08/28	QUALITY SYMBOLS ▽=0 ▽=0	GENERAL TOLERANCES (UNLESS SPECIFIED)		DIMENSION STYLE MM ONLY		SCALE 1:1	DESIGN UNITS METRIC	THIRD ANGLE PROJECTION	
			4 PLACES ± --- ± --- 3 PLACES ± --- ± --- 2 PLACES ± 0.25 ± --- 1 PLACE ± 0.25 ± ---	mm INCH	DRAWN BY IVY-LIN DATE 2005/03/31	TITLE USB A TYPE RCPT SINGLE RA THROUGH HOLE W/OFLG (LEAD-FREE VERSION)				
			ANGULAR ± 3 °	DRAFT WHERE APPLICABLE MUST REMAIN WITHIN DIMENSIONS	CHECKED BY ALL IN DATE 2005/03/31	MOLEX MOLEX INCORPORATED				
			APPROVED BY WWSCHANG DATE 2005/03/31	MATERIAL NO. SEE SHEET 2	DOCUMENT NO. SD-67643-003	SHEET NO. 1 OF 2				
			THIS DRAWING CONTAINS INFORMATION THAT IS PROPRIETARY TO MOLEX INCORPORATED AND SHOULD NOT BE USED WITHOUT WRITTEN PERMISSION							

7

6

5

4

3

2

1

P/N	HOUSING MATERIAL	COLOR	CONTACT PLATING	METAL SHELL PLATING	REMARK	
67643-0910	POLYESTER	BLACK	GOLD FLASH	IR REFLOW PROCESS MATTE TIN PLATED AT SOLDER AREA THICKNESS=100 MICROINCH MINIMUM UNDER PLATE:NICKEL (Ni),(SOLDERING AVAILABLE)	NON IR	
67643-1910	POLYESTER	WHITE			REFLOW PROCESS	
67643-2910	HIGH TEMPERATURE NYLON	BLACK			FOR IR	
67643-3910	HIGH TEMPERATURE NYLON	WHITE			REFLOW PROCESS	
67643-0911	POLYESTER	BLACK	GOLD PLATING 30 MICROINCH		NON IR REFLOW PROCESS: MATTE TIN PLATED. THICKNESS=80 MICROINCH MINIMUM UNDER PLATE:NICKEL (Ni).	NON IR
67643-1911	POLYESTER	WHITE				REFLOW PROCESS
67643-2911	HIGH TEMPERATURE NYLON	BLACK				FOR IR
67643-3911	HIGH TEMPERATURE NYLON	WHITE				REFLOW PROCESS
PCB THICKNESS		1.60±0.05				
DIMENSION "A"		2.60				

P/N	HOUSING MATERIAL	COLOR	CONTACT PLATING	METAL SHELL PLATING	REMARK	
67643-0930	HIGH TEMPERATURE NYLON	BLACK	GOLD FLASH	FOR IR REFLOW PROCESS MATTE TIN PLATED AT SOLDER AREA THICKNESS=100 MICROINCH MINIMUM UNDER PLATE:NICKEL (Ni),(SOLDERING AVAILABLE)	FOR IR	
67643-1930	HIGH TEMPERATURE NYLON	WHITE			REFLOW PROCESS	
67643-0931	HIGH TEMPERATURE NYLON	BLACK	GOLD PLATING 30 MICROINCH			
67643-1931	HIGH TEMPERATURE NYLON	WHITE				
PCB THICKNESS		1.20±0.05				
DIMENSION "A"		2.00				

REVISED ECT NO: D DRWN:YPU CHKD: APPR:	DESCRIPTION REV	QUALITY SYMBOLS ▽=0 ◻=0	GENERAL TOLERANCES (UNLESS SPECIFIED)		DIMENSION STYLE MM ONLY		SCALE 1:1	DESIGN UNITS METRIC	THIRD ANGLE PROJECTION		
				mm	INCH	DRAWN BY IVY-LIN	DATE 2005/03/31	TITLE USB A TYPE RCPT SINGLE RA THROUGH HOLE W/OFLG (LEAD-FREE VERSION)			
			4 PLACES	± ---	± ---	CHECKED BY ALL IN	DATE 2005/03/31				
			3 PLACES	± ---	± ---	APPROVED BY WWSCHANG	DATE 2005/03/31	molex MOLEX INCORPORATED DOCUMENT NO. SD-67643-003 SHEET NO. 2 OF 2			
			2 PLACES	± 0.25	± ---	MATERIAL NO.					
1 PLACE	± 0.25	± ---	DRAFT WHERE APPLICABLE MUST REMAIN WITHIN DIMENSIONS		SEE TABLE						

6

5

4

3

2

1