

KESTREL/POK/BE/RE

Polyester enclosures



The Kestrel range of glass fibre reinforced polyester enclosures are a high quality solution for intermediate electrical connections. The enclosures are suitable for applications where corrosion resistance, impact resistance and a high protection class are important.

The enclosures are available in

Grey: POK

Blue: BE

Red: RE

Technical Data		
Material	Glass fibre reinforced polyester (GRP)	
Finish	POK	Natural Grey (similar to RAL7001)
	BE	Blue
	RE	Red
Gasket	Silicon Rubber	
Lid Fixing	Sizes 1,2, 3, 31,32	4 stainless steel +/- head screws M4
	Sizes 4 to 12	4 stainless steel +/- head screws M6
Enclosure Mounting	Sizes 1, 2, 3, 31, 32	4 holes, M4
	Sizes 4 to 12	4 holes, M6
Protection Class	IP68 to EN 60529	
Impact Resistance	All versions	7 Nm
Temperature Range	All versions	-40°C to +130°C
Flammability	All versions	UL94 V-O
Toxicity	All versions	Halogen and cadmium free
Special versions		
Finish	POK	Special paint colours available
Electromagnetic compatibility	Shielded for EMC applications	
Approvals		
GL		

POK also available for EX applications

Kestrel Range Ordering Information

Ordering Information										
Height mm	75		75		75		75		75	
Width mm	80		110		160		190		230	
Depth mm	61		61		61		61		61	
Kg	0.35		0.4		0.497		0.535		0.695	
	Type	Cat. No.	Type	Cat. No.	Type	Cat. No.	Type	Cat. No.	Type	Cat. No.
	POK1	127720 •	POK2	127730 •	POK3	127740 •	POK31	156540 •	POK32	951051 •
	BE1	951073	BE2	951074 •	BE3	951075	BE31	951076	BE32	951077
	RE1	951460	RE2	951461 •	RE3	951462	RE31	951463	RE32	951464

Height mm	120		120		160		160		160	
Width mm	125		220		160		260		360	
Depth mm	90		95		95		95		95	
Kg	0.850		1.06		1.13		1.71		2.15	
	Type	Cat. No.	Type	Cat. No.	Type	Cat. No.	Type	Cat. No.	Type	Cat. No.
	POK4	127750 •	POK5	127760 •	POK51	156541 •	POK6	127770 •	POK7	127780 •
	BE4	951078 •	BE5	951079	BE51	951080 •	BE6	951081 •	BE7	951082
	RE4	951465 •	RE5	951466	RE51	951467 •	RE6	951468 •	RE7	951469

Height mm	160		250		250		250		405	
Width mm	560		255		400		600		400	
Depth mm	95		125		125		125		125	
Kg	3.713		2.65		3.375		5.83		5.58	
	Type	Cat. No.	Type	Cat. No.	Type	Cat. No.	Type	Cat. No.	Type	Cat. No.
	POK71	951052 •	POK8	156542 •	POK9	156543 •	POK91	951047 •	POK10	156544 •
	BE71	951083	BE8	951084 •	BE9	951085 •	BE91	951086	BE10	951087
	RE71	951470	RE8	951471 •	RE9	951472 •	RE91	951473	RE10	951474

Height mm	250		250	
Width mm	255		400	
Depth mm	165		165	
Kg	3.92		5.056	
	Type	Cat. No.	Type	Cat. No.
	POK11	951053 •	POK12	951054 •
	BE11	951088	BE12	951089
	RE11	951475	RE12	951476



Accessories for Kestrel Range

Mounting Plates					
Manufactured in zinc coated mild steel					
Type	Cat. No.	Type	Cat. No.	Type	Cat. No.
Kestrel Size 1 MP	951057	Kestrel Size 5 MP	951060	Kestrel Size 9 MP	951065
Kestrel Size 2 MP	951058	Kestrel Size 51 MP	951061	Kestrel Size 91 MP	951066
Kestrel Size 3 MP	951069	Kestrel Size 6 MP	951062	Kestrel Size 10 MP	951067
Kestrel Size 31 MP	951069	Kestrel Size 7 MP	951063	Kestrel Size 11 MP	951064
Kestrel Size 32 MP	951070	Kestrel Size 71 MP	951071	Kestrel Size 12 MP	951065
Kestrel Size 4 MP	951059	Kestrel Size 8 MP	951064		



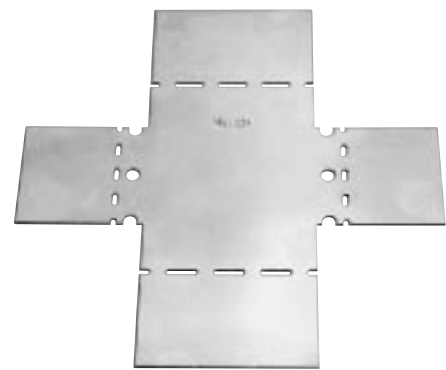
Earth Bars					
To fit type	Horizontal Bar	Vertical Bar	To fit type	Horizontal Bar	Vertical Bar
Kestrel Size 4	951120	951116	Kestrel Size 8	951126	951118
Kestrel Size 5	951121	951116	Kestrel Size 9	951127	951118
Kestrel Size 51	951123	951117	Kestrel Size 91	951128	951118
Kestrel Size 6	951123	951117	Kestrel Size 10	951127	951119
Kestrel Size 7	951124	951117	Kestrel Size 11	951126	951118
Kestrel Size 71	951125	951117	Kestrel Size 12	951127	951118

Kestrel Accessories (contd.)



Stand off pillars		
Type	Length (mm)	Cat. No.
SP15 (set of 4)	15	389610 •
SP20 (set of 4)	20	389620 •
SP30 (set of 4)	30	389630 •

Mounting feet		
Type	To fit enclosure size	Cat. No.
MF5	1, 2, 3, 31, 32	951090
MF6	All other sizes	951091



Hinge		
Type	Cat. No.	
POK/BE/RE hinge	158036	
Enclosure Size	Number of hinges per side	
	Sides A & B	Sides C & D
1	1	1
2	1	1
3	1	1
31	1	1
32	2	1
4	2	1
5	2	1
51	2	2
6	2	2
7	2	2
71	2	2
8	2	2
9	2	1
91	2	1
10	1	1
11	2	1
12	2	2

Brass earth continuity plates		
Suitable to fit enclosure size	Cat. No.	
1	951099	
2	951100	
3	951101	
31	951102	
32	951103	
4	951104	
5	951105	
51	951106	
6	951107	
7	951108	
71	951109	
8	951110	
9	951111	
91	951112	
10	951113	
11	951110	
12	951111	

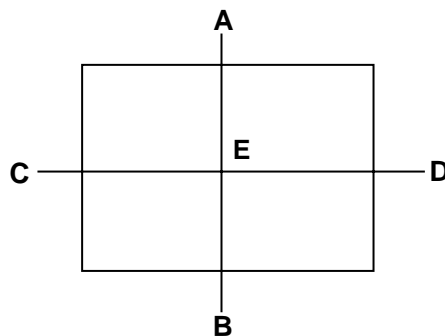
Kestrel Gland/Entry details

	Enclosure Size		1		2		3		31		32		4	
	Sides	A/B	C/D	A/B	C/D	A/B	C/D	A/B	C/D	A/B	C/D	A/B	C/D	
M16		2	1	4	1	6	1	8	1	4	1	8	6	
M20		1	-	2	-	3	-	4	-	2	-	2	1	
M25		-	-	-	-	-	-	-	-	-	-	2	1	
M32		-	-	-	-	-	-	-	-	-	-	1	1	
M40		-	-	-	-	-	-	-	-	-	-	-	-	
M50		-	-	-	-	-	-	-	-	-	-	-	-	
Pg7		4	2	6	1	12	1	16	1	14	1	12	6	
Pg9		2	1	4	1	8	1	8	1	6	1	8	6	
Pg11		2	1	3	1	5	1	6	1	6	1	6	4	
Pg13.5		-	2	3	1	4	1	6	1	6	1	5	3	
Pg16		1	-	2	1	4	1	5	1	6	1	3	2	
Pg21		-	-	1	-	3	-	3	-	5	-	2	1	
Pg29		-	-	-	-	-	-	-	-	-	-	2	1	

	Enclosure Size		5		51		6		7		71		8	
	Sides	A/B	C/D	A/B	C/D	A/B	C/D	A/B	C/D	A/B	C/D	A/B	C/D	
M16		18	6	12	8	22	8	30	8	43	8	44	32	
M20		6	1	3	2	7	2	9	2	18	2	14	10	
M25		4	1	2	2	5	2	6	2	13	2	10	8	
M32		3	1	2	1	4	1	5	1	9	1	4	3	
M40		-	-	-	-	-	-	-	-	-	-	3	2	
M50		-	-	-	-	-	-	-	-	-	-	2	2	
Pg7		27	6	18	8	33	8	42	8	87	8	44	25	
Pg9		14	6	14	8	18	8	29	8	52	8	34	25	
Pg11		14	4	9	6	14	6	24	6	40	6	30	21	
Pg13.5		10	3	8	6	14	6	20	4	38	4	21	18	
Pg16		6	2	6	4	10	3	14	3	34	3	18	14	
Pg21		4	1	3	2	5	2	9	2	18	2	10	8	
Pg29		3	1	2	1	4	2	6	2	11	2	5	4	
Pg36		-	-	2	1	3	1	5	1	8	1	4	3	
Pg42		-	-	1	1	3	1	4	1	8	1	3	1	

	Enclosure Size		9		91		10		11		12	
	Sides	A/B	C/D	A/B	C/D	A/B	C/D	A/B	C/D	A/B	C/D	
M16		64	32	88	28	64	58	51	45	99	45	
M20		22	10	28	8	22	18	22	16	42	16	
M25		16	8	24	6	16	16	15	11	24	11	
M32		7	3	12	3	7	6	8	6	21	6	
M40		5	2	8	2	5	5	6	4	10	4	
M50		4	2	6	2	4	4	3	2	6	2	
Pg7		80	25	120	25	80	42	113	84	212	84	
Pg9		50	25	96	25	50	42	67	45	123	45	
Pg11		38	18	78	18	38	34	48	35	93	35	
Pg13.5		36	18	54	18	36	32	40	30	70	30	
Pg16		30	14	42	14	30	24	33	24	63	24	
Pg21		17	8	24	8	17	16	18	16	38	16	
Pg29		8	4	16	4	8	8	11	8	20	8	
Pg36		6	3	8	3	6	5	7	6	12	6	
Pg42		6	1	8	1	5	2	6	3	10	3	

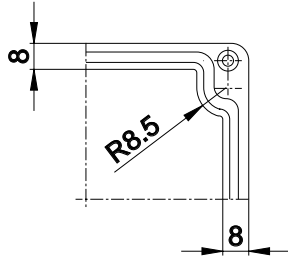
Enclosure side identification



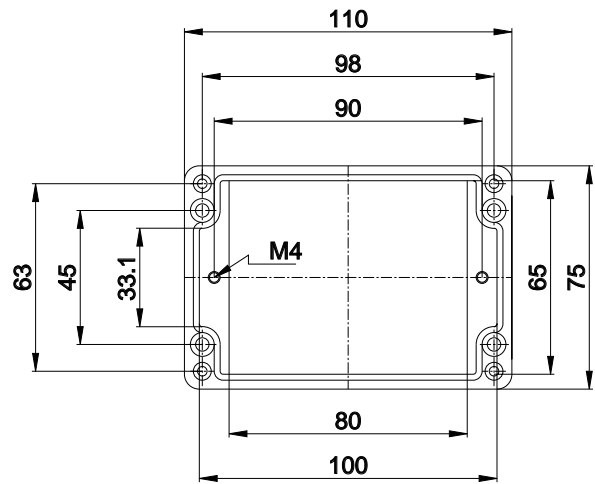
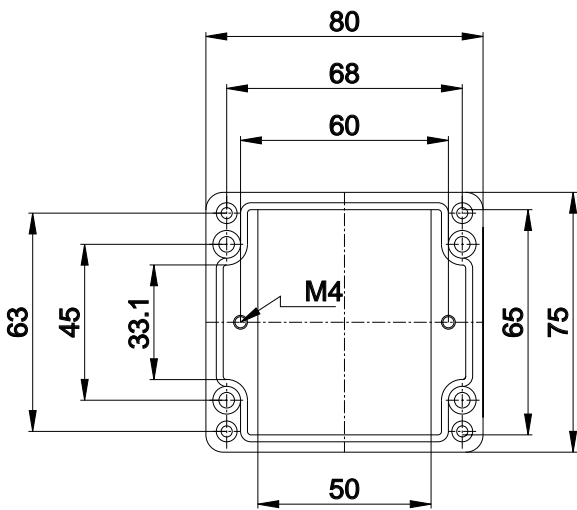
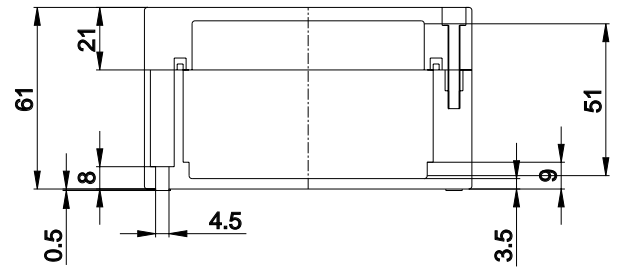
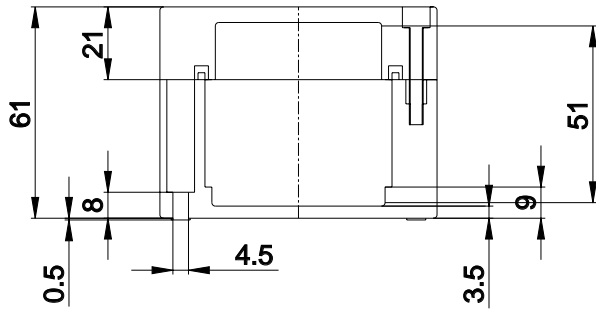
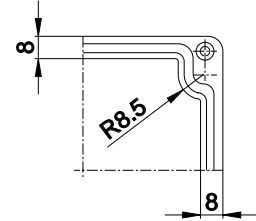
- A: Top
- B: Bottom
- C: Left
- D: Right
- E: Base

Dimensional Details

POK 1

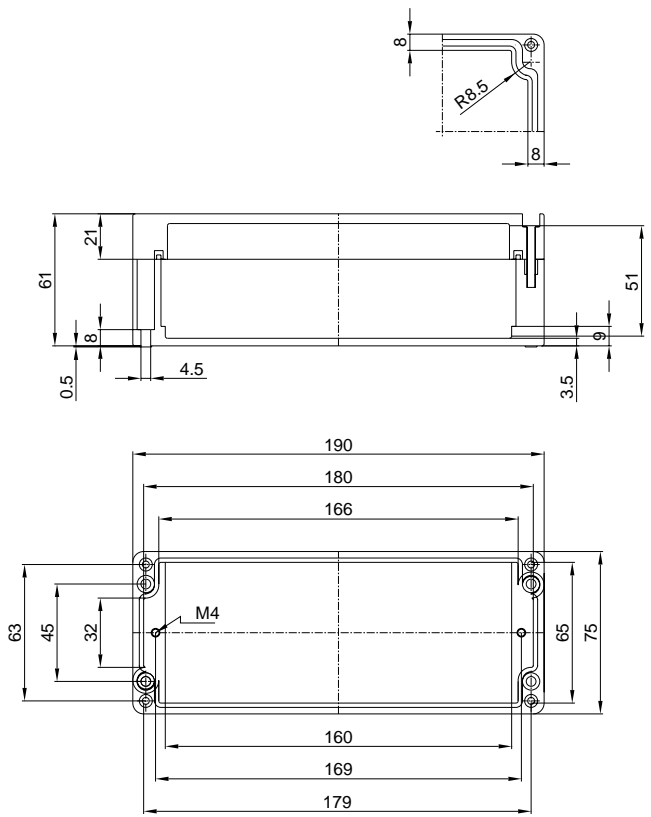
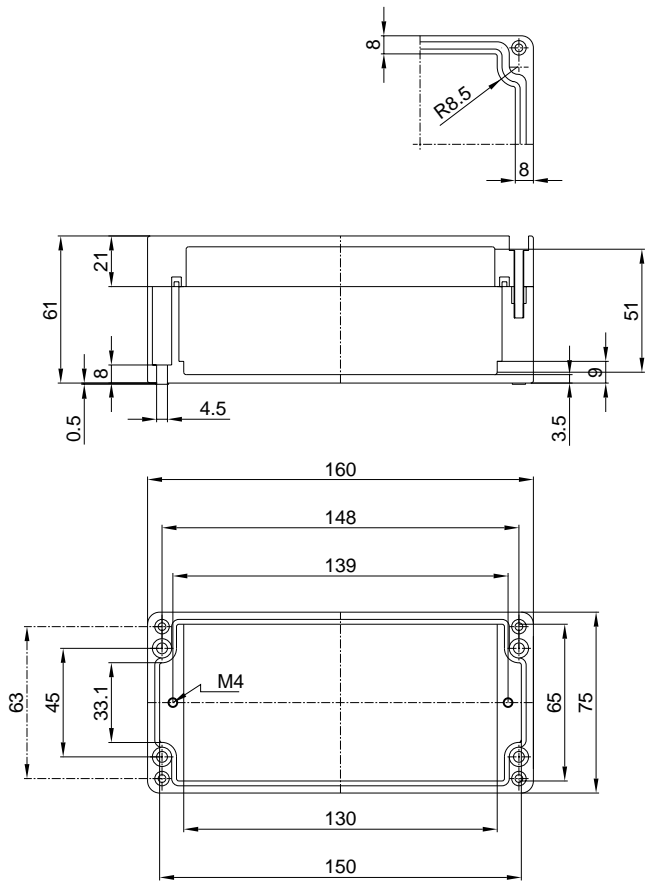


POK 2

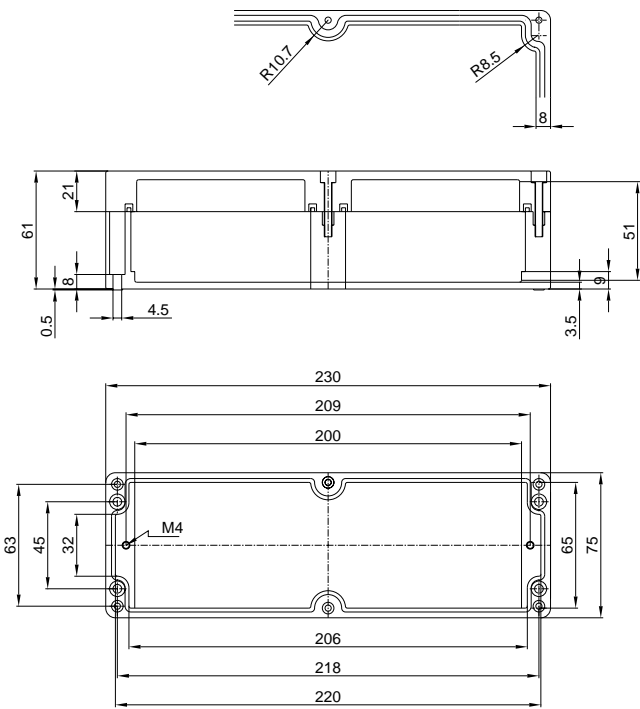


POK 3

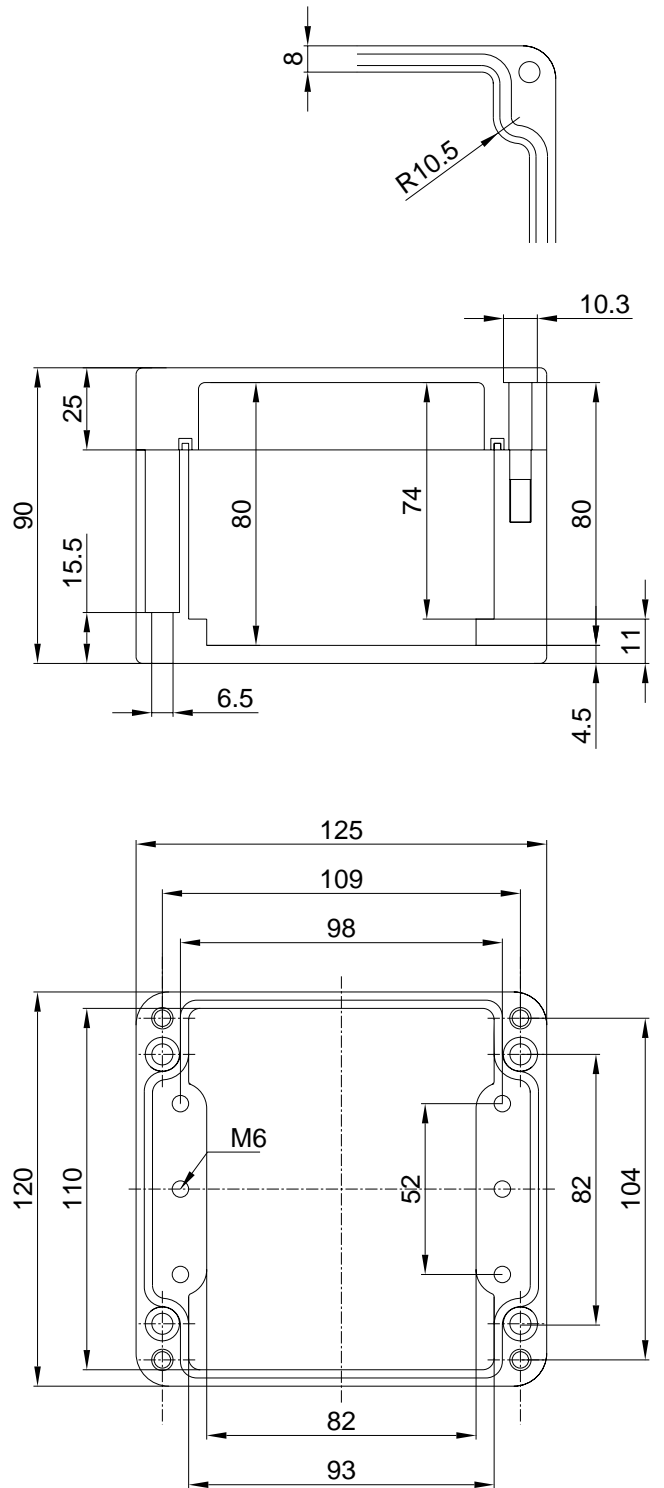
POK 31



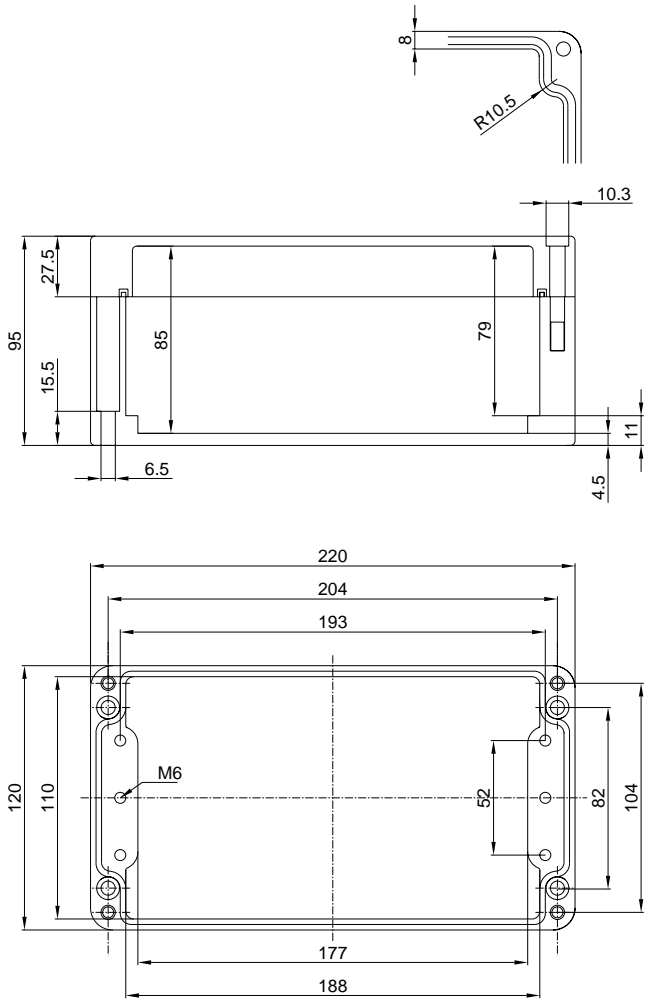
POK 32



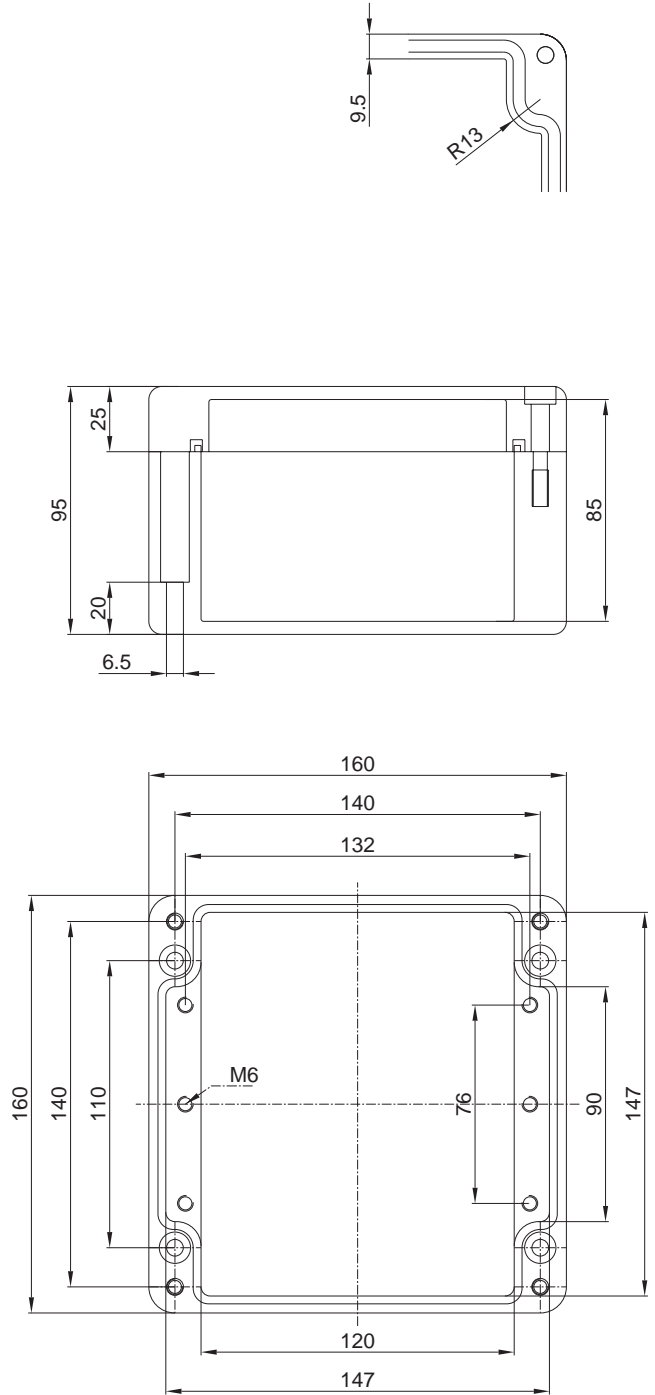
POK 4



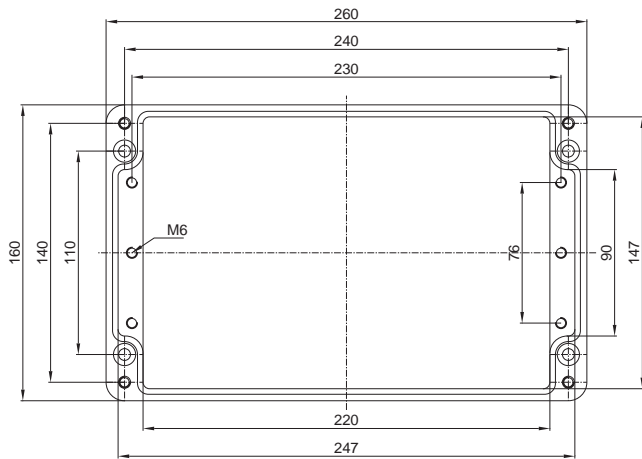
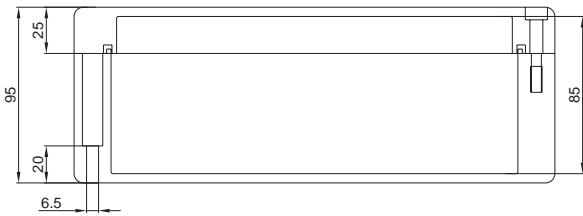
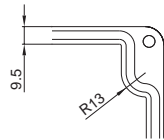
POK 5



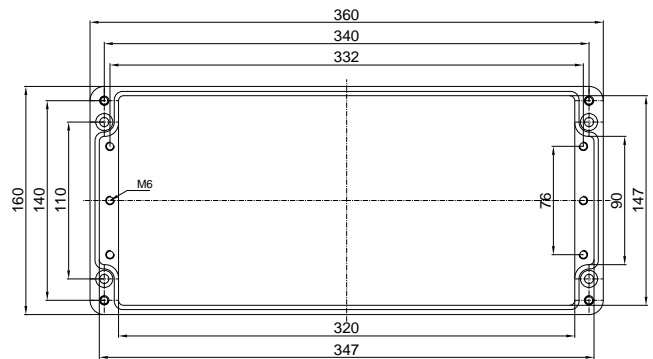
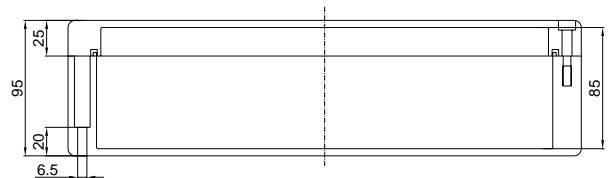
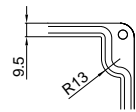
POK 51



POK 6

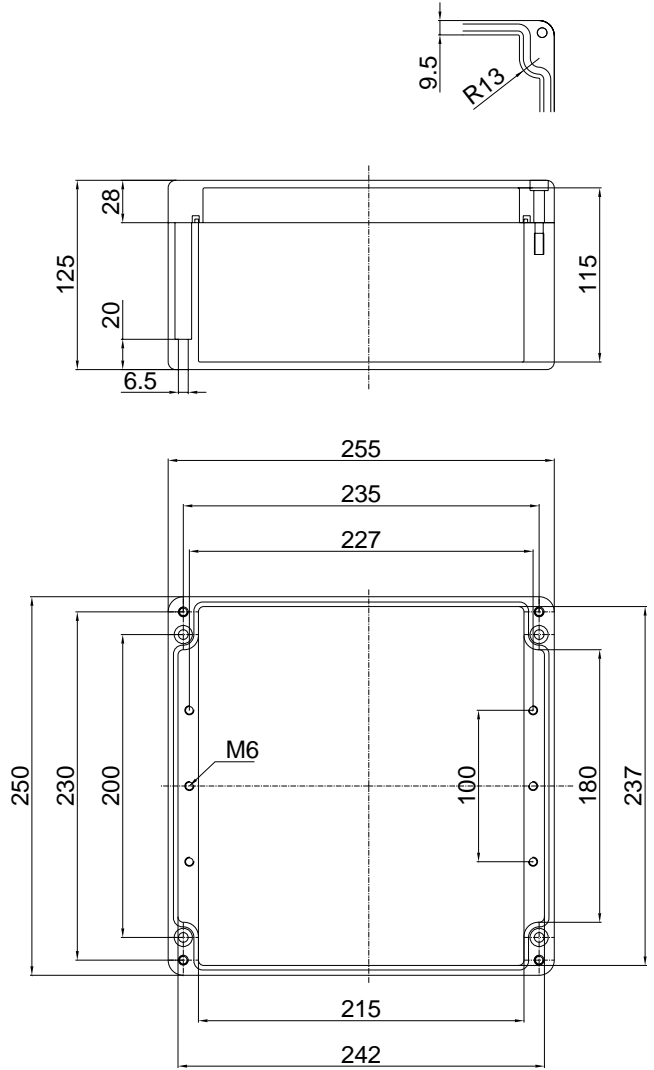
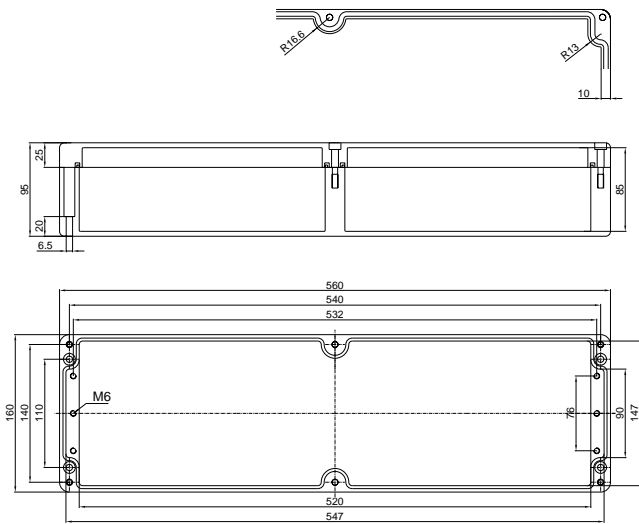


POK 7



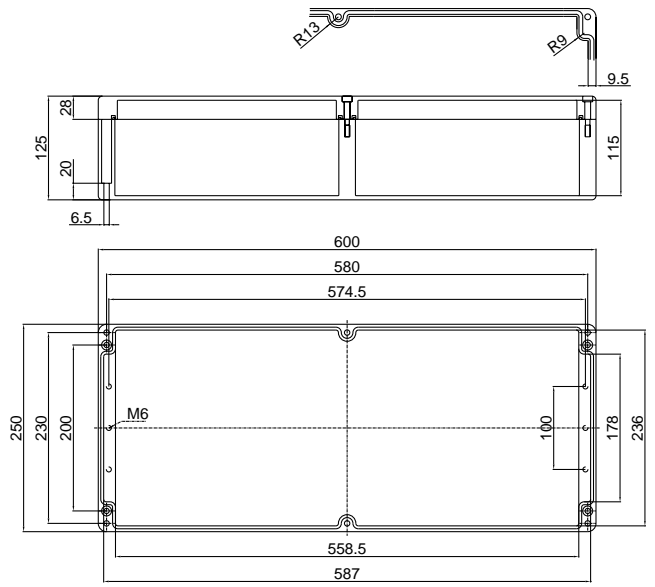
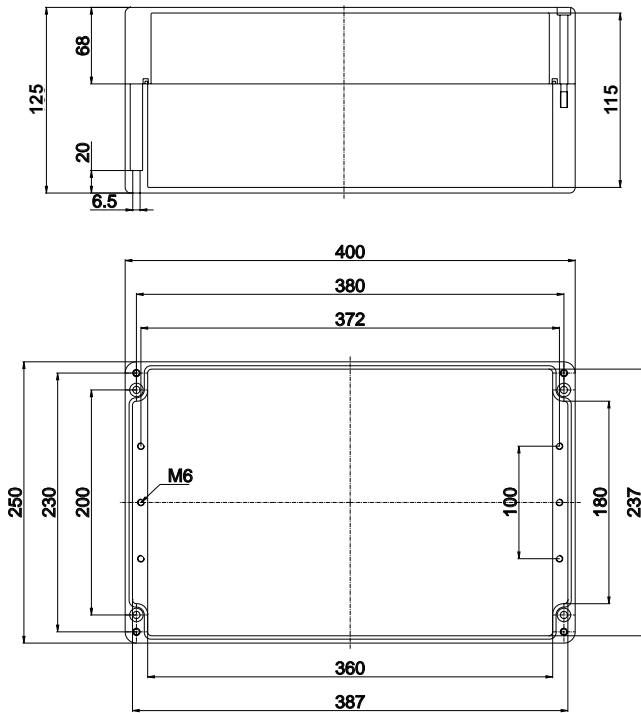
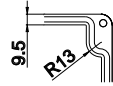
POK 71

POK 8



POK 9

POK 91



POK 12

